

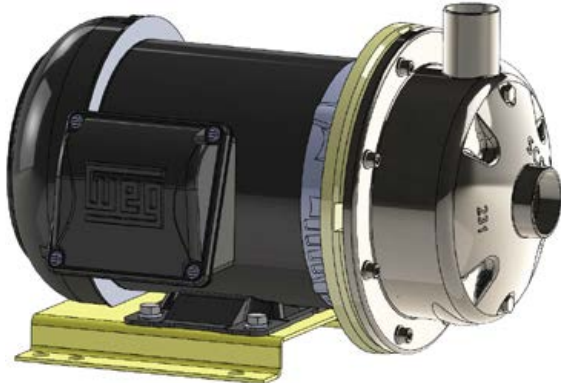


A WILO COMPANY

# MOTORPUMP™ — 3500 RPM

304SS, 60 Hz, 1.25 X 1 X 6.3 NPT

# 331 J56



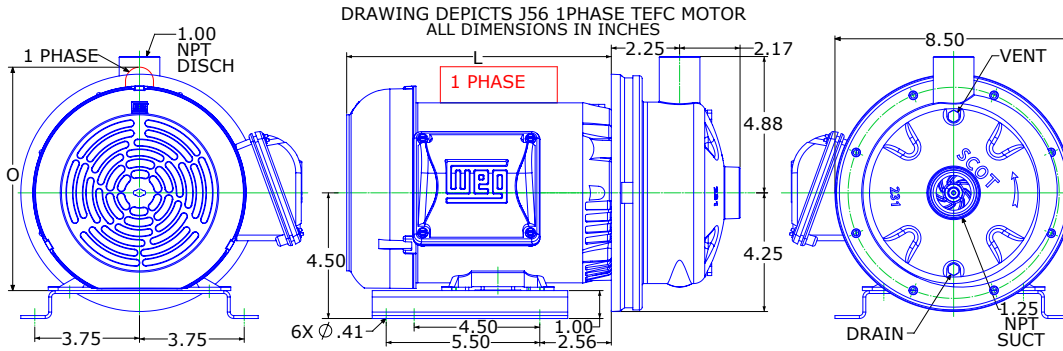
\*Pump to be installed only in the horizontal position as shown.



Drinking Water System Component  
NSF/ANSI 61  
ALSO CLFD IN ACCORDANCE WITH NSF/ANSI 372  
MH63154

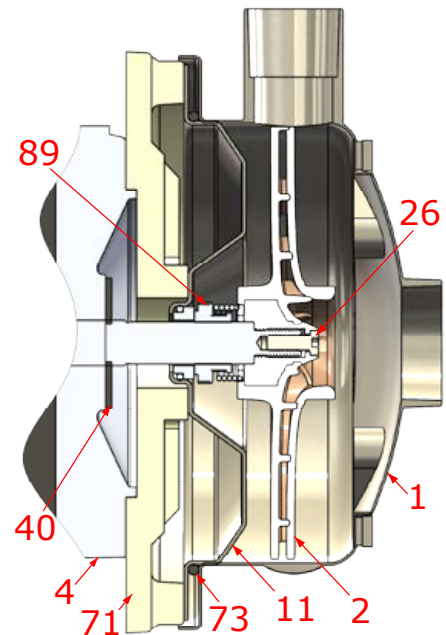
Motor Dimensions NEMA J56 Frame 3500 RPM							
HP	Type	3 Phase			1 Phase		
		L	O	AB	L	O	AB
0.5	ODP	8.26	6.46	3.32	9.06	8.37	3.25
0.75	ODP	8.65	6.46	3.32	9.56	8.37	3.25
1.0	ODP	8.65	6.46	3.32	9.81	8.37	3.25
1.5	ODP	9.04	6.46	3.32	10.31	8.37	3.25
2.0	ODP	9.44	6.46	3.32	10.31	8.37	3.25
3.0	ODP	10.22	6.46	3.32	10.84	8.37	3.25
5.0	ODP	11.37	6.50	3.25	-	-	-
0.5, 0.75	TEFC	9.48	7.33	5.87	9.43	8.10	5.31
1.0	TEFC	10.27	7.33	5.87	10.59	8.10	5.31
1.5	TEFC	11.06	7.33	5.87	10.59	8.10	5.31
2.0	TEFC	11.85	7.33	5.87	11.77	8.10	5.31
3.0	TEFC	13.03	7.33	5.87	12.16	8.10	5.31
5.0	TEFC	15.37	9.22	6.70	-	-	-

5HP 1ph not available. 5HP TEFC has 4.50" rigid base and does not require sub-base. Motors are Standard Efficient with the exception of 5HP ODP and 2-5HP 3 phase TEFC, which are Premium Efficient.



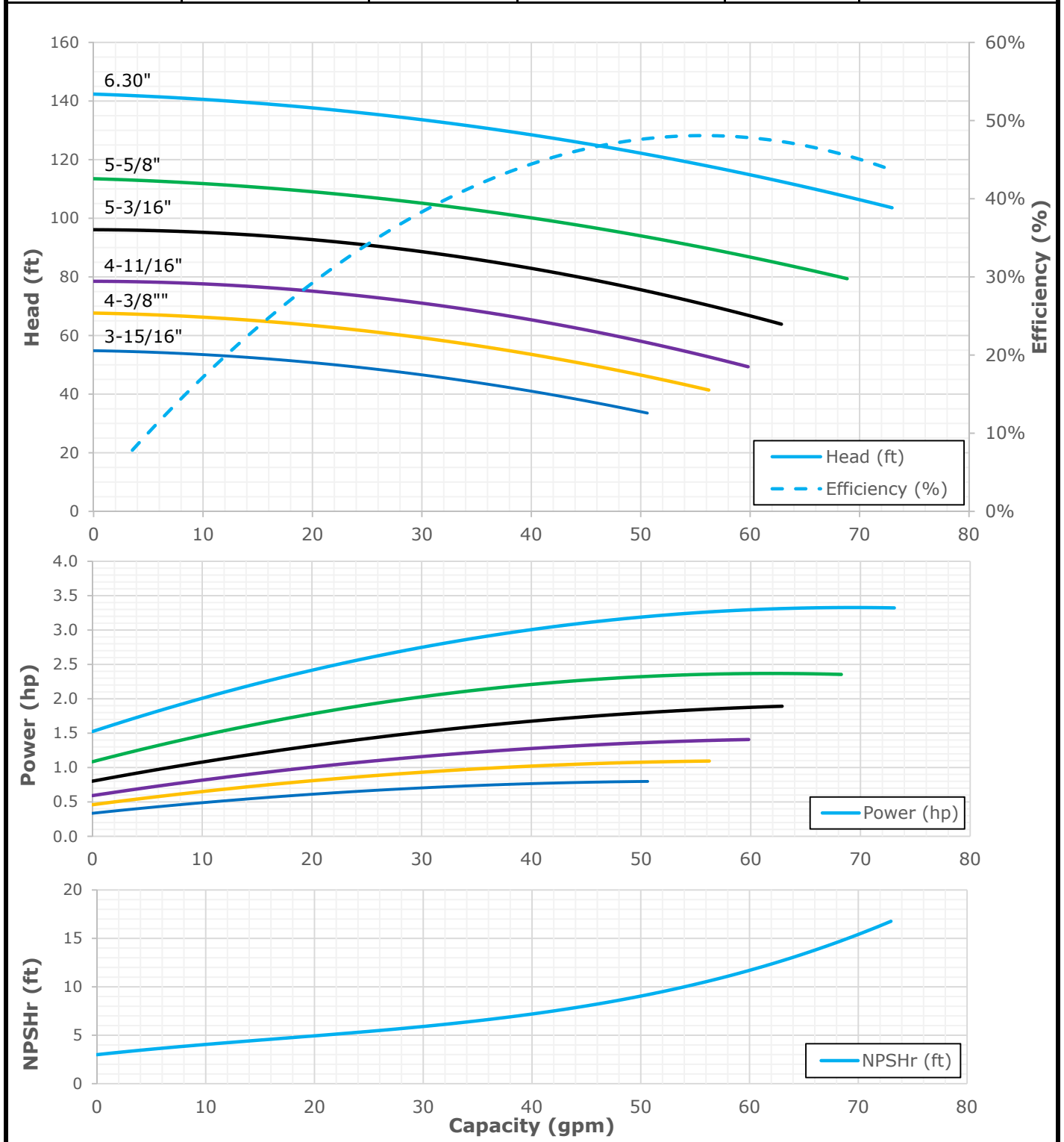
## Construction Options

Key	Part Name	Standard Fitted
1	Case	304SS
2	Impeller	PPS GF
11	Cover	304SS
26	Cap screw, Retainer	304SS
40	Flinger	Neoprene
53	Base	Steel
71	Motor Disc	Cast Iron
73	Gasket, Case	Buna
89	Mech Seal, Type 21 BN-CARB/SIL	Standard



**Performance Curve**

Performance Curve	Pump <b>331</b>	1.00 S.G.	Imp. Type: Enclosed	3500 RPM	Max Sphere: 3/32"
Number: 40.000.783	1.25 X 1.0 X 6.30	70.0 °F	2/20/2020	60 Hz	PEI <sub>CL</sub> 0.98



**Parts**



Key	Part Name	Part Number	
1	Case 331, Stainless, 1.25 X 1.00 NPT	137.001.053	
2	Impeller 330/331, PPS-GF, 3.50 dia, 7/16" Thrd	3301214	
	Impeller 330/331, PPS-GF, 3.75 dia, 7/16" Thrd	3301213	
	Impeller 330/331, PPS-GF, 3.94 dia, 7/16" Thrd	3301206	
	Impeller 330/331, PPS-GF, 4.19 dia, 7/16" Thrd	3301212	
	Impeller 330/331, PPS-GF, 4.25 dia, 7/16" Thrd	3301211	
	Impeller 330/331, PPS-GF, 4.38 dia, 7/16" Thrd	3301205	
	Impeller 330/331, PPS-GF, 4.68 dia, 7/16" Thrd	3301204	
	Impeller 330/331, PPS-GF, 4.75 dia, 7/16" Thrd	3301203	
	Impeller 330/331, PPS-GF, 5.06 dia, 7/16" Thrd	3301202	
	Impeller 330/331, PPS-GF, 5.19 dia, 7/16" Thrd	3301223	
	Impeller 330/331, PPS-GF, 5.31 dia, 7/16" Thrd	3301201	
	Impeller 330/331, PPS-GF, 5.56 dia, 7/16" Thrd	3301199	
	Impeller 330/331, PPS-GF, 5.68 dia, 7/16" Thrd	3301200	
	Impeller 330/331, PPS-GF, 6.06 dia, 7/16" Thrd	3301198	
Impeller 330/331, PPS-GF, Specify dia., 6.30" max, 7/16" Thrd	3301119		
4	Motor chart, J56 3.5" Rigid Base	See Chart	
	Motor chart, J56 4.5" Rigid Base	See Chart	
26*+	Retainer, Cap Screw	137.003.152	
40*	Flinger, Neoprene	104.000.171	
53**	Base, Steel	137.001.130	
71	Motor Disc, Iron	137.001.046	
73*	O-ring, Buna	137.001.121	
89*	Seal, 5/8", Type 21, BN-CARB/SIL with retainer	137.003.140	
	Seal, 5/8", Type 21, EPDM CARB/SIL with retainer	137.003.141	
	Seal, 5/8", Type 21, VN-CARB/SIL with retainer	137.003.142	
	Seal, 5/8", Type 21, VN-SIL/SIL with retainer	137.003.143	
KIT		<b>3 Phase:</b>	<b>1 Phase:</b>
	Repair Kit, 5/8" BN-CARB/SIL Seal	118.000.694	118.000.694.1
	Repair Kit, 5/8" EPDM-CARB/SIL Seal	118.000.694C	118.000.694C.1
	Repair Kit, 5/8" VN-CARB/SIL Seal	118.000.694E	118.000.694E.1
	Repair Kit, 5/8" VN-SIL/SIL Seal	118.000.694F	118.000.694F.1

\* Denotes components included in repair kit.

+ Not required on 1 phase motors.

\*\* Not required on 4.50" rigid base motors

**Motor Charts**

