

MOTOR DIMENSIONS

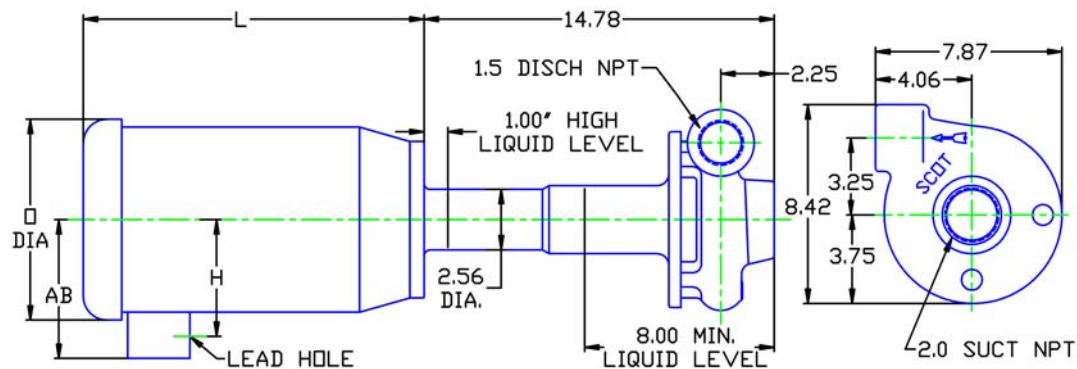
NEMA PREMIUM EFFICIENT TCV FRAME 3500 RPM TEFC

HP	Phase	Frame	L	AB	O	H
2.0	1	TCV145	12.27	5.74	7.19	4.63
2.0	3	TCV145	13.15	5.25	7.19	4.18
3.0	1	TCV145	12.27	5.74	7.19	4.63
3.0	3	TCV145	14.51	5.25	7.19	4.18
5.0	1	TCV184	15.92	6.00	8.54	4.94
5.0	3	TCV184	15.83	6.00	8.60	4.94
7.5	1	TCV215	16.16	7.46	10.34	6.23
7.5	3	TCV215	16.16	7.46	10.34	6.23

Single phase motors are Standard Efficient

D019GTCV184

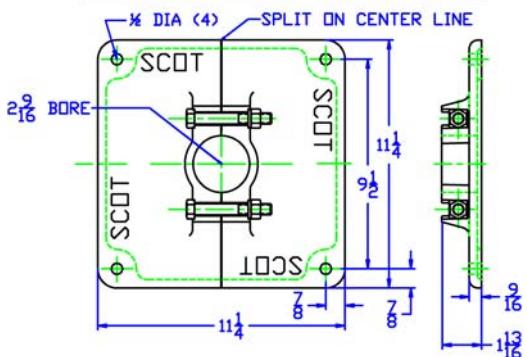
DRAWING DEPICTS 184TCV 5HP 3PHASE TEFC MOTOR



ALL DIMENSIONS IN INCHES.

DRAWING REPRESENTS APPROXIMATE PUMP DIMENSIONS. AUTOCAD DRAWING TO SCALE AVAILABLE FROM FACTORY.

OPTIONAL MOUNTING PLATE MP11



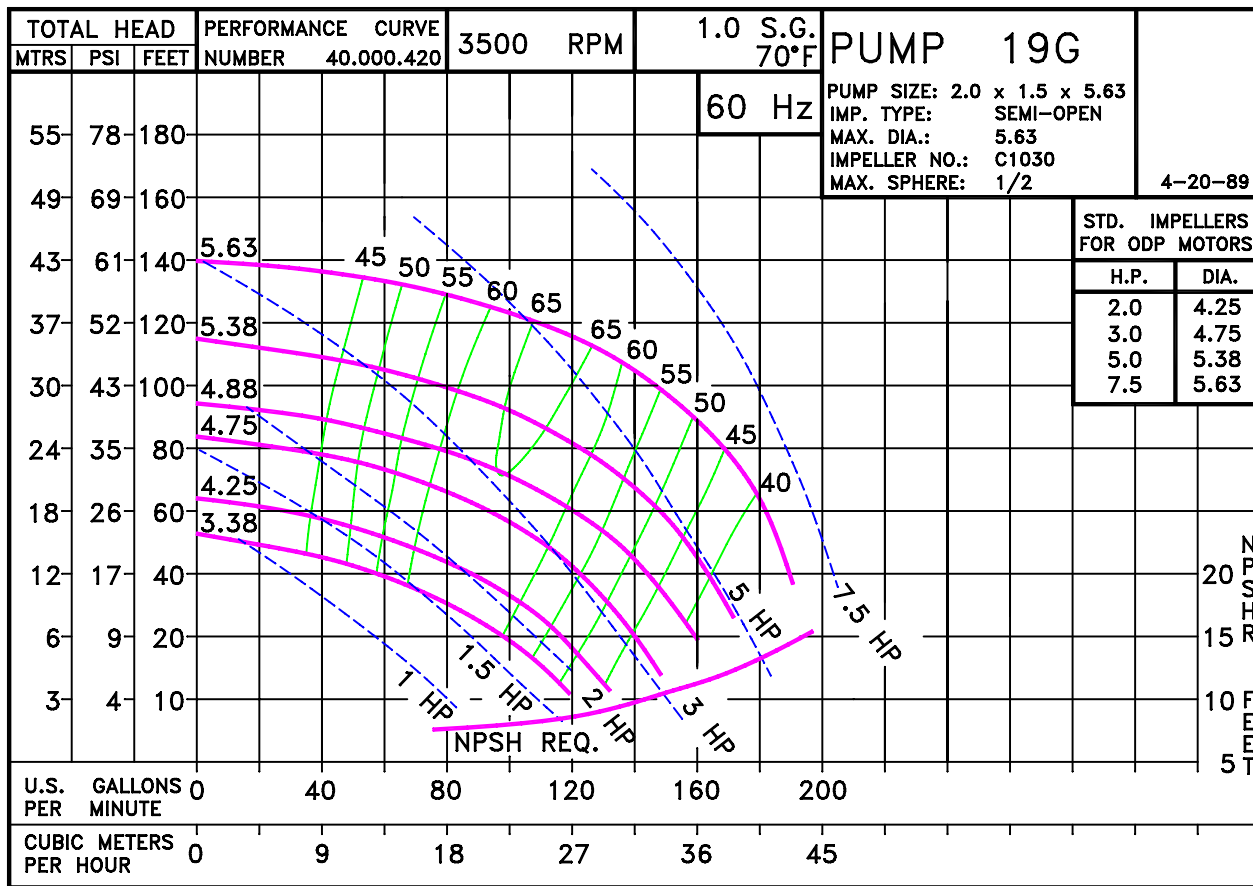
D1040
019G07VFE

D019GTCV184
019G3500

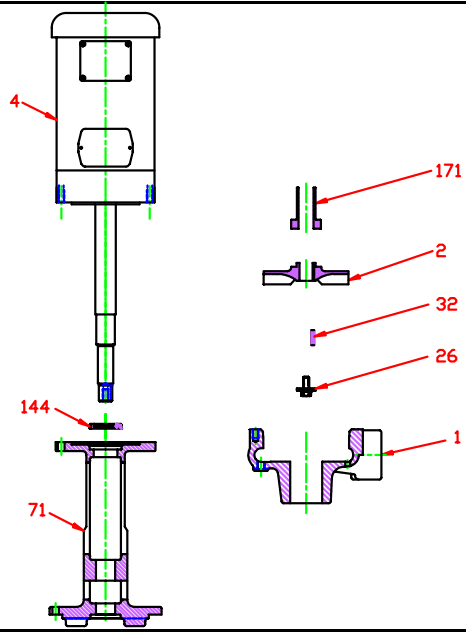
19G

TCV
VFE 19G

019G3500TCV
81.001.316 K16



VFE 19G • Iron • TCV Frame • 3500 RPM



KEY NO.	PART NAME	PUMP NO. 19G
1	CASE, IRON, 2 x 1.5 NPT	130.000.344X1
2	IMPELLER, 7/8" KEYED, SEMI-OPEN, SPECIFY DIAMETER: IRON	137.000.135
4	MOTOR, TCV140	See Chart
26*	IMPELLER RETAINER, STAINLESS	118.000.111A
32*	KEY, STAINLESS	102.000.102
71	ADAPTER, IRON	132.000.290
144*	LIP SEAL, BUNA	101.000.244
171*	THROTTLE BUSHING, STEEL	110.000.348
--	REPAIR KIT	118.000.545
	MOUNTING PLATE MP11: (not shown)	118.000.329
--	MOUNTING PLATE (2 REQ'D)	132.000.292
	CAP SCREW (2 REQ'D)	105.000.457
	WASHER (2 REQ'D)	137.000.697
	NUT (2 REQ'D)	105.000.122

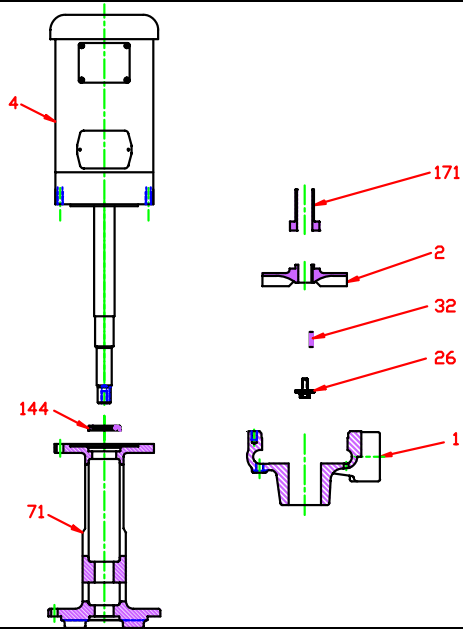
* DENOTES COMPONENTS INCLUDED IN REPAIR KIT.

E019GTCV

C13

P019G3500TCV

VFE 19G • Iron • TCV Frame • 3500 RPM



KEY NO.	PART NAME	CAST IRON
1	CASE	IRON
2	IMPELLER	IRON
26	IMPELLER RETAINER	STAINLESS
32	KEY	STAINLESS
71	ADAPTER	IRON
144	LIP SEAL	BUNA
171	THROTTLE BUSHING	STEEL
NS	MOUNTING PLATE MP11: (not shown)	IRON

E019GTCV

E15

C019G3500TCV