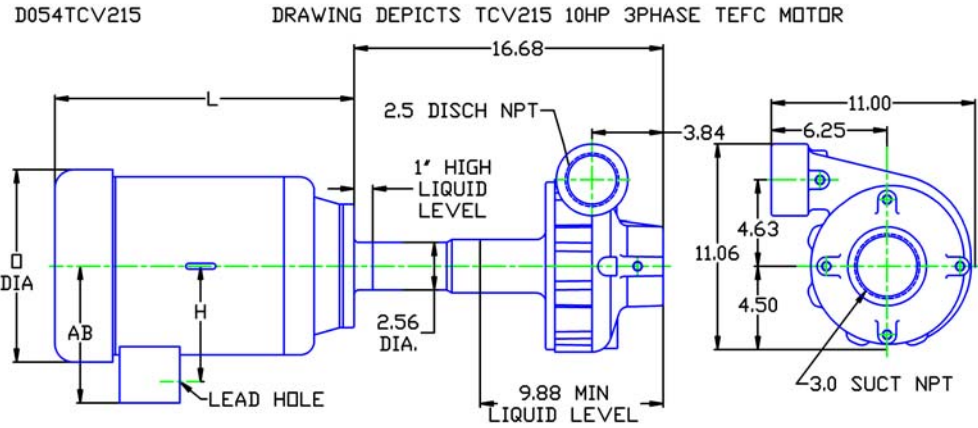


### MOTOR DIMENSIONS NEMA PREMIUM EFFICIENT TCV FRAME 3500 RPM TEFC

HP	Phase	Frame	L	AB	O	H
7.5	1	TCV215	16.16	7.46	10.34	6.23
7.5	3	TCV215	16.16	7.46	10.34	6.23
10	1	TCV215	17.23	8.68	10.22	7.45
10	3	TCV215	16.16	7.46	10.34	6.23
15	3	TCV215	18.79	7.46	10.34	6.23

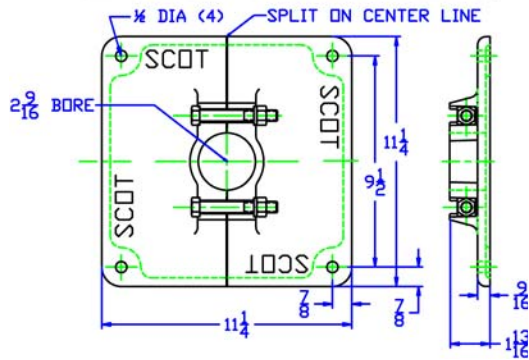
Single phase motors are Standard Efficient



ALL DIMENSIONS IN INCHES.

DRAWING REPRESENTS APPROXIMATE PUMP DIMENSIONS. AUTOCAD DRAWING TO SCALE AVAILABLE FROM FACTORY.

### OPTIONAL MOUNTING PLATE MP11

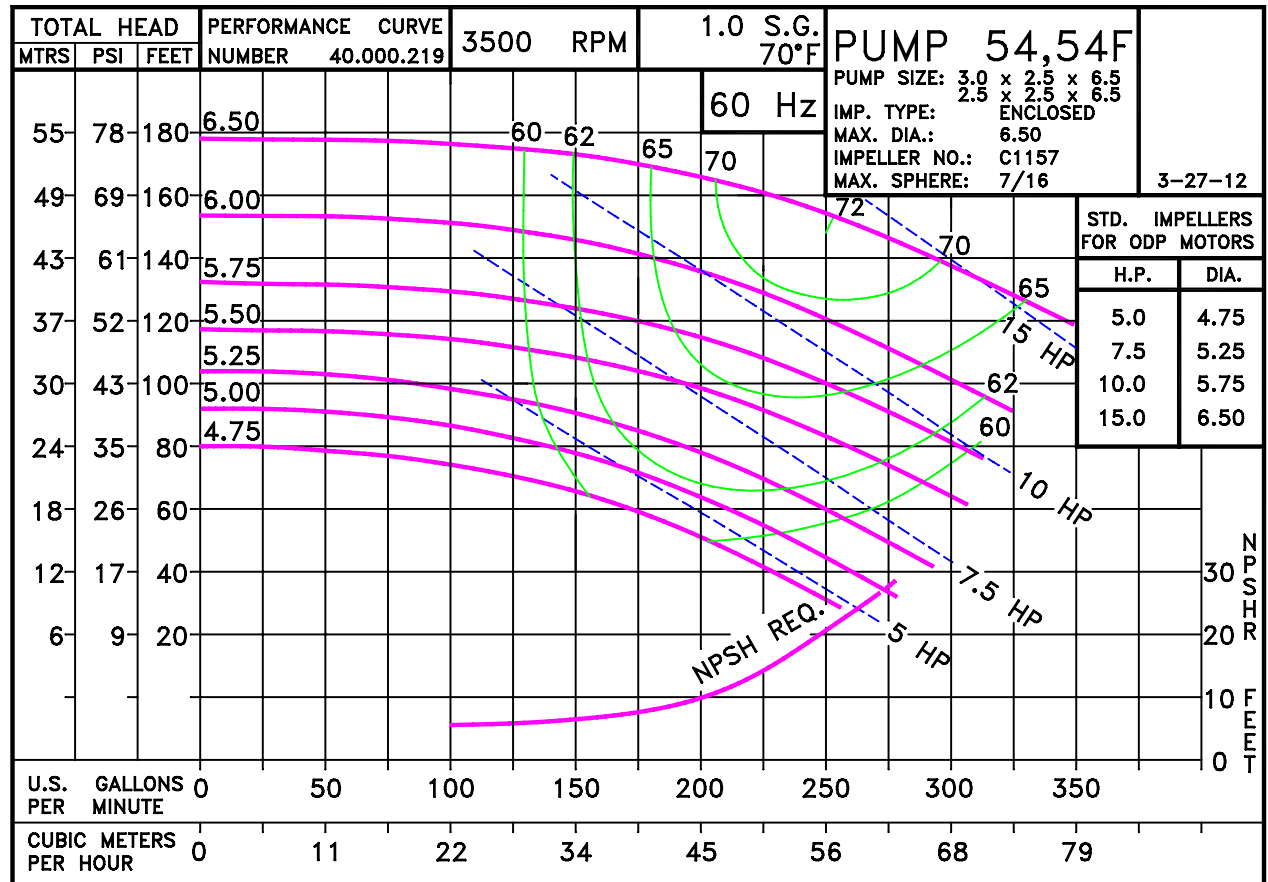


D1040  
05410VWE

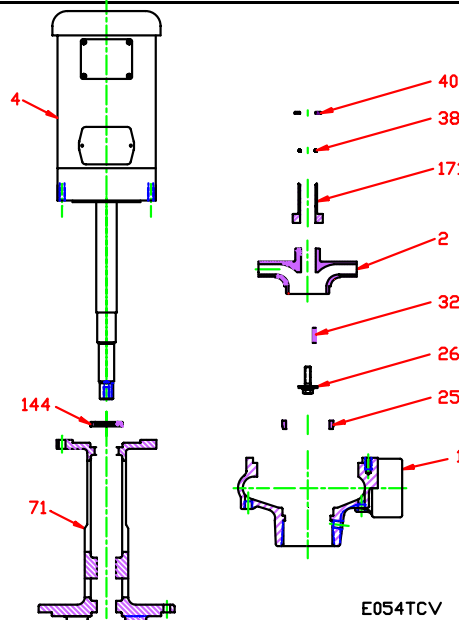
D054TCV215  
0543500

54  
TCV  
VWE 54

0543500TCV  
81.001.183 K16



**VWE 54 • Iron • TCV Frame • 3500 RPM**



KEY NO.	PART NAME	SPEC SERIES‡	
		3190 OLD STYLE	3435 PRESENT STYLE
1+	CASE, IRON, 3 x 2.5 NPT	130.000.249X1	
2	IMPELLER, 7/8" KEYED ENCLOSED, SPECIFY DIAMETER: IRON	131.000.812	
4	MOTOR, TCV140	See Chart	
25	WEAR RING, STEEL	103.000.153	
26*	IMPELLER RETAINER, STAINLESS	† 118.000.163A	
32*	KEY, STAINLESS	† 102.000.102	
38*	O-RING, SHAFT, VITON	--	† 116.000.105
40*	FLINGER, STAINLESS	--	† 104.000.165A
71	ADAPTER, IRON	132.000.291	† 132.000.291B
144*	LIP SEAL, BUNA	101.000.244	
171*	THROTTLE BUSHING, STEEL	110.000.348	† 110.000.348C
--	REPAIR KIT	118.000.546	118.000.628
--	RETROFIT KIT CONVERTS OLD STYLE TO PRESENT	--	118.000.625
--	MOUNTING PLATE MP11: (not shown)	118.000.329	
	MOUNTING PLATE (2 REQ'D)	132.000.292	
	CAP SCREW (2 REQ'D)	105.000.457	
	WASHER (2 REQ'D)	137.000.697	
	NUT (2 REQ'D)	105.000.122	

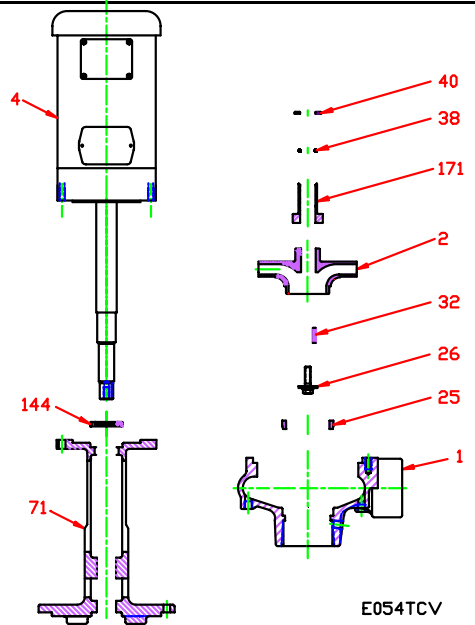
\* DENOTES COMPONENTS INCLUDED IN REPAIR KIT.  
 + INCLUDES STEEL WEAR RING.  
 † DENOTES ITEMS INCLUDED IN RETROFIT KIT.  
 ‡ SPEC SERIES 3190 WAS MANUFACTURED FROM 1984 THROUGH 01/13/04.  
 SPEC SERIES 3435 IS THE CURRENT CONSTRUCTION AS OF 01/14/04.

E054TCV

M12

P0543500TCV

**VWE 54 • Iron • TCV Frame • 3500 RPM**



E054TCV

<b>CONSTRUCTION OPTIONS</b>		
<b>KEY NO.</b>	<b>PART NAME</b>	<b>CAST IRON</b>
1	Case	Iron
2	Impeller	Iron
25	Wear Ring	Steel
26	Impeller Retainer Assembly	Stainless
32	Key	Stainless
38	O-ring, Shaft	Viton
40	Flinger	Stainless
71	Adapter	Iron
144	Lip Seal	BUNA
171	Throttle Bushing	Steel
NS	Mounting Plate MP11: (not shown)	Iron

E054TCV

E15

C0543500TCV