

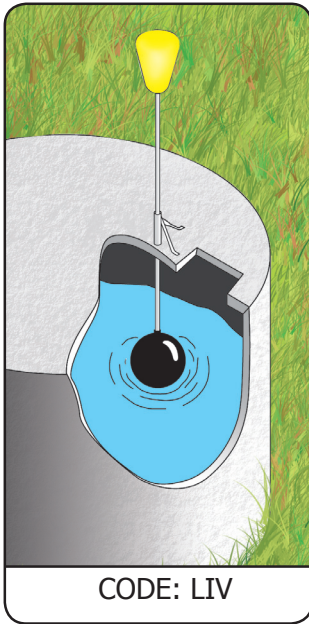
WATER LEVEL INDICATOR

PRODUCT INFO

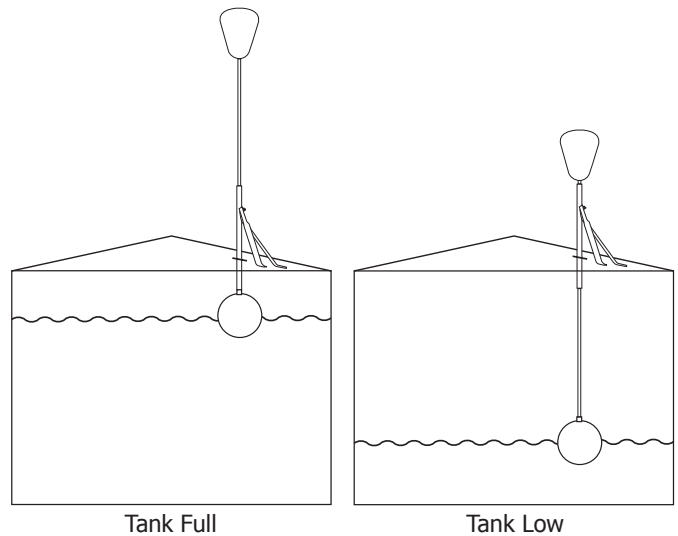
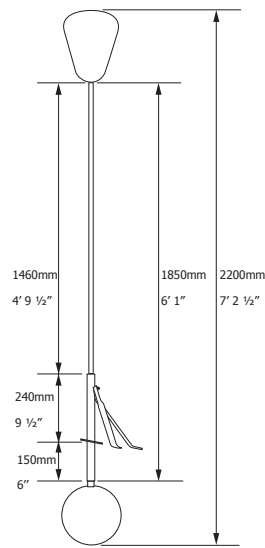


Description

For use in water reservoirs to show water level at a glance.



Dimensions



Applications

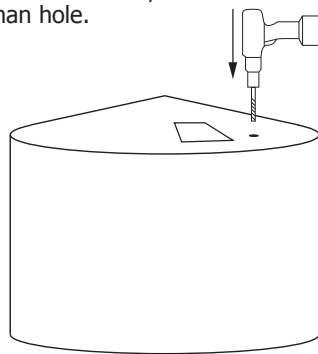
- Easily fitted to Concrete & Plastic tanks to show water level at a glance

Features

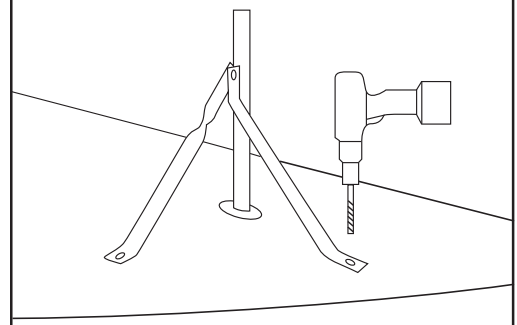
- Highly visible yellow indicator.
- Double bracing arms on mounting bracket.
- Constructed from stainless steel.
- Long stainless steel shaft screws in half for shipping.

Installation

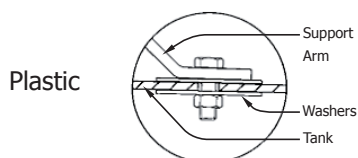
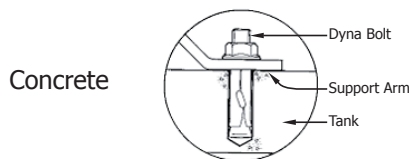
- 1 Drill 20mm hole in tank, next to man hole.



- 2 Fit Bracket.



- 3 Mounting to:



- 4 Slide in Shaft & Fit ball.

