

# INSTALLATION, OPERATION, REPAIR AND MAINTINANCE INSTRUCTIONS

## PRODUCT SERIES: A-JJ-2-V

**ATTENTION:** Please follow all of the instruction in this manual carefully and read the entire manual completely, failure to do so may cause the product to function improperly or fail causing serious injury or death.



**ANHYDROUS AMMONIA IS AN INHALATION HAZARD AND WILL CAUSE SERIES INJURY OR DEATH. PLEASE USE EXTREME CAUTION WHEN HANDLING IT OR PERFORMING ANY MAINTENANCE ON EQUIPMENT USED FOR ANHYDROUS AMMONIA..**

**ATTENTION:** Before performing any installation, repair or maintenance please follow the instructions below.

1. You must be certified to work with anhydrous ammonia. If you are not please seek out the appropriate agricultural department to attend a class to obtain the proper certification.
2. Wear appropriate safety goggles, gloves and breathing apparatuses.
3. Drain all tanks, hoses and piping of anhydrous ammonia COMPLETELY before removing, installing, performing maintenance or repairing any equipment.
4. Always remove device from service before performing any maintenance or repair
5. have sufficient water near by
6. Obey all local, state and federal laws regarding the handling of anhydrous ammonia

### INSTALLATION & OPERATION

1. This device is designed to be an emergence shut off device that can be activated by pulling a cable from a remote location. A 25 foot cable is provided with the device but should a longer cable be required you should provide your own as to meet the length required to reach the remote location you have chosen.
2. Put pipe thread sealant on all pipe threads prior to installation.
3. Install in 1-1/4" piping system, pay close attention to flow direction. If installed backward the device will not function properly. Inlet side is the lower of the 2 ports..
4. Install device in such a manner that the remote shut off cable is unobstructed and when pulled the device will activate by shutting down.
5. After installation test the device by pulling the cable to make sure the valve works properly.
6. After tripping the valve drain the entire system of product and reopen the lever.
7. **NEVER TRY TO OPEN THE VALVE IF NOT COMPLETELY ENCLOSED IN A PIPING SYSTEM. DOING SO WILL ALLOW ANYDROUS AMMONIA TO SPRAY OUT OF THE VALVE.**

### MAINTENANCE

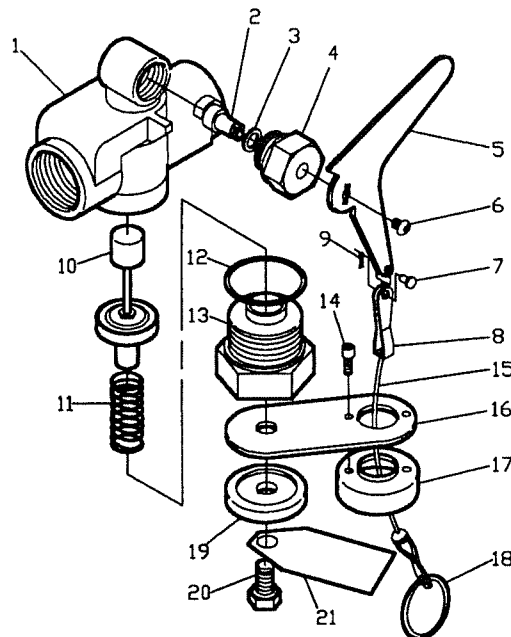
1. Check valve and cable regularly for leaks and wear.
2. If cable is frayed or looks thin or worn out replace cable immediately.
3. If leaking from the lever bonnet or body bonnet or thru the seat install a repair kit A-JJ2V-RK or replace valve immediately.
4. If leaking from pipe thread try tightening the valve with wrench. When doing so make sure the cable is still unobstructed and the cable and valve still works properly. If not successful replace valve.

### REPAIR

1. Remove valve from service by following the above ATTENTIONS AND CAUTIONS.
2. Remove lever JJ2V-702 by removing the lever retaining Allen screw JJ2V-3816-38
3. Remove lower body bonnet JJ2V-100 to access the shut off seat assembly.
4. Remove cam shaft JJ2V-102 and cam stem JJ2V-101 from seat assembly. Remove seat retaining screw JJ2V- and replace the poppet retainer gasket JJ2V-104 and seat JJ2V-600 and reinstall the cam shaft and stem. You may have to tap on the cam shaft or press it back into the seat assembly to get it in.
5. Replace seat spring JJ2V-LC100K5 and bonnet gasket 24-81 in the lower bonnet JJ2V-100 and place the seat assembly on top of the spring with the seat facing up but DO NOT REINSTALL THE LOWER BODY BONNET YET.
6. Remove lever bonnet JJ2V-404 and remove cam stem JJ2V-403 from bonnet and remove packing from bonnet.
7. Reinstall new cap seal 09-8114 into bonnet gently. Coating the cap seal with grease will help prevent the cap seal from getting cut. Reinstall stem JJ2V-403 back into the bonnet by press gently and turning the stem simultaneously.
8. Reinstall bonnet assembly into body JJ2V-01. Put thread sealant on bonnet prior to installation to prevent leaking. Make sure the stem is in the proper position or the device will not work properly.
9. Reinstall the lower body bonnet into the main body JJ2V-01. Put some thread sealant on the threads to prevent leaking. Resistance from spring is normal.
10. Reinstall the lever JJ2V-702 on to the stem. Make sure stamping on the lever is facing away from the body and that the lever is located properly by ensuring the guide notch is fully inserted into the lever. Reinstall the lever retaining Allen screw and tighten firmly,
11. Install the repaired valve back into service by following the above installation instructions.

**QUESTIONS CALL 800-537-5642**

Catalog Number	Description	List Price	100 Piece Ship Wgt.
<b>A-JJ-2-V EMERGENCY SHUT-OFF VALVE 1-1/4"</b>			
09-8114	CAM SEAL ITEM # 3		
197-700	WASHER STAINLESS STEEL ITEM # 3a		
24-80-X	BONNET GASKET ITEM # 12		
A-JJ2V-102	SEAT ASSEMBLY ITEM # 10		
A-JJ2V-RK	REPAIR KIT INCLUDES: A-JJ2V-102, 24-80-X, 09-8114, JJ2V-LC100K5		
JJ1-203	CABLE BELL ITEM # 17		
JJ2V-100	VALVE BONNET ITEM # 13		
JJ2V-1032-50	CABLE BELL RETAINER SCREWS ITEM # 14		
JJ2V-105	BRACKET WASHER ITEM # 19		
JJ2V-3816-38	LEVER CAP SCREW ITEM # 6		
JJ2V-403	CAM ITEM # 2		
JJ2V-404	LEVER BONNET ITEM # 4		
JJ2V-4314-100	MOUNTING NUT		
JJ2V-702	LEVER ITEM # 5		
JJ2V-703	BRACKET ITEM # 16		
JJ2V-LC100K5	CLOSING SPRING ITEM # 11		
JJ-900	RING CONNECTOR ITEM # 18		
JJ-901	CABLE (AIRCRAFT GRADE) ITEM # 8		
JJ-904	FASTENER CLEVIS PIN ITEM # 7		
JJ-905	COTTER PIN ITEM # 9		



**CONTINENTAL NH 3 PRODUCTS CO., INC.**

**130 YORKTOWN**

**P.O. BOX 225323**

**DALLAS, TEXAS 75222-5323**

**800-537-5642**