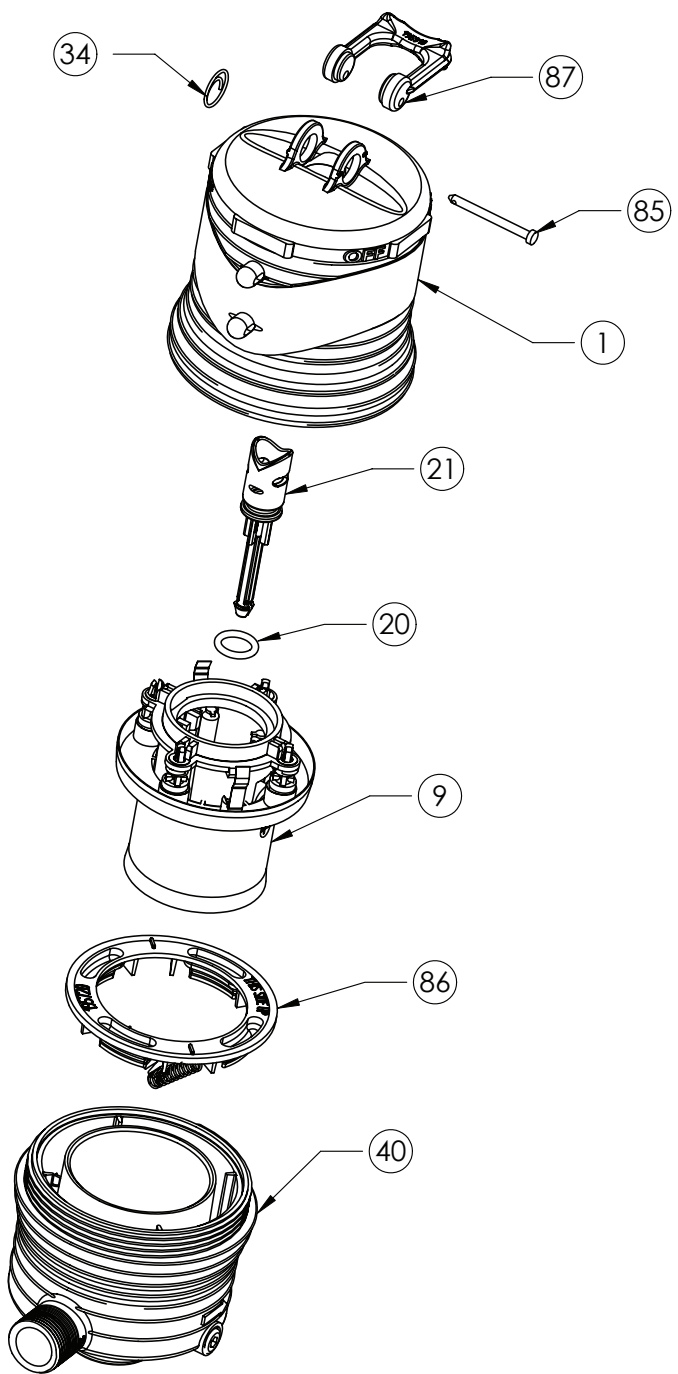
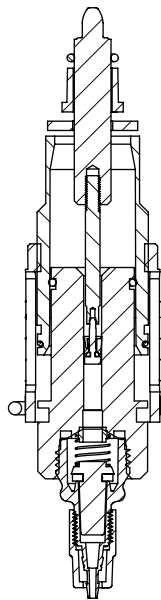
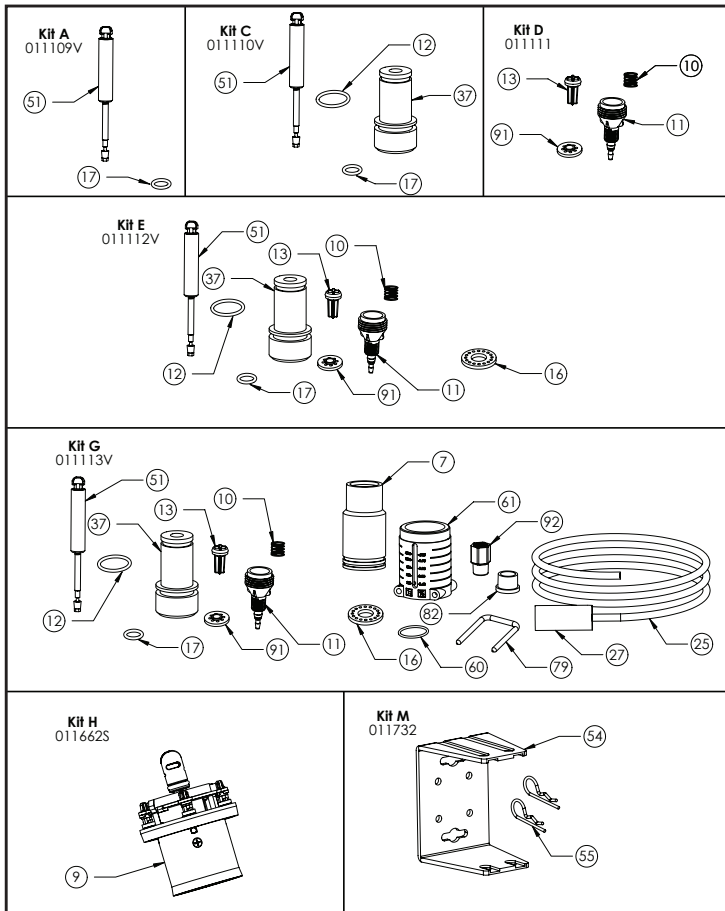


Injector Repair Parts

Reference #	Description
1	Upper Body
9	Motor Piston
20	O-ring
21	Bypass Shaft
34	Cotter Ring
40	NPT Lower Body BSP Lower Body 20% NPT 20% BSP 20% NPT Remote Inject 20% BSP Remote Inject
85	Upper Shaft Pin
86	Mixing Chamber Gasket
87	On/Off Handle



0.4%



Lower End Assembly

Ref. #	Description of Part
7	MiniDos Outer Cylinder
10	MiniDos 0.4% Spring
11	Suction Tube Fitting, 1/8"
12	O-ring
13	Check Poppet w/Washer
16	Gasket
17	O-ring
25	Suction Tube 1/8" x 3'
27	Filter For Suction Tube 1/8"
37	MiniDos 0.4% Inner Cylinder
51	MiniDos 0.4% Shaft Assy
60	O-ring
61	MiniDos 0.4% Ratio Adjuster
79	Interlock Pin
82	Shaft Seal Spacer
91	Seal, Check Valve
92	Hose Nut 1/8"

Note: Viton seal materials are standard. Other seal materials are available.

