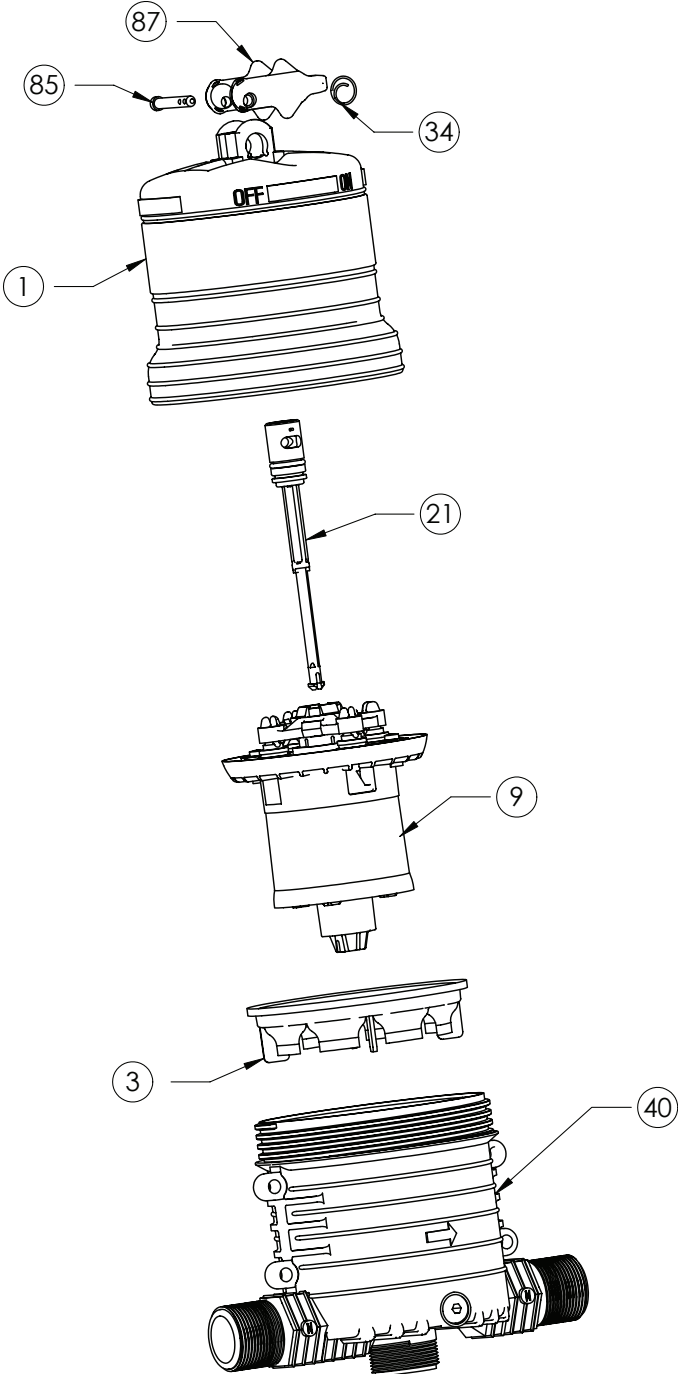
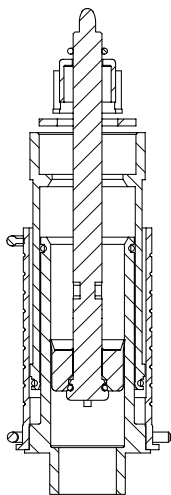
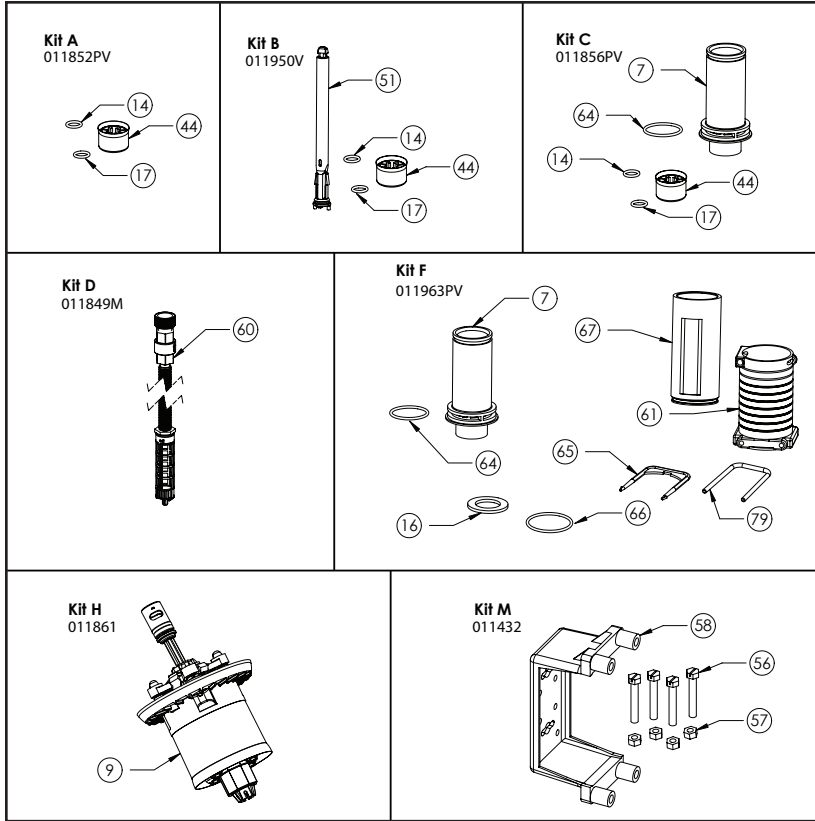


Injector Repair Parts

Reference #	Description
1	Upper Body
3	Mixing Chamber Gasket
9	Piston Assembly
21	Shaft Assembly
34	Cotter ring
40	Lower Body NPT 1 1/4"
	Lower Body BSP 1 1/4"
85	Upper Shaft Pin
87	On/Off Handle



5%



Lower End Assembly

Manual Reference	Description of Part
7	Cylinder, Inner
14	O-ring
15	Seal Retainer, O-ring
16	Gasket
17	O-ring
44	Dosage Piston
51	Shaft
60	Hose Braid Kit
61	Ratio Adjustment Sleeve
64	O-ring, Inner Cylinder, Lower End
65	Pin, Upper Interlock
66	O-ring, Outer Cylinder, Lower End
67	Cylinder, Outer
79	Pin, Narrow Interlock

Note: Viton seal materials are standard. Other seal materials are available.

