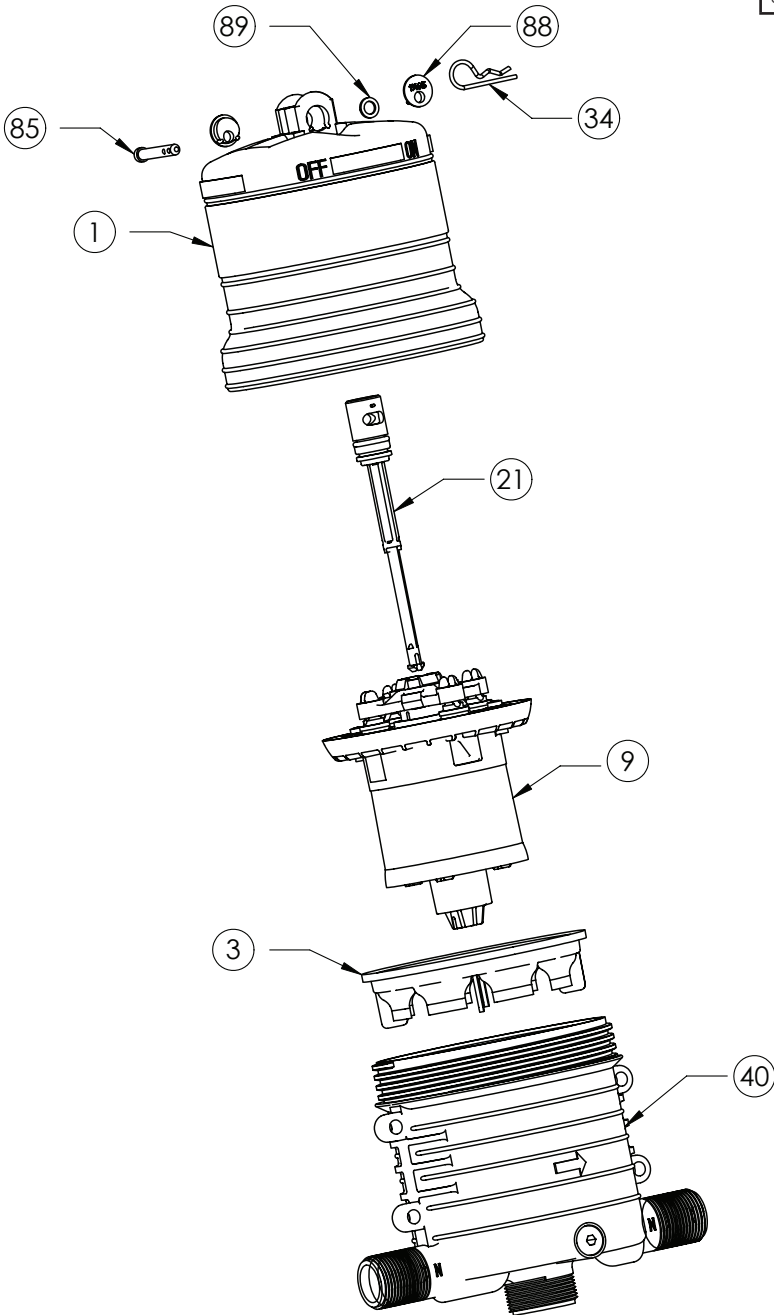
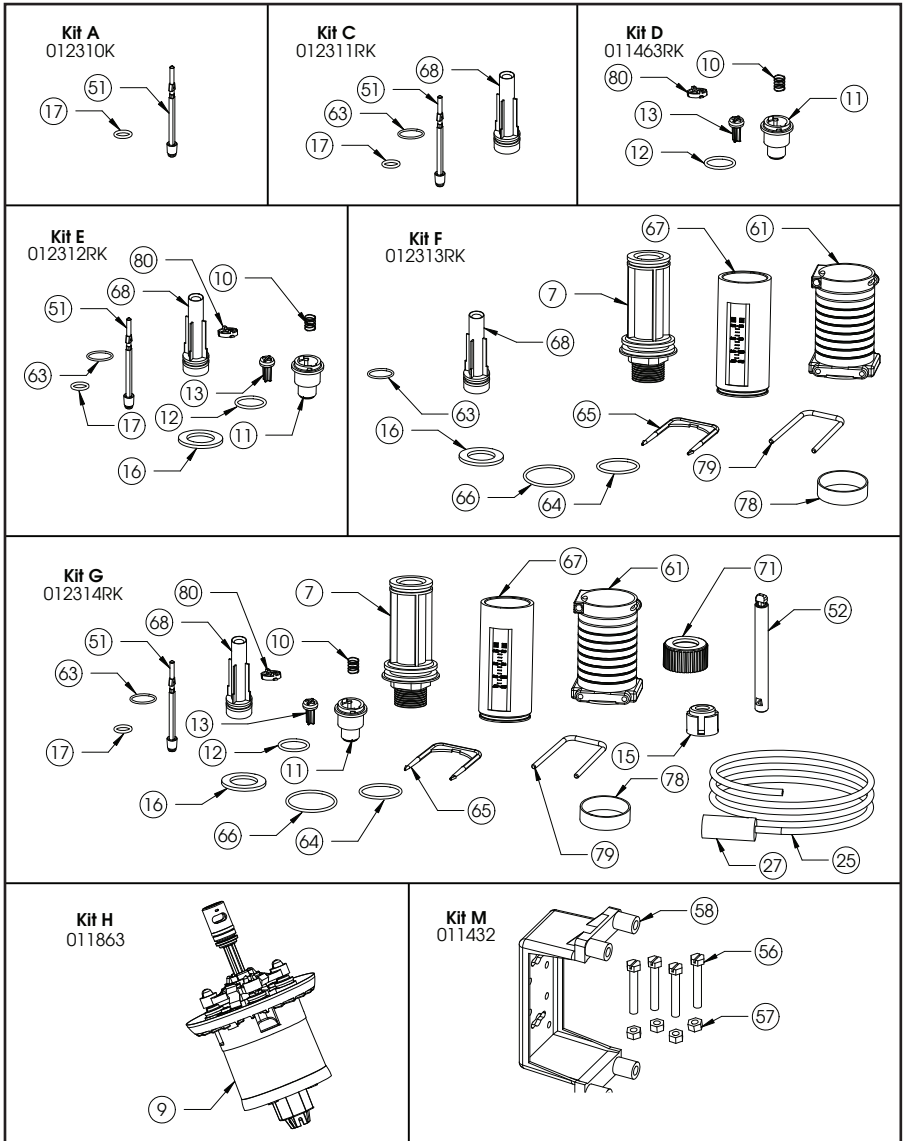


Injector Repair Parts

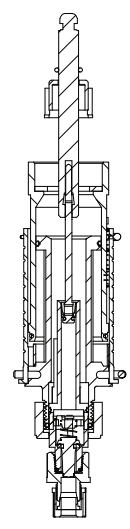
Ref. #	Description
1	Upper Body (Must Order w/#88)
3	Mixing Chamber Gasket
9	Piston Assembly (Must Order With #21)
9	Piston Assembly 10% (Must Order With #21)
21	Shaft Assembly
34	Hairpin
40	Lower Body NPT 1"
40	Lower Body BSP 1"
85	Upper Shaft Pin
88	Non Bypass Plug
89	Washer



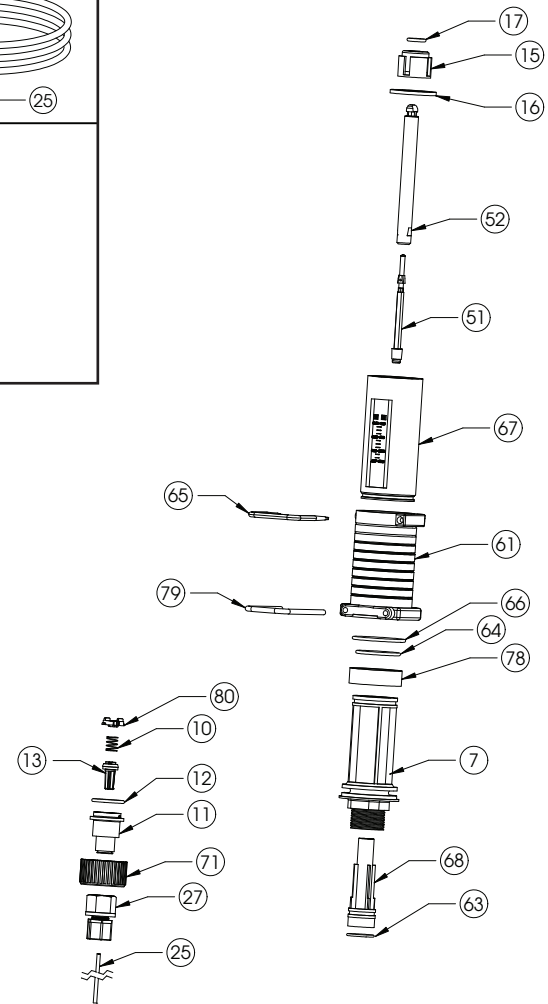
0.3% HAC Rotating



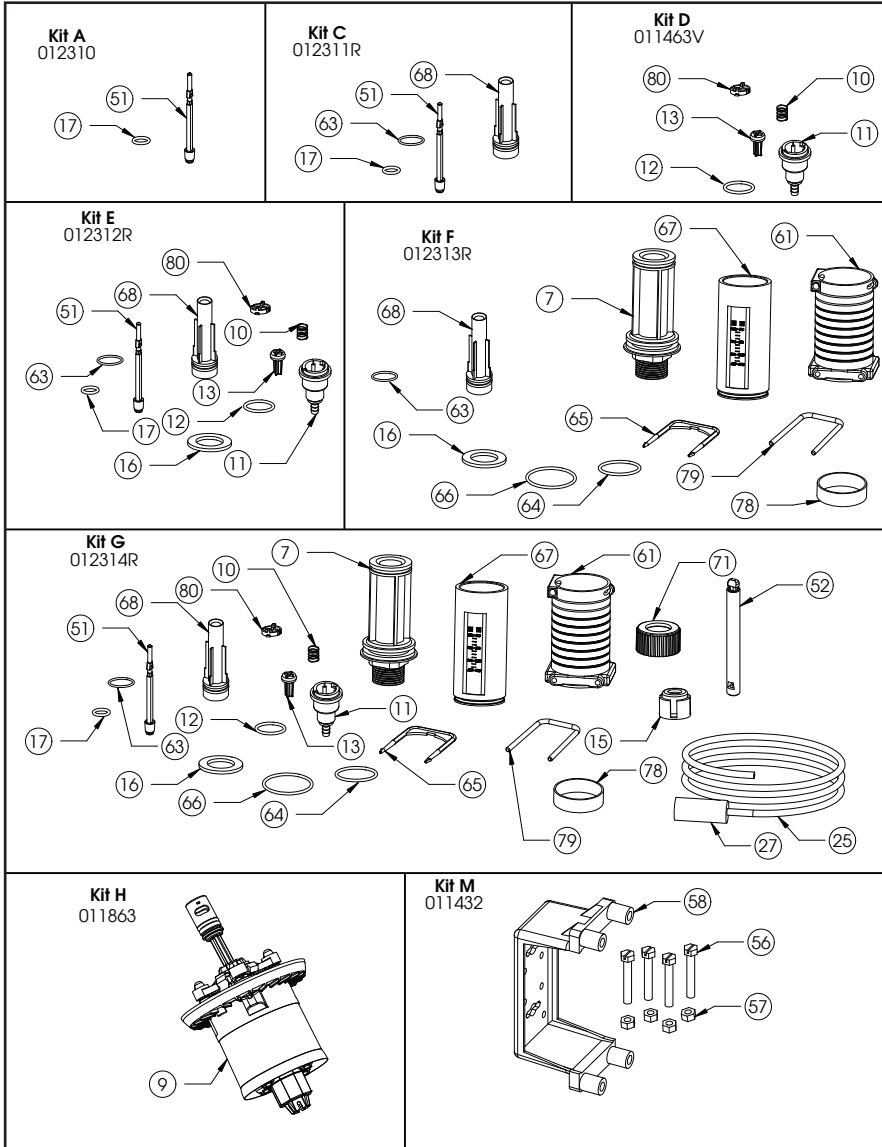
Manual Reference	Description of Part
7	Cylinder, inner
10	Spring
11	Suction tube fitting
12	O-ring
13	Check poppet
15	Seal retainer, O-ring
16	Lower End Gasket
17	O-ring
25	Suction tube, 1/4" ID x 5 ft
27	Compression fitting
51	Lower shaft Assy
52	Upper shaft
61	Ratio adjustment sleeve
63	O-ring
64	O-ring, inner cylinder, lower end
65	Pin, upper interlock
66	O-ring, outer cylinder, lower end
67	Cylinder, outer
68	Cylinder, inner for #7
71	Nut, suction tube fitting
78	Lower end stop
79	Pin, narrow interlock
80	Twistlock



Lower End Assembly

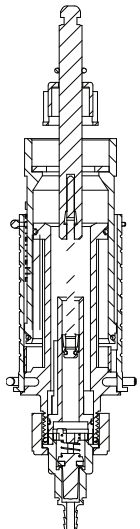


0.3% Rotating



Manual Reference	Description of Part
7	Cylinder, inner
10	Spring
11	Fitting, suction tube, 1/4"
12	O-ring
13	Check poppet
15	Seal retainer, O-ring
16	Lower End Gasket
17	O-ring
25	Suction tube, 1/4" x 5'
27	Foot valve 1/4" ID
51	Lower shaft assy.
52	Upper shaft
61	Ratio adjustment sleeve
63	O-ring, inner cylinder (#68)
64	O-ring, inner cylinder, lower end
65	Pin, upper interlock
66	O-ring, outer cylinder, lower end
67	Cylinder, outer
68	Cylinder, inner for #7
71	Nut, suction tube fitting
78	Lower end stop
79	Pin, narrow interlock
80	Twistlock

Note: Viton seal materials are standard. Other seal materials are available.



Lower End Assembly

