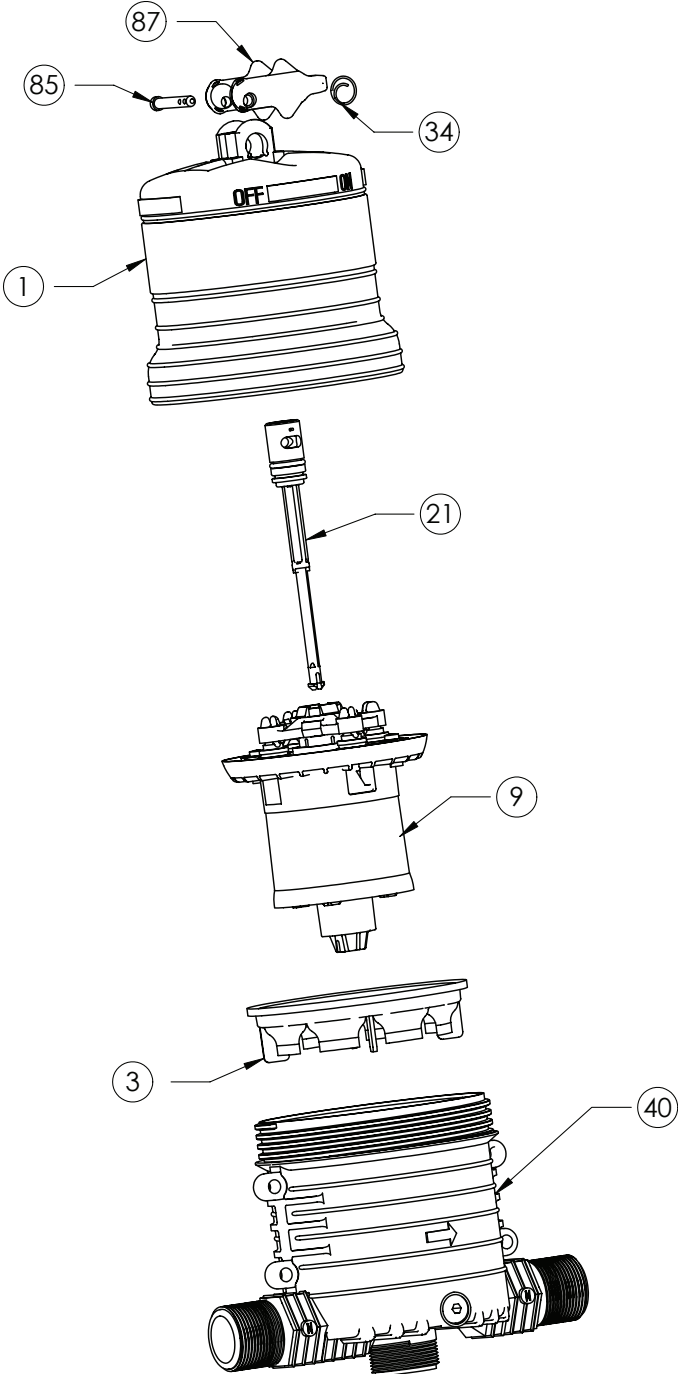
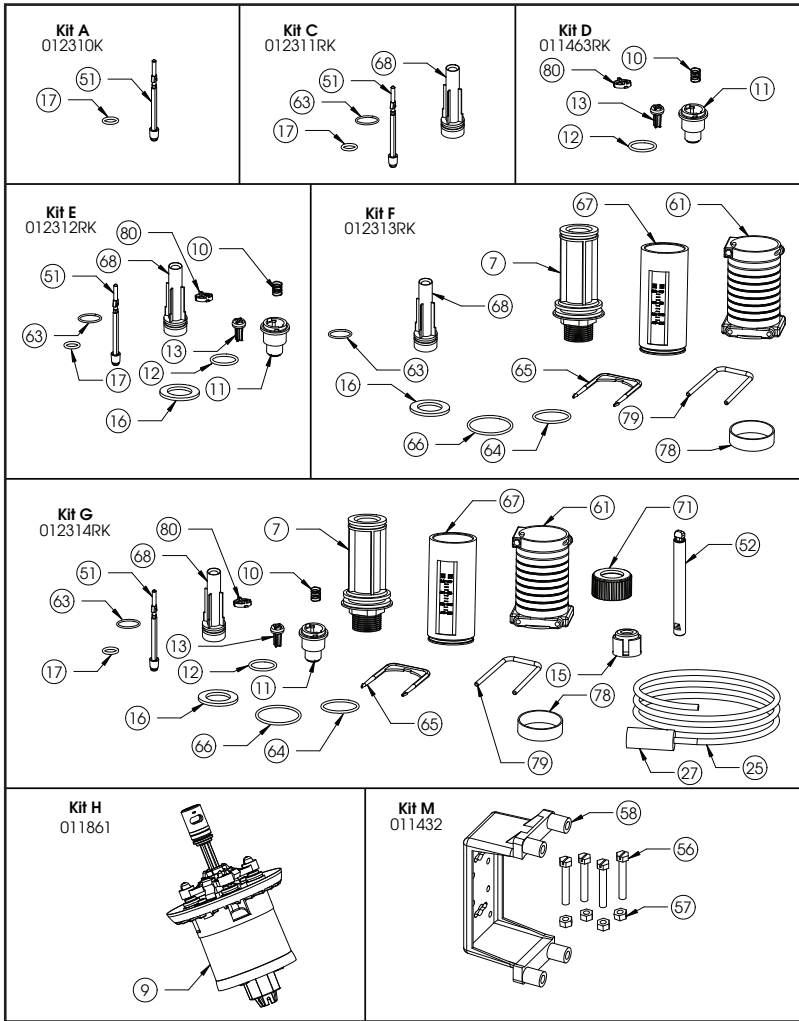


Injector Repair Parts

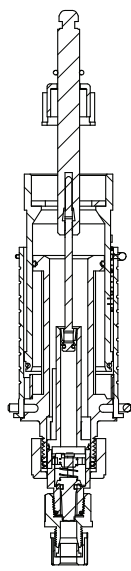
Reference #	Description
1	Upper Body
3	Mixing Chamber Gasket
9	Piston Assembly
21	Shaft Assembly
34	Cotter ring
40	Lower Body NPT 1 1/4"
	Lower Body BSP 1 1/4"
85	Upper Shaft Pin
87	On/Off Handle



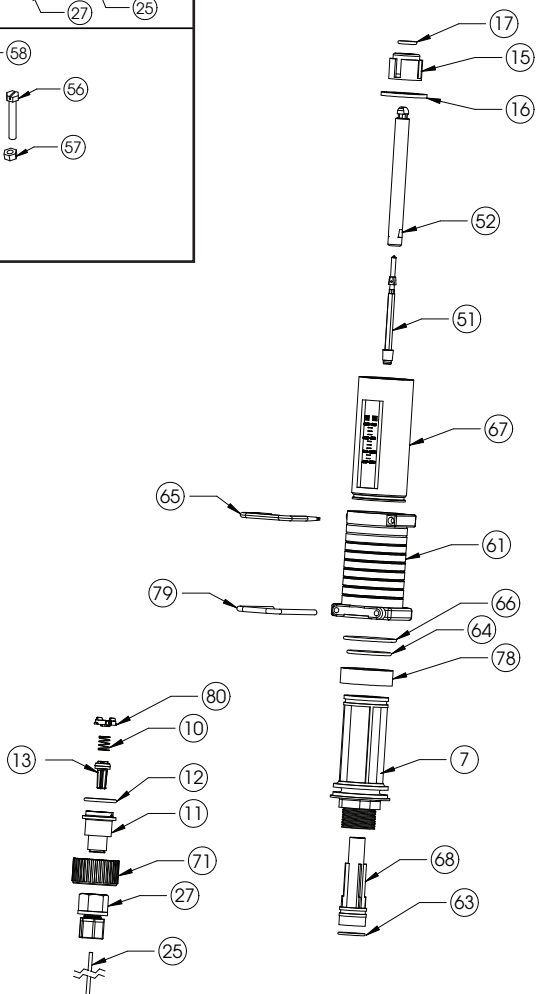
0.3% HAC Rotating



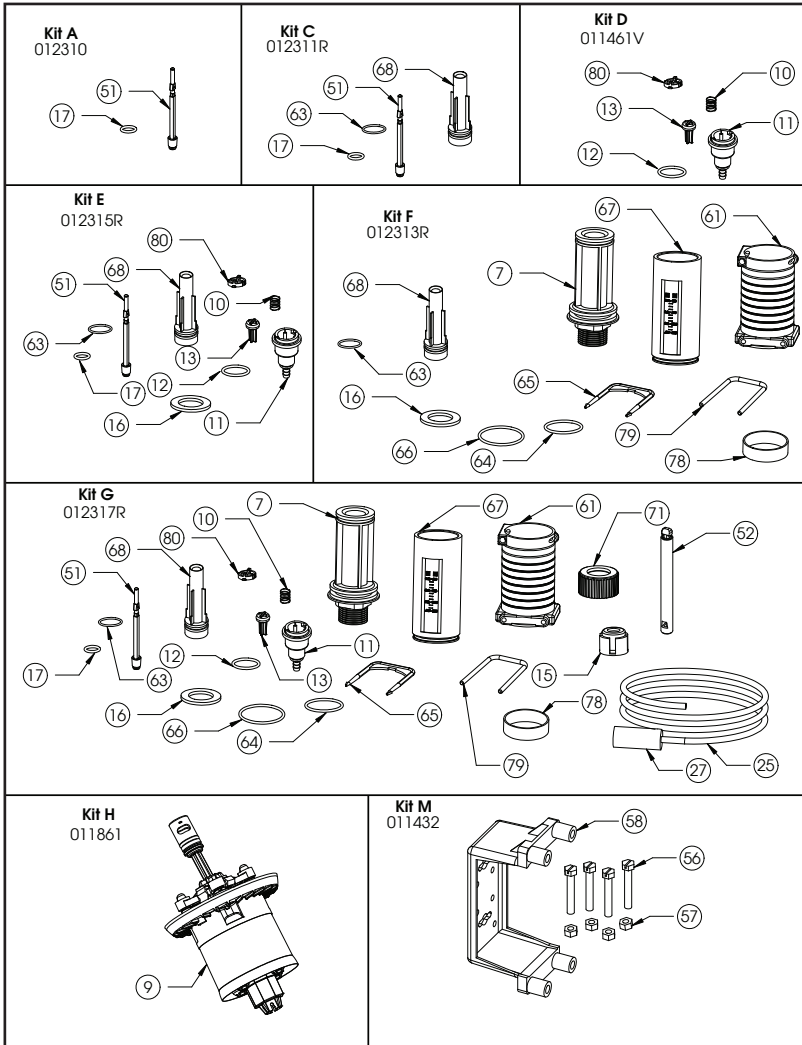
Manual Reference	Description of Part
7	Cylinder, inner
10	Spring
11	Suction tube fitting
12	O-ring
13	Check poppet
15	Seal retainer, O-ring
16	Gasket, inlet/outlet and cylinder
17	O-ring
25	Suction tube, 1/4" ID x 5 ft
27	Compression fitting
51	Lower shaft
52	Upper shaft
61	Ratio adjustment sleeve
63	O-ring
64	O-ring, inner cylinder, lower end
65	Pin, upper interlock
66	O-ring, outer cylinder, lower end
67	Cylinder, outer
68	Cylinder, inner for #7
71	Nut, suction tube fitting
78	Lower end stop
79	Pin, narrow interlock
80	Twistlock



Lower End Assembly

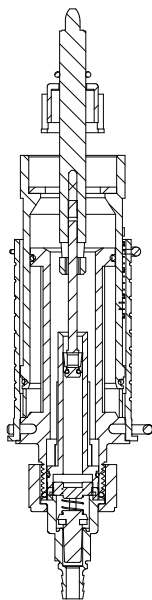


0.3% Rotating



Manual Reference	Description of Part
7	Cylinder, Inner
10	Spring
11	Fitting, Suction Tube, 3/8"
12	O-ring
13	Check poppet
15	Seal Retainer, O-ring
16	Gasket
17	O-ring
25	Suction Tube, 3/8" X 5'
27	Filter Suction Tube 3/8" Id
51	Shaft, Assy With Dosage Piston
52	Upper Shaft
61	Ratio Adjustment Sleeve
63	O-ring, Inner Cylinder (#68)
64	O-ring, Inner Cylinder, Lower End
65	Pin, Upper Interlock
66	O-ring, Outer Cylinder, Lower End
67	Ratio Adjuster
68	Cylinder, Inner For #7
71	Nut, Suction Tube Fitting
78	Lower End Stop
79	Pin, Narrow Interlock
80	Twistlock

Note: Viton seal materials are standard. Other seal materials are available.



Lower End Assembly

