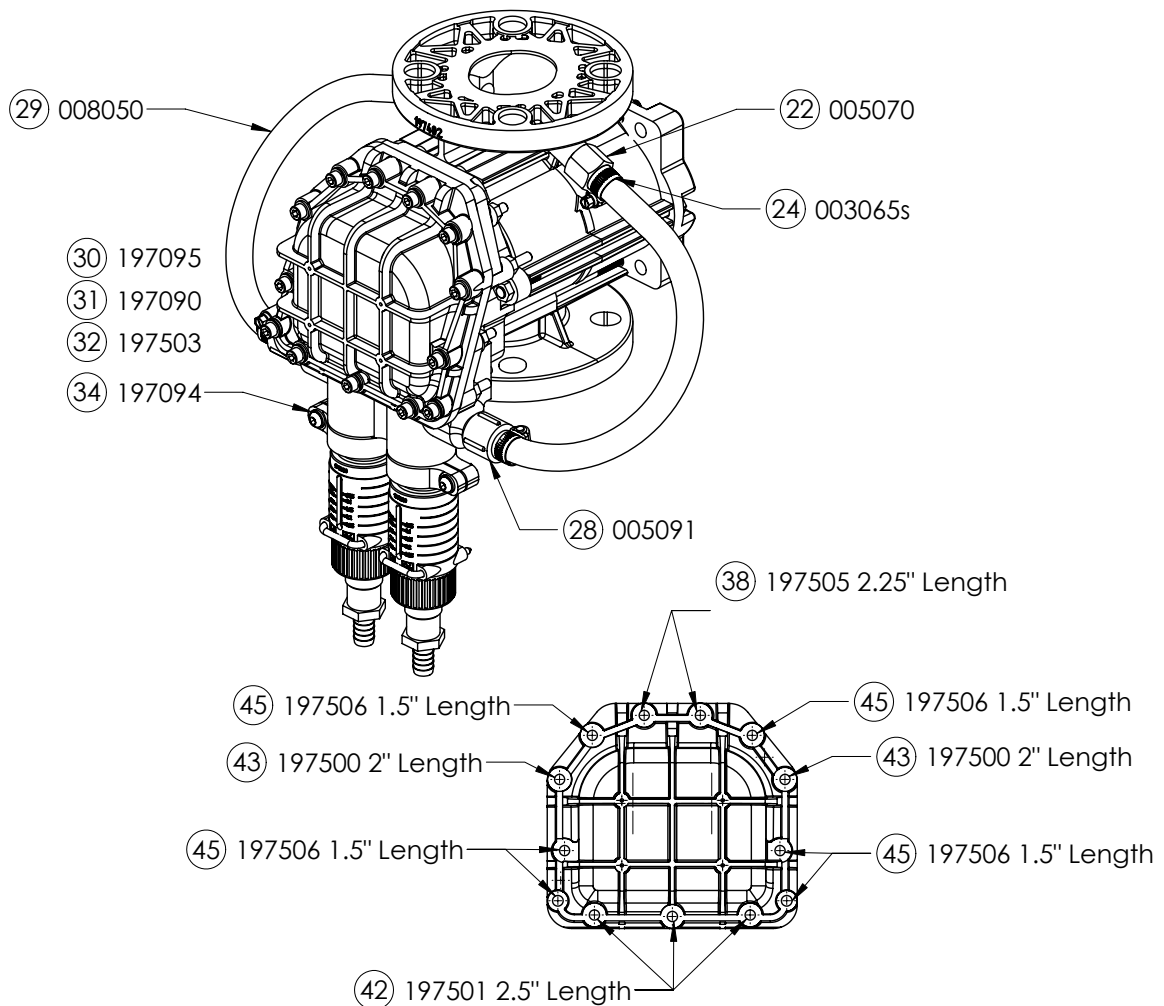


Injector Repair Parts

TurboDos 100

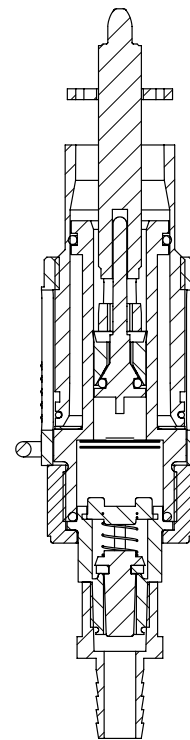
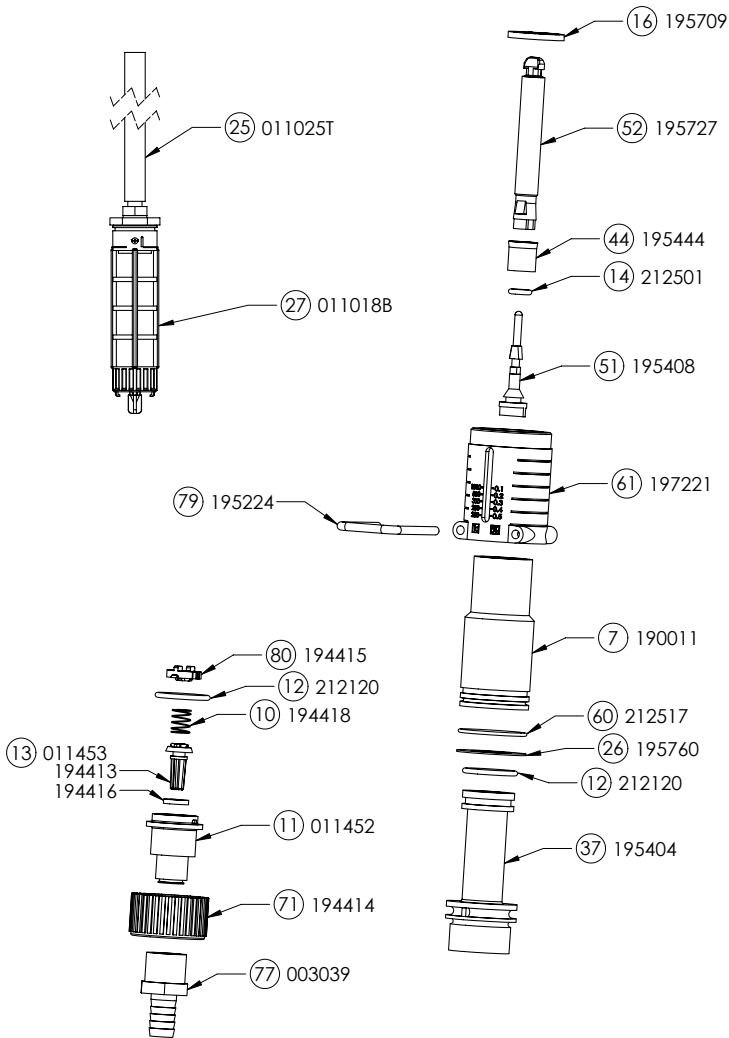
Reference #	Part #	Description
22	005070	1/2" Brass Barb NPT
24	003065S	Clamp 1/2 (worm gear)
28	005091	Insert Female Adapter 1/2"
29	008050	Side Injection Hose 1/2" ID
30	197095	Nut, Hex 1/4 x 2 SST
31	197090	1/4" Flat Washer SS
32	197503	1/4" Lock Washer SS
34	197094	1/4-20 SHC Screw 1" L SS
38	197505	1/4-20 SHC Screw 2.25" L SS
42	197501	1/4-20 SHC Screw 2.5" LSS
43	197500	1/4-20 SHC Screw 2" L SS
45	197506	1/4-20 SHC Screw 1.5" L SS



Lower end injector & wear parts kits 0.5%:

Kit A Wear Parts Kit (dosage piston, O-ring)	011910	14, 44
Kit B Wear Parts Kit (Kit A, inner cylinder, shafts, gasket, O-ring)	011095	12, 14, 26, 37, 44, 51, 52
Kit C Wear Parts Kit (Kit A, shafts, cylinders, O-rings)	011912B	7, 12, 14, 37, 44, 51, 52, 60
Kit D Suction Tube Fitting Assy (poppet, O-ring, spring, fitting, twistlock, barb)	011462L	10, 11, 12, 13, 77, 80
Kit F Lower End Kit, complete	011096	7, 10, 11, 12, 13, 14, 16, 25, 26, 27, 37, 44, 52, 51, 60, 61, 71, 77, 79, 80

Manual Reference	Part #	Description of Part
7	190011	Outer Cylinder
10	194418H	Spring
11	011452	Suction Tube Fitting
12	212120	O-ring
13	011453A	Check poppet
14	212501	O-ring
16	195709	Body To Lower End Gasket
25	011025T	Hose 1/2"Id X10'L
26	195760	Anti-Lock Gasket Small
27	011018B	Turbo Filter
37	195404	Inner Cylinder
44	195444P	Dosage Piston
51	195408	Lower Shaft
52	195727	Upper Shaft
60	212517	O-ring
61	197221	Ratio Adjuster
71	194414	Nut Suction Tube Fitting
77	003039	Hose Barb 1/2 X 3/8 Nptf
79	195224	Interlock Pin
80	194415	Twistlock



Lower End Assembly