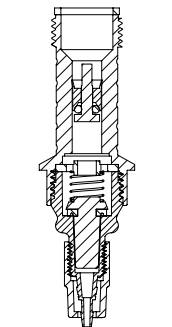
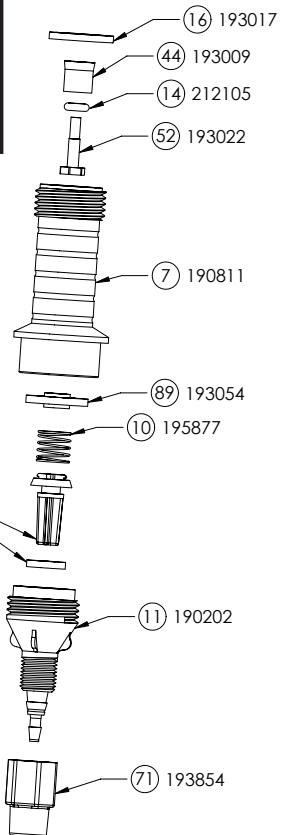
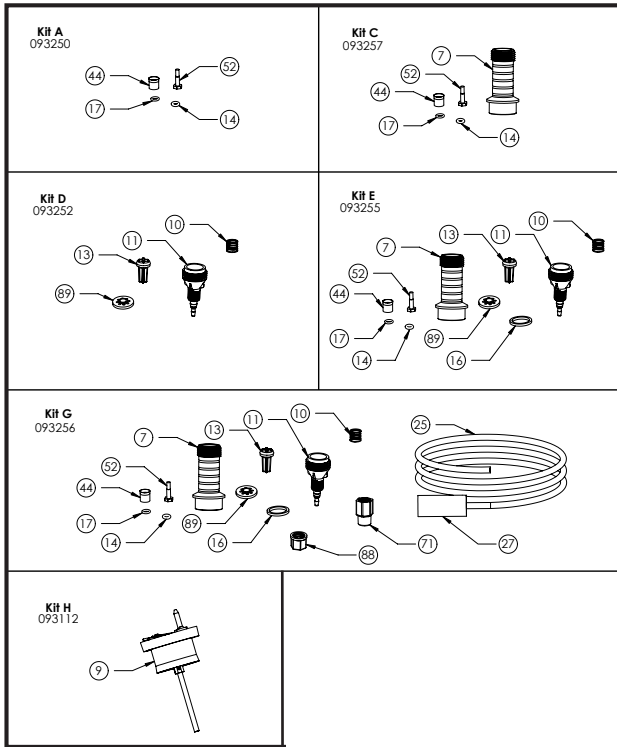
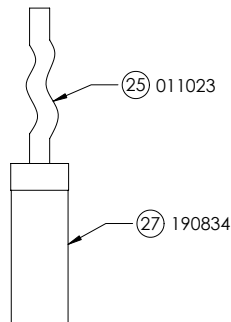


2% Fixed:



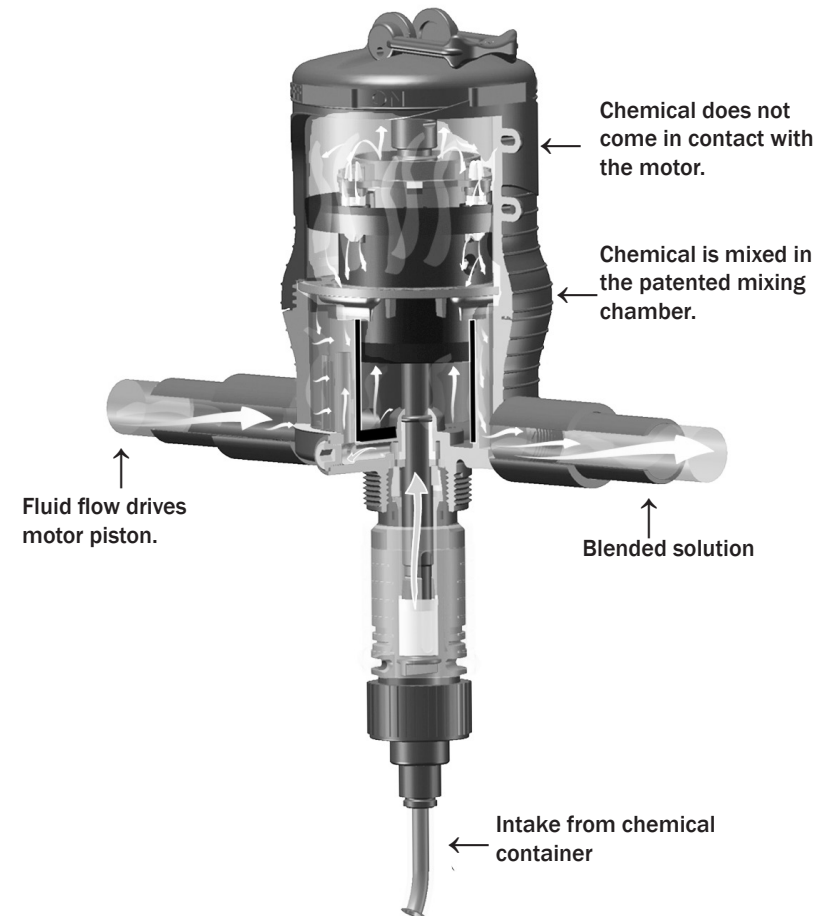
Lower End Assembly
Ensemble partie basse
Unteres Ende Bausatz
Conjunto Dosificador
Conjunto Dosador



Operating Principle

Accurate and Reliable

Installed directly in the fluid supply line, the injector operates without electricity, using fluid (water) pressure as the power source. The fluid drives the injector, which pulls the required percentage of concentrate directly from the chemical solution container. Inside the Dosmatic patented mixing chamber, the concentrate is mixed with the fluid, and the fluid pressure forces the mixed solution downstream. The amount of concentrate will be directly proportional to the volume of fluid entering the injector, regardless of variations in flow or pressure.



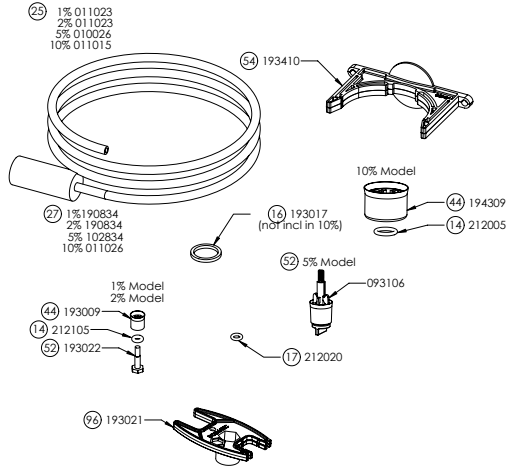
Package Contents

The injector is packaged with the following items:

- Dosmatic Injector (not shown)
- Dosage Piston
- O-ring
- Manual (not shown)
- 6 in 1 Wrench
- Mounting Bracket
- Filter
- Suction Tube

Dosmatic USA
Certified ISO
9001:2008 QMS

Model	NPT/BSP
1% Fixed	116384
2%	116381
2% Fixed	116382
5%	116383
10% Fixed	116385



Specifications

MicroDos 3.5gpm (100 max. psi)

Model 2% 0.50% - 2.00% (1:200 - 1:50)

Model 5% 2% - 5% (1:50 - 1:20)

Model 1% (fixed) 1% (1:100)

Model 2% (fixed) 2% (1:50)

Model 10%* (fixed) 10% (1:10)

Flow Rate: 0.03 - 3.5 gpm (0,11 - 13 l/mn)

Operating Pressure: 6 - 100 psi (0,41 - 6,9 bar)

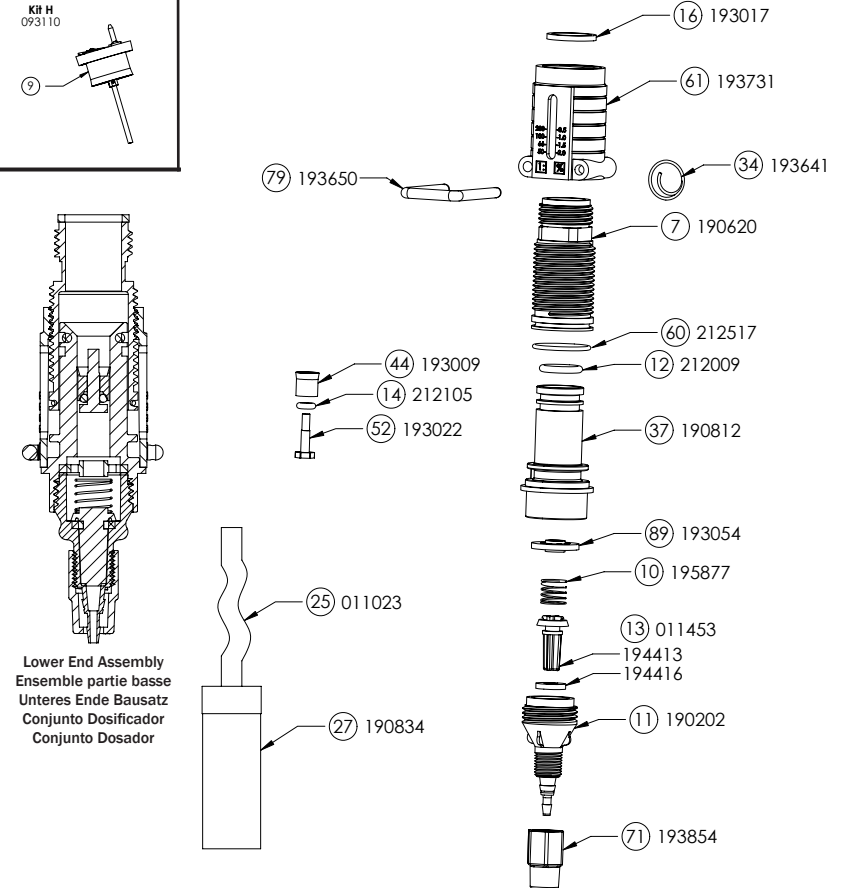
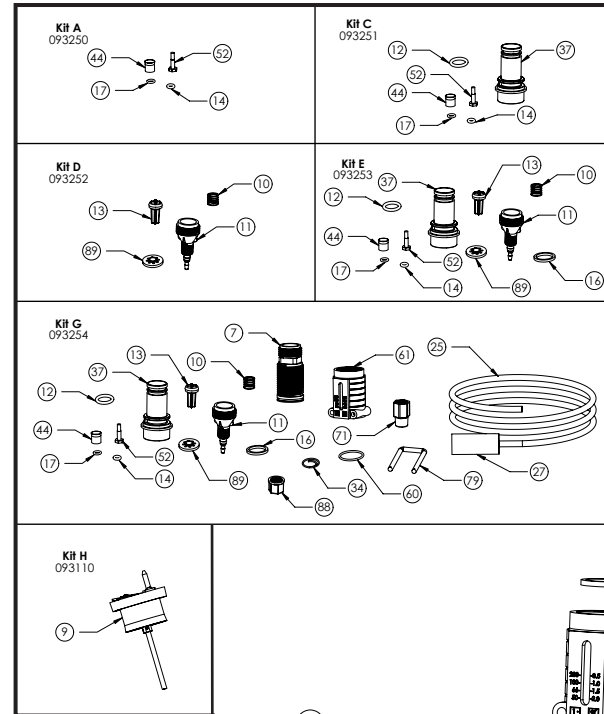
Pipe Coupling: 1/2"

*10% maximum operating pressure is 65 psi (4,5 bar)



Housing	Proprietary Engineered Composite Material
Dosing Accuracy	+/- 10% of ratio
Repeatability	+/- 3% of ratio
Pressure Loss	Available upon request
Maximum Temp.	100°F (38°C)
Minimum Temp.	34°F (1°C)
Maximum vertical suction of concentrate	13 Feet (3.6 Meter)
Maximum horizontal suction of concentrate	49 Feet (15 Meter)
Self-Priming	Yes
Seal Material Available:	Aflas Viton EPDM
*Contact your Dosmatic representative for specific chemical information	
Maximum Viscosity	1,500 cP (Ex. Honey)
Recommended Accessories	140 mesh (104 micron) filter, check valve, pressure regulator, flow restrictor.

2%:



Lower End Assembly
 Ensemble partie basse
 Unteres Ende Bausatz
 Conjunto Dosificador
 Conjunto Dosador