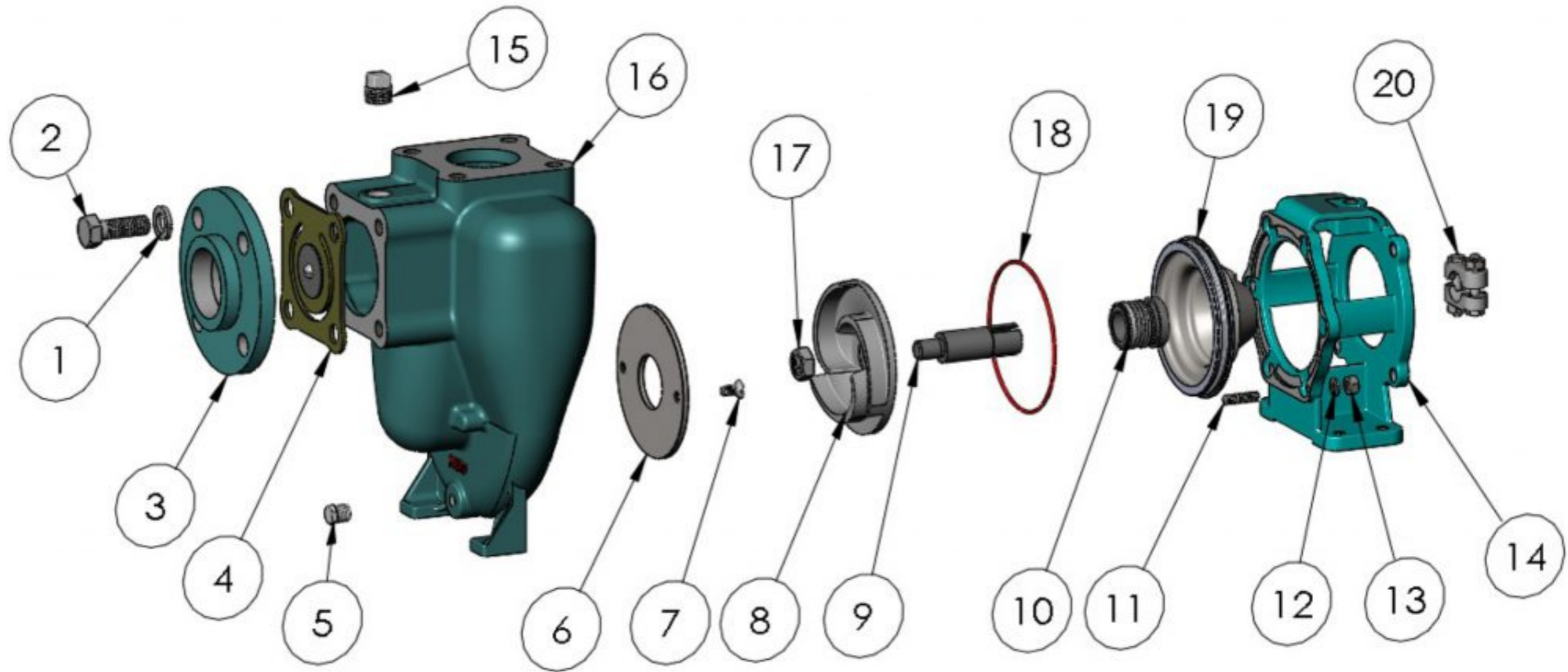


PART NO.	ITEM NO.	DESCRIPTION	QTY.	PART NO.	ITEM NO.	DESCRIPTION	QTY.
26853	1	LOCKWASHER S.S. - 5/8"	4	21284	13	HEXNUT - 5/16-18 - S.S.	8
36606	2	HEX HD. CAPSCREW S.S. - 5/8-11 X 1.75"	4	38704	14	ADAPTER A	1
36960	3	FLANGE S.S. - 2" NPT	1	22656	15	PIPE PLUG S.S. - 1/2" N.P.T.	1
* 37170	4	FLAPPER ASSY. - VITON	1	28276	16	HOUSING S.S.	1
21267	5	PIPE PLUG - 1/4" N.P.T. - S.S.	1	29194	17	HEX JAM NUT S.S. - 5/8-18	1
* 27978	6	WEAR PLATE - S.S.	1	34555	18	O-RING - VITON	1
28742	7	F.H. CAPSCREW 5/16-18 X 5/8" - S.S.	2	38708	19	SEAL ADAPTER S.S.	1
22294	8	IMPELLER - S.S. - Ø5.0	1	23002	20	CLAMP ASSEMBLY S.S.	1
22253	9	DRIVE SLEEVE - 5/8" - S.S.	1		A		
* 22272	10	SEAL ASSEMBLY - 1.00" ØT-2100	1				
28059	11	STUD - 5/16-18 x 1.19" - S.S.	6				
21238	12	LOCKWASHER - 5/16 - S.S.	8				

\*- RECOMMENDED REPLACEMENT PARTS



PART NO.	ITEM NO.	DESCRIPTION	QTY.	PART NO.	ITEM NO.	DESCRIPTION	QTY.
26853	1	LOCKWASHER S.S. - 5/8"	4	21284	13	HEXNUT - 5/16-18 - S.S.	8
36606	2	HEX HD. CAPSCREW S.S. - 5/8-11 X 1.75"	4	38704	14	ADAPTER A	1
36960	3	FLANGE S.S. - 2" NPT	1	22656	15	PIPE PLUG S.S. - 1/2" N.P.T.	1
* 37170	4	FLAPPER ASSY. - VITON	1	28276	16	HOUSING S.S.	1
21267	5	PIPE PLUG - 1/4" N.P.T. - S.S.	1	29194	17	HEX JAM NUT S.S. - 5/8-18	1
* 27978	6	WEAR PLATE - S.S.	1	34555	18	O-RING - VITON	1
28742	7	F.H. CAPSCREW 5/16-18 X 5/8" - S.S.	2	38708	19	SEAL ADAPTER S.S.	1
22294	8	IMPELLER - S.S. - Ø5.0	1	23003	20	CLAMP ASSEMBLY S.S.	1
28933	9	DRIVE SLEEVE - 7/8" - S.S.	1				
* 22272	10	SEAL ASSEMBLY - 1.00" ØT-2100	1				
28059	11	STUD - 5/16-18 x 1.19" - S.S.	6				
21238	12	LOCKWASHER - 5/16 - S.S.	8				

\*- RECOMMENDED REPLACEMENT PARTS