



### EN INTRODUCTION

This instruction sheet provides you with the information required to safely own and operate your product. Retain these instructions for future reference.

The product you have purchased is of the highest quality workmanship and material, and has been engineered to give you long and reliable service. This product has been carefully tested, inspected, and packaged to ensure safe delivery and operation. Please examine your item(s) carefully to ensure that no damage occurred during shipment. If damage has occurred, please contact the place of purchase. They will assist you in replacement or repair, if required.

**READ THESE INSTRUCTIONS CAREFULLY BEFORE ATTEMPTING TO INSTALL, OPERATE, OR SERVICE YOUR PRODUCT. KNOW THE PRODUCT'S APPLICATION, LIMITATIONS, AND POTENTIAL HAZARDS. PROTECT YOURSELF AND OTHERS BY OBSERVING ALL SAFETY INFORMATION. FAILURE TO COMPLY WITH THESE INSTRUCTIONS COULD RESULT IN PERSONAL INJURY AND/OR PROPERTY DAMAGE!**

#### SAFETY GUIDELINES



1. CAUTION: To reduce risk of electric shock, pull plug before servicing this pump.
2. This pump is designed to pump water. DO NOT PUMP strong chemicals, solvents, brines, or thick liquids such as oils or grease.
3. Do not pump flammable liquids such as gasoline or fuel oil.
4. During operation the area around the pump may be covered with water. Take care when handling the pump. Do not pull pump out of water when running by the power cord.
5. Do not stand in water when changing fuse.
6. Make sure outlet is grounded.
7. The National Electric Code requires a Ground Fault Circuit Interrupter (GFCI) be installed in the branch circuit supplying fountain equipment, ponds, etc. See your local electrical supply dealer for various brands of GFCI devices.
8. This pump's motor housing is filled with a dielectric lubricant at the factory for optimum motor heat transfer and lifetime lubrication of the bearings. Use of any other lubricant could cause damage and void the warranty. This lubricant is non-toxic; however, if it escapes the motor housing, it should be removed from the surface quickly by placing newspapers or other absorbent material on the water surface to soak it up, so aquatic life is undisturbed.

#### ELECTRICAL CONNECTIONS



Your pump is supplied with a 3-prong electrical plug. The third prong is to ground the pump to prevent possible electrical shock hazard. Do not remove the third prong from the plug.

A separate branch circuit is recommended. Do not use an extension cord.

#### INSTALLATION



1. Clean any debris from the sump pit and set the pump in the center of the pit. A solid bottom will prevent sand and dirt from clogging the pump.
2. Connect the discharge piping and run it to the nearest sewer or surface outlet. Use pipe joint compound at all connections. Sump pumps can be piped to discharge into the house drainage system, to a dry well, splash block, or to a storm drain, depending on local plumbing codes. The discharge pipe should be as short as possible and contain as few elbows as possible. The discharge pipe should be the same diameter as the discharge size to reduce pipe friction losses. Smaller pipe will restrict capacity and reduce pump performance. The sump pump comes with 1" female pipe thread discharge.
3. Always install a union in the discharge line, just above the sump pit, to allow for easy removal of the pump for cleaning or repair.
4. In situations where the piping is long, the vertical discharge is above 7 or 8 feet, or a small pit has been provided, use of a check valve is recommended to prevent backflow of water into the sump. When a check valve is used, drill a relief hole (1/8" or 3/16" diameter) in the discharge pipe. This hole should be located below the floor line between the pump discharge and the check valve. Unless such a relief hole is provided, the pump could air lock and will not pump water even though it will run.

5. Tape the switch cord and pump cord to the discharge line with electrician's tape. This will protect the cords from damage and will prevent them from interfering with the float.
6. TEST THE PUMP AFTER ALL CONNECTIONS HAVE BEEN MADE. Run water into sump. Do not attempt to operate the pump without water; this will damage the seals and bearings and could result in permanent damage to the pump. Fill sump to normal "on" level and allow pump to remove water to the normal "off" level (Figure 1).
7. Place the cover over the sump. This cover will prevent solid debris from filling the pit, reduce odors, and guard against accidental injury.

#### MAINTENANCE



The motor housing of the pump is completely sealed and requires no service. Disassembly of the motor housing or alteration of the power cord voids all warranty.

The motor is continuous duty type sealed in oil with an automatic thermal overload protector device.

The pump can run against a restricted discharge (such as a fountain) without damage to the pump.

1. If the pump becomes clogged, snap the screen off and clean out the area.
2. If necessary, remove the six screws holding the volute base to the motor housing and clean the volute.
3. If the impeller is removed, make sure that a spacing of .050" with shaft pushed toward housing is maintained when reassembling (Figure 2).
4. When reassembling, ensure that you install the seal ring between the volute base and the motor housing.

#### PERFORMANCE DATA

Maximum pumping height = 26.3'

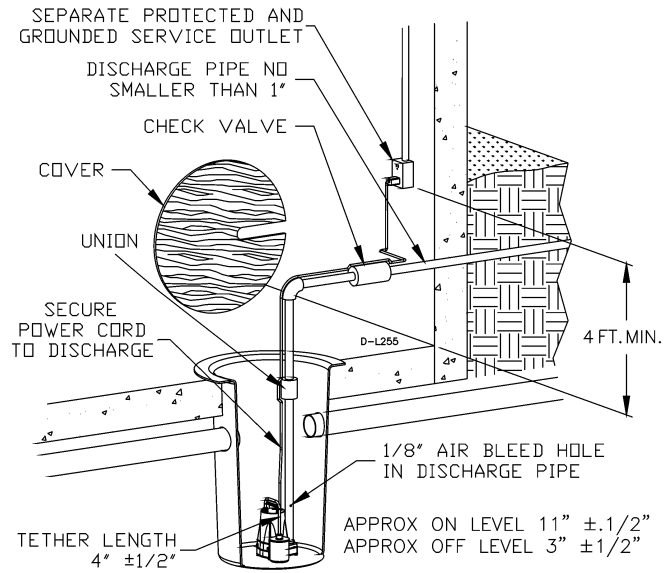
Maximum PSI = 11.4 PSIG

Discharge height above pumping level	1'	3'	5'	10'	15'	20'
Gallons per minute (water)	20.4	20	19	16	13	8

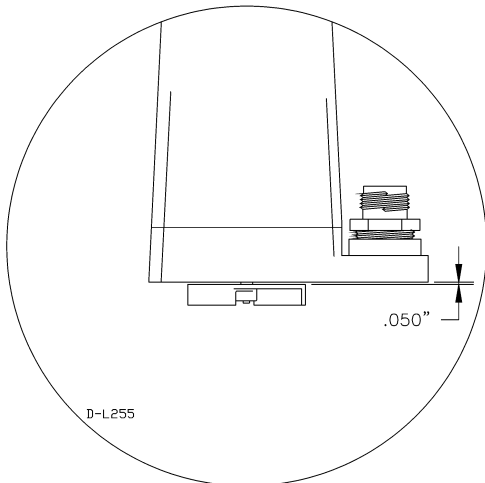
**NOTE:** Ratings based on 1" pipe with friction loss neglected. Using 3/4" garden hose adaptor performance will be reduced approximately 15%. This pump does not deliver enough pressure to operate lawn sprinklers properly.



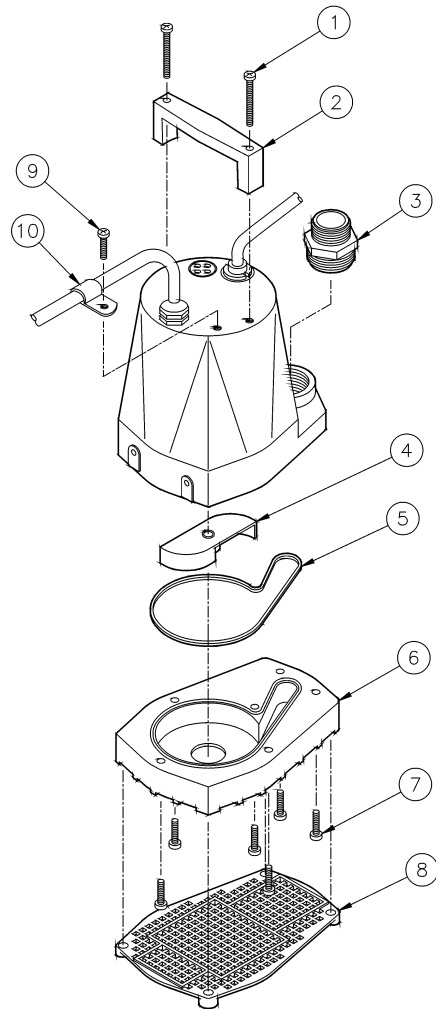
**TYPICAL INSTALLATION**



**FIGURE 1**



**FIGURE 2**



**REPLACEMENT PARTS LIST**

Item No.	Part No.	Description	Catalog No.
			505400
1	902441	Screw, #8 x 1-5/8"	2
2	105918	Handle	1
3	599030	Adaptor	1
4	105310	Impeller	1
5	928024	Seal ring	1
6	105375	Volute base	1
7	902434	Screw, #8-18 x 3/4"	6
8	105376	Screen	1
9	902431	Screw, #8-18 x 1/2"	1
10	927030	Loop clamp	1

## LIMITED WARRANTY

### THIS WARRANTY SETS FORTH THE COMPANY'S SOLE OBLIGATION AND PURCHASER'S EXCLUSIVE REMEDY FOR DEFECTIVE PRODUCT.

Franklin Electric Company, Inc. and its subsidiaries (hereafter "the Company") warrants that the products accompanied by this warranty are free from defects in materials or workmanship of the Company that exist at the time of sale by the Company and which occur or exist within the applicable warranty period. Any distributor, sub-distributor, recipient, end-user and/or consumer agrees that by accepting the receipt of the products, the distributor, sub-distributor, recipient, end user and/or consumer expressly agrees to be bound by the terms of the warranty set forth herein.

#### I. Applicable Warranty Period

The products accompanied by this warranty shall be covered by this Limited Warranty for a period of 12 months from the date of original purchase by the consumer. In the absence of suitable proof of purchase date, the warranty period of this product will begin to run on the product's date of manufacture.

#### II. Instructions Applicable to this Limited Warranty

1. Consumers wishing to submit a warranty claim must return the products accompanied by this warranty to the point of purchase for warranty consideration.
2. Upon discovery of a defect, any personal injury, property damage or any other type of resulting damage, if applicable, shall be reasonably mitigated to the extent possible.
3. At its discretion, the Company may inspect products either at its facilities, or in the field, and after determination of a warranty claim, will, at its option, repair or replace defective parts. Repaired or replaced parts will be returned freight prepaid by the Company.
4. This warranty policy does not cover any labor or shipping charges. The Company shall not be liable for any costs or charges attributable to any product testing, maintenance, installation, repair or removal, or for any tools, supplies, or equipment needed to install, repair, or remove any product.

#### III. Limitations Applicable to this Limited Warranty

##### THIS WARRANTY DOES NOT APPLY TO ANY OF THE FOLLOWING:

1. Brushes, impeller or cam on models with brush-type motors and/or flex-vane impellers.
2. Any product that is not installed, applied, maintained and used in accordance with the Company's published instructions, applicable codes, applicable ordinances and/or with generally accepted industry standards.
3. Any product that has been subject to misuse, misapplication, neglect, alteration, accident, abuse, tampering, acts of God (including lightning), acts of terrorism, acts of war, fire, improper storage or installation, improper use, improper maintenance or repair, damage or casualty, or to an excess of the recommended maximums as set forth in the product instructions.
4. Any product that is operated with any accessory, equipment, component, or part not specifically approved by the Company.
5. Use of replacement parts not sold by the Company, the unauthorized addition of non-Company products to other Company products, and the unauthorized alteration of Company products.
6. Products damaged by normal wear and tear, normal maintenance services and the parts used in connection with such service, or any other conditions beyond the control of the Company.
7. Any product that has been used for purposes other than those for which it was designed and manufactured.
8. Any use of the product where installation instructions and/or instructions for use were not followed.

9. Products connected to voltage other than indicated on nameplate.
10. Products where the pump was exposed to any of the following: sand, gravel, cement, grease, plaster, mud, tar, hydrocarbons, hydrocarbon derivatives (oil, gasoline, solvents, etc.) or other abrasive or corrosive substances.
11. Products in which the pump has been used to pump or circulate anything other than fresh water at room temperature.
12. Products in which the pump was allowed to operate dry (fluid supply cut off).
13. Products in which the sealed motor housing has been opened or the product has been otherwise dismantled by customer.
14. Products in which the cord has been cut to a length of less than three feet.

The Company reserves the right at any time, and from time to time, to make changes in the design and/or improvements upon its product without thereby imposing any obligation upon itself to make corresponding changes or improvements in or upon its products already manufactured and/or previously sold. The Company further reserves the right to substitute parts or components of substantially equal quality in any warranty service required by operation of this Limited Warranty.

This written Limited Warranty is the entire warranty authorized and offered by the Company. There are no warranties or representations beyond those expressed in this document.

**THIS WARRANTY AND REMEDY IS IN LIEU OF ALL OTHER WARRANTIES AND REMEDIES INCLUDING WITHOUT LIMITATION, WARRANTIES OF MERCHANTABILITY AND/OR FITNESS FOR A PARTICULAR PURPOSE, WHICH ARE HEREBY SPECIFICALLY DISCLAIMED AND EXPRESSLY EXCLUDED. CORRECTION OF NON-CONFORMITIES, IN THE MANNER AND FOR THE PERIOD OF TIME AS SET FORTH ABOVE, SHALL CONSTITUTE FULFILLMENT OF ALL LIABILITY OF THE COMPANY TO THE PURCHASER WHETHER BASED ON CONTRACT, NEGLIGENCE, OR OTHERWISE.**

**THE COMPANY SHALL NOT BE LIABLE FOR INCIDENTAL, CONSEQUENTIAL OR SPECIAL DAMAGES SUCH AS, BUT NOT LIMITED TO:**

**DAMAGE TO OR LOSS OF OTHER PROPERTY OR EQUIPMENT, LOSS OF USE OF EQUIPMENT, FACILITIES OR SERVICE, LOSS OF PROFIT OR SALES, COST OF PURCHASES OR REPLACEMENT GOODS, CLAIMS OF CUSTOMERS OF THE PURCHASER, FAILURE TO WARN AND/OR INSTRUCT, LOSS OF OTHER PRODUCTS, OR COSTS OF ENVIRONMENTAL REMEDIATION, OR DIMINUTION IN PROPERTY VALUE. THE REMEDIES OF THE PURCHASER SET FORTH HEREIN ARE EXCLUSIVE, AND THE LIABILITY OF THE COMPANY SHALL NOT, EXCEPT AS EXPRESSLY PROVIDED HEREIN, EXCEED THE PRICE OF THE PRODUCTS UPON WHICH SUCH LIABILITY IS BASED. DAMAGES AS SET FORTH IN THIS PARAGRAPH SHALL BE REASONABLY MITIGATED TO THE EXTENT POSSIBLE. THIS PARAGRAPH SHALL ALSO APPLY TO ALL DAMAGES RESULTING FROM CONDITIONS SET FORTH IN SECTION III ABOVE AND (1) DEFECTS IN PRODUCT PROTOTYPES OR REPLACEMENT PART PROTOTYPES THAT HAVE NOT BEEN PUT INTO PRODUCTION, CIRCULATED AND SOLD BY THE COMPANY, AND/OR (2) DEFECTS THAT WERE NOT FOUND AT THE TIME OF SALE DUE TO SCIENTIFIC AND TECHNOLOGICAL REASONS.**

This Limited Warranty gives you specific legal rights. You may have other rights, which vary according to the applicable laws and regulations. Where any term of this warranty is prohibited by such laws, it shall be null and void, but the remainder of this warranty shall remain in full force and effect.

**DISCLAIMER:** Any oral statements about the product made by the seller, the Company, the representatives or any other parties, do not constitute warranties, shall not be relied upon by the user, and are not part of the contract for sale. Seller's and the Company's only obligation, and buyer's only remedy, shall be the replacement and/or repair by the Company of the product as described above. Before using, the user shall determine the suitability of the product for his intended use, and user assumes all risk and liability whatsoever in connection therewith.

---

For technical assistance, please contact ..... 800.701.7894  
www.franklinwater.com  
CustomerService@lgpc.com

---