

Little Giant
 P. O. Box 12010
 Oklahoma City, OK 73157-2010
 405.947.2511 • Fax: 405.947.8720
 www.LittleGiant.com
 customerservice@lgpc.com

MODEL GKPK-SC COIL CLEANING KIT

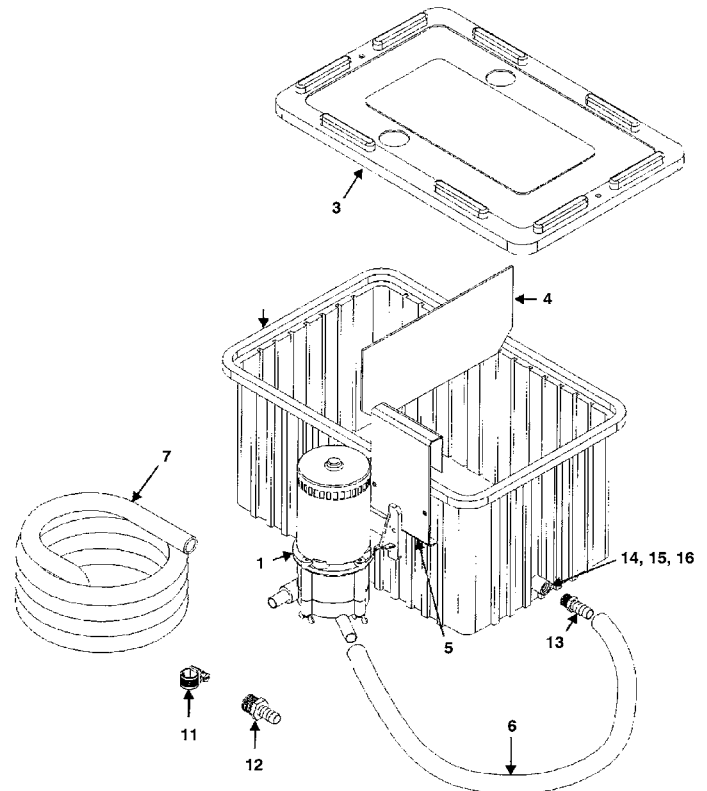
GENERAL INSTRUCTIONS: ASSEMBLY

1. Screw 3/8" MNPT x 1/2" hose fitting into through-hull fitting on end of tank. This is accomplished by holding the through-hull fitting in place with fingers and turning the hose fitting with a wrench. Tighten securely.
2. Attach filter element to fitting inside tank.
3. Attach pump to stainless steel mounting bracket as illustrated by using the two stainless steel screws and hex nuts.
4. Slip one end of 18" length of tubing over the 1/2" hose fitting on the tank, pushing the tubing on as far as possible, while supporting the through-hull fitting from inside the tank with free hand. Slip the other end of 18" length of tubing over the pump intake.
5. Place baffle in tank (as illustrated) about 2 to 4 inches from through-hull fitting.
6. Remove lid and hang the pump on outside of the tank as close to end (of the tank) as possible.
7. Slip the end of the 10' length of tubing over the pump discharge. Secure with stainless steel clamp.
8. Fill tank with water and place cover over tank with two small holes in cover on end of tank opposite through-hull fitting.
9. Place end of 10' hose through one of small holes in lid.
10. Connect pump to power source. Make sure pump is primed by pulling 10' hose end out of tank slightly to observe flow. Check all connections for leaks with pump running. Squeeze 10' tubing shut near pump and check again for possible leaks.
11. Kit is now ready for service application.

INSTRUCTIONS FOR FORCED DELIMING

1. Shut off both water inlet and outlet on coil unit to be serviced.
2. Drain coil completely, then shut off drain. **CAUTION:** Allow sufficient time for coil to cool before deliming.
3. Cut 10' tubing into two appropriate lengths necessary to connect Little Giant Coil Cleaning Kit to inlet and outlet water tees on coil. Two 1/2" MNPT x 1/2" hose fittings are provided. **NOTE:** Deliming solution should enter coil at bottom and exit at top.
4. Connect pump discharge line to lowest tee (generally on water outlet), using stainless steel clamps to secure tubing at pump and tee.
5. Connect remaining tubing to water inlet tee to form return line to Little Giant Coil Cleaning Kit tank. Insert end of line through one of the small holes of tank lid. **NOTE:** Care should be taken that return line cannot flip out of tank.
6. Fill Little Giant Coil Cleaning Kit tank with coil cleaning solution.
7. Connect pump to power source, checking visually for pump prime.
8. During servicing, the return line will be filled with bubbles; when bubbles disappear, unplug pump and allow solution to remain in coil for 10 to 15 minutes to ensure a clean tank.
9. Disconnect Little Giant Coil Cleaning Kit and drain solution.
10. Turn on coil water inlet gate valve and, with coil drain open, flush coil with fresh water for several minutes. Close drain and open coil outlet gate valve. **NOTE:** After every use of Model GKPK-SC, fill tank with at least two (2) gallons of fresh water and circulate through unit with pump in operation for at least three (3) minutes.

Failure to follow this procedure automatically voids warranty.



PARTS LIST

ITEM	PART NO.	DESCRIPTION	QTY
1	580523	2-MD-SC PUMP, 115V, 6 Ft. CORD	1
2	162114	TANK, GKPK, 5 GALLON CAPACITY	1
3	162125	COVER, TANK	1
4	162116	BAFFLE, TANK	1
5	162141	BRACKET, MOUNTING	1
6	944222	TUBING, 1/2" x 18"	1
7	944213	TUBING, 1/2" x 10'	1
8	929001	FILTER SCREEN	1
9	*901526	SCREW	2
10	*920028	HEX NUT	2
11	927004	HOSE CLAMP, 1/2"	5
12	941020	HOSE ADAPTOR, 1/2" MNPT x 12" HOSE	2
13	941021	HOSE ADAPTOR, 3/8" MNPT x 1/2" HOSE	1
14	941019	ADAPTOR	1
15	924018	O-RING, NITRILE	1
16	920030	NUT, HEX	1
17	944224	FILTER TUBING, 3/4" x 4"	1

*Not shown