

Models

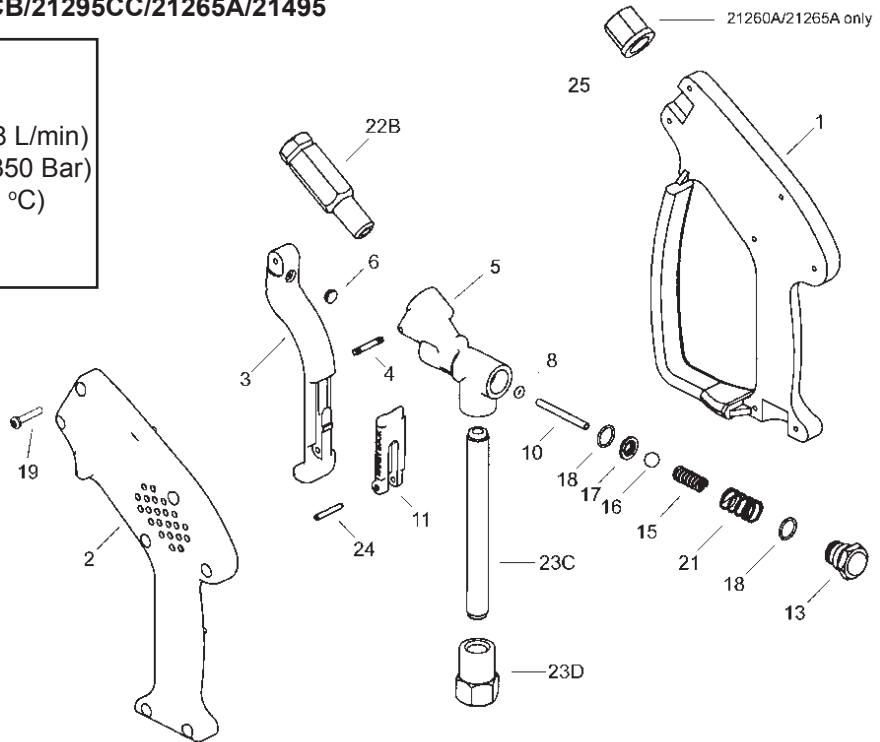
Shut-Off Guns

21290C, 21290C-001, 21290CB, 21290CC, 21290C-CR, 21490, 21295C, 21295CB, 21295CC, 21260A, 21265A, 21495

Non-Weep Guns: 21290C/21290C-001/21290CB/21290CC/21290C-CR/21260A/21490
Weep Guns: 21295C/21295CB/21295CC/21265A/21495

OPERATING SPECIFICATIONS

Maximum Flow: 10 GPM (38 L/min)
Maximum Pressure: 5000 PSI (350 Bar)
Maximum Temp.: 300 °F (150 °C)
Inlet Port: 3/8" FNPT
Outlet Port: 1/4" FNPT



Item	Part #	Description	Qty.	Item	Part #	Description	Qty.
1	21271A	Housing, Right, Black (except 21290CC/21295CC/21490/21495)	1	8	21210	O-Ring (except 21290C-001)	1
1	21343A	Housing, Right, Blue (21290CC/21295CC only)	1	8	21210-0010	O-Ring (21290C-001 only)	1
1	21271B	Housing, Right, Black (21490/21495 only)	1	10	21209	Control Bolt	1
2	21272A	Housing, Left, Black (except 21290CC/21295CC 21490/21495)	1	11	21274*	Lock, (except 21265A/21295C)	1
2	21344A	Housing, Left, Blue (21290CC/21295CC only)	1	11	21013+	Lock, (21265A/21295C only)	1
2	21272B	Housing, Left, Black (21490/21495 only)	1	13	21432	Cap	1
3	21273*	Trigger, black, non-weep	1	15	21431	Valve Spring	1
3	21012+	Trigger, blue, weep	1	16	21205	Valve Ball (except 21290C-CR)	1
4	21214	Pin	1	16	21357	Valve Ball, Ceramic (21290C-CR only)	1
5	06411	Valve Body	1	17	21218	Valve Seat, non-weep	1
6	21213**	Cam, Trigger	1	17	21237	Valve Seat, weep	1
				18	21217	O-Ring (except 21290C-001)	2
				18	21217-0010	O-Ring (21290C-001 only)	2
				19	21254	Self Tapping Screw	7
				21	21251	Spring	1
				22B	21279C	Discharge Fitting (except 21260A/21265A/21290CB/21295CB)	1
				22B	21279A	Discharge Fitting(21290CB/21295CB)	1
				23C	21331C	Inlet Tube(except 21290CB/21295CB)	1
				23C	21331	Inlet Tube(21290CB/21295CB)	1
				23D	21244	Inlet Fitting	1
				24	21236**	Lock Pin	1
				25	21275	Hex Bushing (21260A/21265A only)	1

Repair Kits (Includes items: 8, 10, 15-18, and 21)

Non-Weep Guns: # 21227
Weep Guns: # 21240

* Sold as an assembly - p/n 21001
 + Sold as an assembly - p/n 21001B

INSTALLATION & OPERATING INSTRUCTIONS

DISASSEMBLY OF THE 21200 SERIES

- 1) Remove the seven cheese head screws (item #19) that secure the two halves of the housing together. Remove housings (items #1 and #2).
- 2) Remove the cap (item #13), springs (items #21 and #15), and ball (item #16).
- 3) With a hooked screw driver, pull seat (#17) & o-ring (#18) out. Pull control bolt (#10) out. You may have to pick o-ring (#18) out of the valve body (#5) with a small hooked instrument.
- 4) Grease o-ring (#18) & control bolt (#10) & insert back into valve body (#15). Make sure it slides easily. Put o-ring (#18) on seat (#17) & push into place.
- 5) Assemble in reverse order.

WARNING: DO NOT USE ACID CONCENTRATES THROUGH GUN

WARNING: NEVER SECURE THE SHUT-OFF GUN IN AN OPEN POSITION (TRIGGER PULLED BACK) BY MEANS OTHER THAN THE OPERATOR'S HAND, ETC. BODILY HARM MAY OCCUR IF THE OPERATOR LOSES CONTROL OF THE SHUT-OFF GUN.

CAUTION: ALWAYS ENGAGE TRIGGER LOCKING MECHANISM (ITEM #11) WHEN NOT IN USE.

GIANT

Performance Under Pressure

Giant Industries, Inc.
900 N. Westwood Ave.
Toledo, Ohio 43607
Phone: 419-531-4600 Fax: 419-531-6836
www.giantpumps.com
© Copyright 2017 Giant Industries, Inc.