

Spray Gun Models 3381-0010 and 3381-0011



SPECIFICATIONS:

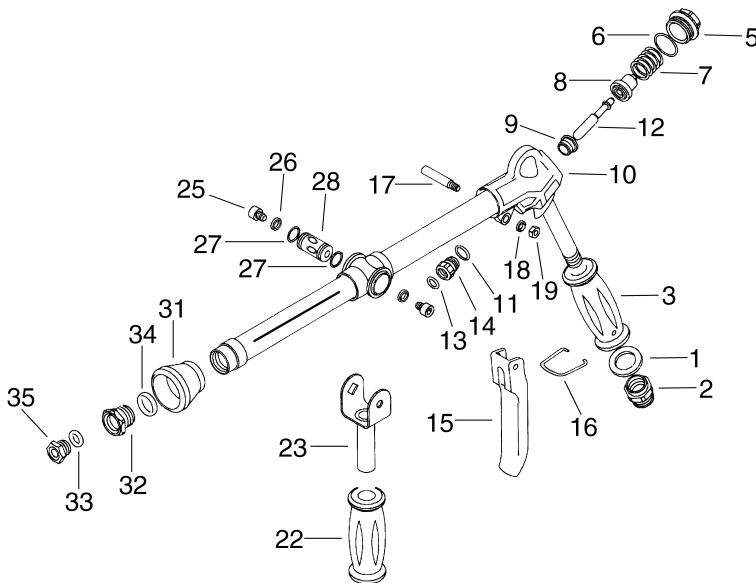
Maximum Pressure: 1200 psi

Maximum Capacity: Model 3381-0010 - 25 gpm
Model 3381-0011 - 30 gpm

Barrel Length: Model 3381-0010 - 17"
Model 3381-0011 - 21"

Port-NPT: 1/2" Inlet (M)

(Note: Gun comes equipped with a 1/2" hose barb inlet. Simply remove hose barb for 1/2" male inlet.)



| REF. NO. | QTY. REQ'D. | PART NUMBER | DESCRIPTION |
|----------|-------------|----------------|---|
| 1 | 1 | 9920-232 | Washer |
| 2 | 1 | 9920-230B | Inlet Port |
| 3 | 1 | 9920-193 | Hand Grip |
| 5 | 1 | 9920-231 | Plug |
| 6 | 1 | * | O-ring |
| 7 | 1 | 9920-233 | Spring |
| 8 | 1 | * | Poppet |
| 9 | 1 | * | Seat |
| 10 | 1 | 9920-7.1615.3 | Body, Welded Assy for -0010 |
| 10 | 1 | 9920-13.1615.8 | Body, Welded Assy for -0011 |
| 11 | 1 | * | O-ring |
| 12 | 1 | 9920-239 | Plunger |
| 13 | 1 | * | O-ring |
| 14 | 1 | 9920-241 | Guide |
| 15 | 1 | 9920-246 | Trigger |
| 16 | 1 | 9920-245C | Locking Clip |
| 17 | 1 | 9920-194 | Pin |
| 18 | 1 | 9920-1751 | Washer |
| 19 | 1 | 9920-5587-68 | Nut |
| 22 | 1 | 9920-192 | Front Grip |
| 23 | 1 | 9920-247 | Bracket |
| 25 | 2 | 9920-5931 | Bolt |
| 26 | 2 | 9920-1751 | Washer |
| 27 | 2 | * | O-ring |
| 28 | 1 | 9920-237 | Regulator |
| 31 | 1 | 9920-183 | Shroud for -0010 |
| 31 | 1 | 9920-408 | Shroud for -0011 |
| 32 | 1 | 9920-158 | Nozzle Retainer for -0010 |
| 32 | 1 | 9920-407 | Nozzle Retainer for -0011 |
| 33 | 1 | * | O-ring |
| 34 | 1 | * | O-ring |
| 35 | 1 | 3385- | Nozzles 3385-2300, -3000, -3500, -4000, -4500, -5000, -5500, -6000, -7000 |
| 36 | 1 | 9910-110130 | Hose Barb, wing nut, gasket |

Note: When ordering parts, give QUANTITY, PART NUMBER, DESCRIPTION and COMPLETE ACCESSORY NUMBER. Reference numbers are used ONLY to identify parts in the drawing and are NOT to be used as order numbers.

* **Repair Kit No. 9920-KIT10/11** consists of the following:
(1) Ref. 6 O-ring 9920-3100, (1) Ref. 8 Poppet 9920-71903.1, (1) Ref. 9 Seat 9920-129, (1) Ref. 11 O-ring 9920-2050, (1) Ref. 13 O-ring 9920-109, (2) Ref. 27 O-rings 9920-119, (1) Ref. 33 O-ring 9920-115, and (1) Ref. 34 O-ring 9920-124.

Spray Gun Performance Chart for 3381-0010 and 3381-0011

| HYPRO MODEL NUMBER | ORIFICE DIAMETER (mm) | EQUIVALENT NOZZLE NUMBER | PERFORMANCE | PRESSURE SETTING (PSI) ** | | | | | | | | | | | | | |
|--------------------|-----------------------|--------------------------|------------------|---------------------------|----------|---------|----------|---------|----------|---------|----------|---------|----------|---------|----------|---------|----------|
| | | | | 200 PSI | | 350 PSI | | 500 PSI | | 600 PSI | | 650 PSI | | 700 PSI | | 850 PSI | |
| | | | | Cone | Straight | Cone | Straight | Cone | Straight | Cone | Straight | Cone | Straight | Cone | Straight | Cone | Straight |
| 3385-2300 | 2.3 | 14 | -0010 Flow (GPM) | 2.1 | 2.8 | 2.7 | 3.6 | 3.3 | 4.4 | 3.7 | 4.8 | 3.9 | 5.0 | 4.0 | 5.2 | 4.4 | 5.5 |
| | | | -0011 Flow (GPM) | 2.8 | 2.8 | 3.7 | 3.7 | 4.5 | 4.9 | 4.9 | 5.1 | 5.1 | 5.3 | 5.3 | 5.7 | 5.7 | |
| | | | MAX THROW (FT)* | 11.4 | 29.0 | 12.9 | 33.9 | 14.8 | 37.9 | 16.6 | 41.5 | 17.0 | 41.7 | 17.7 | 42.0 | 19.0 | 45.7 |
| 3385-3000 | 3.0 | 23 | -0010 Flow (GPM) | 2.9 | 5.3 | 3.8 | 6.8 | 4.7 | 8.1 | 5.2 | 8.9 | 5.4 | 9.2 | 5.6 | 9.6 | 6.2 | 10.6 |
| | | | -0011 Flow (GPM) | 5.3 | 5.3 | 6.8 | 6.9 | 8.0 | 8.2 | 8.8 | 9.1 | 9.1 | 9.4 | 9.4 | 9.8 | 10.3 | 10.7 |
| | | | MAX THROW (FT)* | 11.7 | 29.2 | 12.9 | 33.9 | 13.8 | 36.2 | 15.6 | 40.8 | 16.0 | 40.7 | 16.2 | 42.0 | 17.0 | 44.1 |
| 3385-3500 | 3.5 | 29 | -0010 Flow (GPM) | 3.7 | 7.4 | 4.9 | 9.7 | 6.1 | 11.5 | 6.7 | 12.6 | 6.9 | 13.1 | 7.2 | 13.5 | 7.9 | 14.6 |
| | | | -0011 Flow (GPM) | 7.0 | 7.6 | 9.0 | 9.8 | 10.7 | 11.7 | 11.5 | 12.8 | 11.9 | 13.4 | 12.2 | 13.9 | 12.8 | 15.2 |
| | | | MAX THROW (FT)* | 13.6 | 36.2 | 19.0 | 41.2 | 22.6 | 45.3 | 25.5 | 50.0 | 25.5 | 51.0 | 27.0 | 51.5 | 28.8 | 54.0 |
| 3385-4000 | 4.0 | 40 | -0010 Flow (GPM) | 4.2 | 9.5 | 5.6 | 12.1 | 6.8 | 14.4 | 7.5 | 15.8 | 7.7 | 16.5 | 8.0 | 17.1 | 8.7 | 18.7 |
| | | | -0011 Flow (GPM) | 8.1 | 9.5 | 10.3 | 12.2 | 12.0 | 14.6 | 13.0 | 16.0 | 13.4 | 16.7 | 13.7 | 17.3 | 14.5 | 19.0 |
| | | | MAX THROW (FT)* | 15.1 | 37.7 | 20.6 | 42.8 | 24.3 | 47.0 | 27.2 | 53.0 | 27.2 | 54.0 | 28.5 | 55.0 | 29.0 | 59.0 |
| 3385-4500 | 4.5 | 54 | -0010 Flow (GPM) | 4.8 | 11.5 | 6.2 | 14.9 | 7.4 | 17.9 | 8.2 | 19.7 | 8.5 | 20.5 | 8.8 | 21.2 | 9.4 | 23.2 |
| | | | -0011 Flow (GPM) | 9.6 | 11.6 | 11.6 | 15.1 | 13.3 | 18.1 | 14.3 | 19.7 | 14.7 | 20.6 | 15.2 | 21.4 | 16.3 | 23.5 |
| | | | MAX THROW (FT)* | 18.1 | 39.2 | 22.2 | 44.3 | 26.0 | 50.1 | 30.6 | 54.0 | 30.6 | 56.0 | 31.0 | 57.0 | 31.5 | 62.0 |
| 3385-5000 | 5.0 | 67 | -0010 Flow (GPM) | 5.4 | 13.1 | 7.0 | 16.8 | 8.4 | 20.2 | 9.2 | 22.0 | 9.6 | 22.8 | 9.6 | 23.8 | 10.7 | 25.9 |
| | | | -0011 Flow (GPM) | 10.2 | 13.2 | 12.5 | 17.0 | 14.6 | 20.4 | 15.9 | 22.0 | 16.4 | 23.0 | 17.0 | 23.6 | 18.4 | 25.6 |
| | | | MAX THROW (FT)* | 19.6 | 40.7 | 23.8 | 47.0 | 27.5 | 53.3 | 32.3 | 59.0 | 32.3 | 61.0 | 32.8 | 62.0 | 32.8 | 67.0 |
| 3385-5500 | 5.5 | 79 | -0010 Flow (GPM) | 6.0 | 15.0 | 7.7 | 19.2 | 9.3 | 23.1 | 10.2 | 25.4 | 10.6 | 26.5 | 11.0 | 27.6 | 12.0 | 30.5 |
| | | | -0011 Flow (GPM) | 10.7 | 15.4 | 13.7 | 20.2 | 16.1 | 24.1 | 17.5 | 26.2 | 18.2 | 27.1 | 18.7 | 28.0 | 20.2 | 29.8 |
| | | | MAX THROW (FT)* | 19.6 | 42.2 | 23.8 | 50.7 | 29.0 | 57.0 | 34.0 | 63.0 | 34.0 | 64.0 | 34.5 | 65.0 | 34.5 | 70.0 |
| 3385-6000 | 6.0 | 91 | -0010 Flow (GPM) | 5.9 | 16.6 | 7.6 | 21.0 | 8.6 | 25.6 | 9.2 | 27.8 | 9.6 | 29.0 | 9.7 | 30.1 | 10.2 | 32.0 |
| | | | -0011 Flow (GPM) | 11.3 | 17.2 | 14.6 | 21.6 | 16.9 | 25.8 | 18.6 | 28.4 | 19.6 | 29.6 | 20.3 | 30.9 | 21.9 | 34.3 |
| | | | MAX THROW (FT)* | 21.1 | 43.7 | 25.3 | 54.0 | 30.7 | 60.0 | 35.6 | 66.0 | 35.6 | 67.0 | 36.0 | 68.0 | 36.0 | 74.0 |
| 3385-7000 | 7.0 | 117 | -0010 Flow (GPM) | 6.7 | 20.0 | 8.8 | 26.2 | 10.8 | 30.5 | 12.1 | 33.4 | 12.6 | 34.7 | 13.2 | 36.0 | 14.8 | 39.1 |
| | | | -0011 Flow (GPM) | 12.7 | 19.6 | 16.1 | 25.2 | 19.2 | 29.8 | 20.9 | 32.4 | 21.8 | 33.5 | 22.5 | 34.6 | 24.5 | 37.1 |
| | | | MAX THROW (FT)* | 21.1 | 46.8 | 25.3 | 57.0 | 30.7 | 63.0 | 37.4 | 70.0 | 37.4 | 71.0 | 38.0 | 72.0 | 38.0 | 77.0 |

* Figures shown are guidelines for vertical throw.

** Pressures based on relief valve settings at straight throw.



HYPRO

Pentair Water

SPRAY GROUP

375 Fifth Avenue NW • New Brighton, MN 55112
 Phone: (651) 766-6300 • 800-424-9776 • Fax: 800-323-6496
www.hypropumps.com