



# Turbo 400 Spray Gun

# 3381-0013

## SPECIFICATIONS

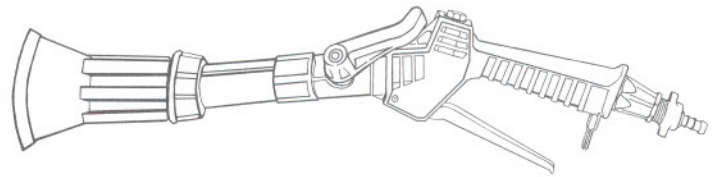
**Maximum Pressure:** 700 PSI

**Maximum Capacity:** 10 GPM

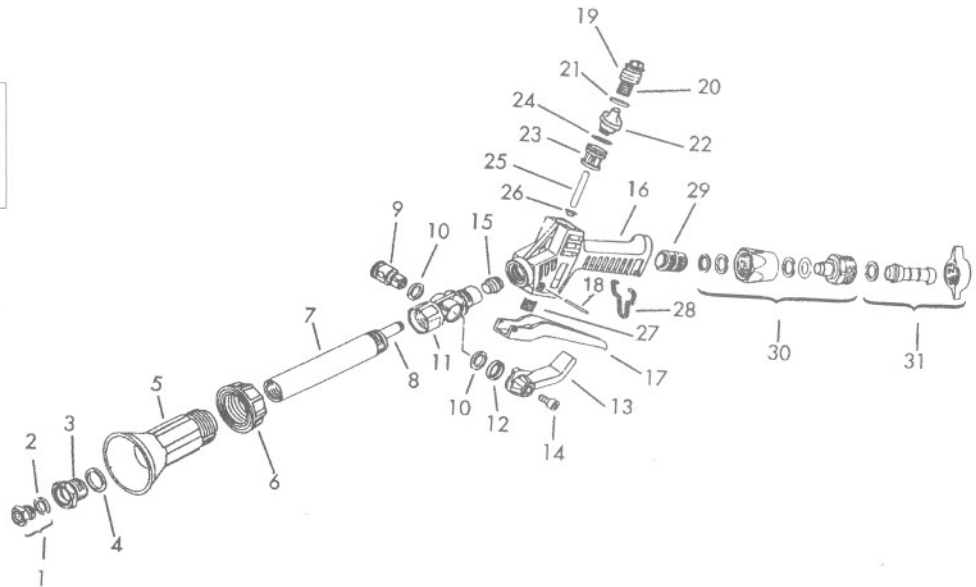
**Barrel Length:** 7"

**Port-NPT:** 1/2" Inlet (M)

(Note: Gun comes equipped with a 1/2" hose barb inlet. Simply remove hose barb for 1/2" male inlet.)



Note: When ordering parts, give QUANTITY, PART NUMBER, DESCRIPTION and COMPLETE ACCESSORY NUMBER. Reference numbers are used ONLY to identify parts in the drawing and are NOT to be used as order numbers.



REF. NO.	QTY. REQ'D.	PART NUMBER	DESCRIPTION	REF. NO.	QTY. REQ'D.	PART NUMBER	DESCRIPTION
1	1	3385-3000	Nozzle (Standard)	17	1	9920-29902-8	Plastic Trigger
2	1	9920-7602-1	O-ring	18	1	9920-291607-3	Pin
3	1	9920-261701-10	Nozzle Holder	19	1	9920-291702-26	Plug
4	1	9920-68602-10	O-ring	20	1	9920-291003-24	Spring
5	1	9920-261707-2	Nozzle Protector	21	1	9920-23602-37	O-ring
6	1	9920-26605-50	Locking Ferrule	22	1	9920-231310-8	Seat
7	1	9920-261703-69	Barrel	23	1	9920-231603-36	Valve Retainer
8	1	9920-261703-55	Stream Straightener	24	1	9920-23602-36	O-ring
9	1	9920-261304-33	Valve	25	1	9920-231304-29	Pin
10	2	9920-71602-6	O-ring	26	1	9920-23601-35	Gasket
11	1	9920-26305-3	Valve Body	27	1	9920-231003-16	Spring
12	1	9920-261506-14	Spacer	28	1	9920-29507-10	Clip
13	1	9920-26902-6	Adjusting Lever	29	1	9920-291101-1	Nipple
14	1	9920-261902-20	Screw Insert	30	1	9920-261502-45	Swivel Connection
15	1	9920-26801-5	Ferrule Insert	31	1	9920-162604-17	Hosebarb, Nut and Gasket
16	1	9920-29208-131	Gun Body				

△ Trigger Valve Repair Kit No. 3430-0460

⊕ Gun Repair Kit No. 3430-0461



A WICOR COMPANY

**AGRICULTURAL PRODUCTS**

375 Fifth Avenue NW • New Brighton, MN 55112-3288  
Phone: (651) 766-6300 • 800-424-9776 • Fax: 800-323-6496

[www.hypropumps.com](http://www.hypropumps.com)