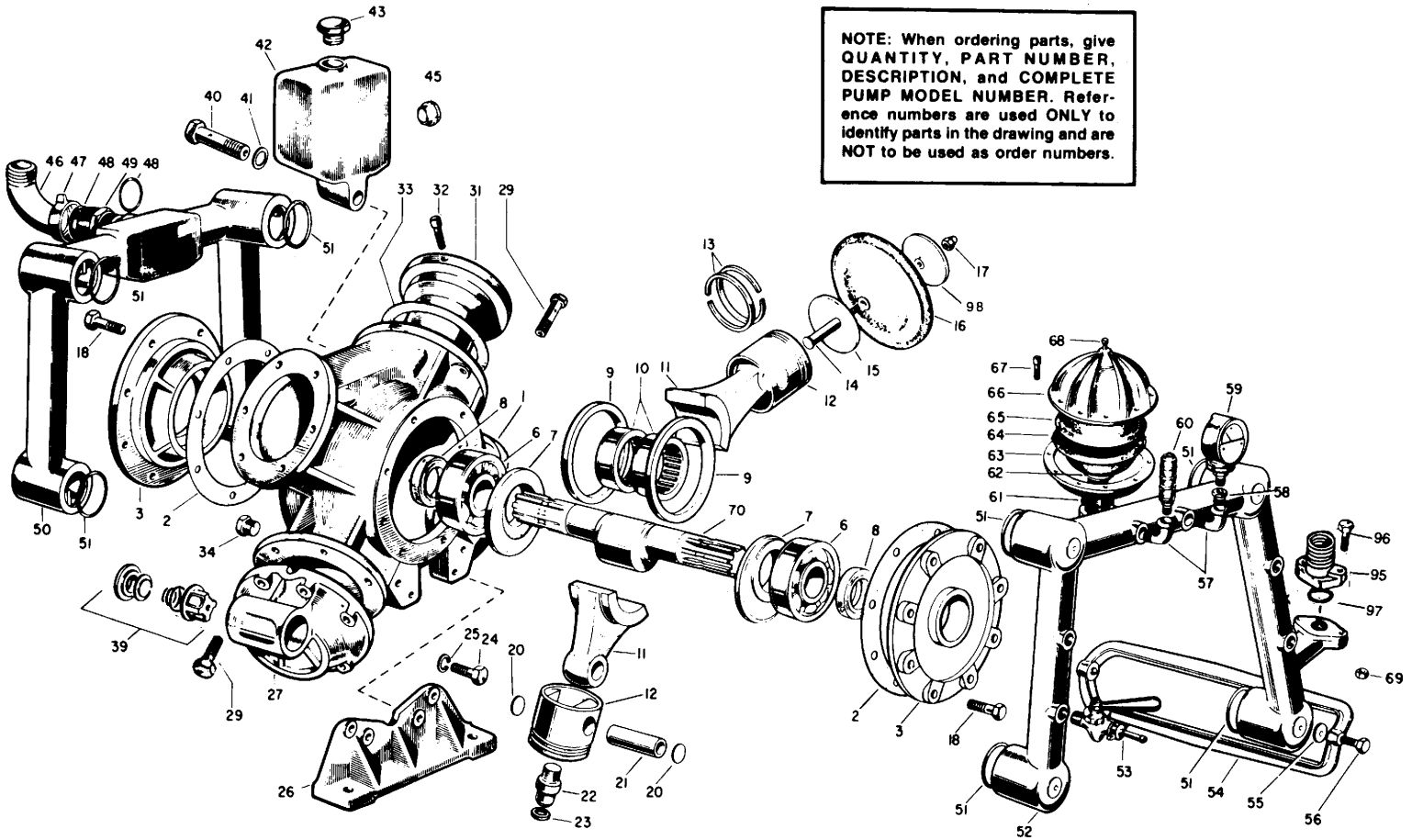


Hypro® Models 9910-D1900



NOTE: When ordering parts, give QUANTITY, PART NUMBER, DESCRIPTION, and COMPLETE PUMP MODEL NUMBER. Reference numbers are used ONLY to identify parts in the drawing and are NOT to be used as order numbers.

REF. NO.	PART NUMBER	DESCRIPTION	QTY. REQ'D
1	9910-250010	Pump Body	1
▲ 2	9910-161140	Gasket	2
3	9910-160680	Bearing Support Housing	2
6	9910-160750	Ball Bearings	2
7	9910-160790	Spacer	2
8	9910-160740	Seal	2
9	9910-160820	Retainer Ring	2
10	9910-160800	Roller Bearing	2
11	9910-250330	Connecting Rod	4
12	9910-260240	Piston	4
13	9910-260230	Piston Ring	8
14	9910-160320	Retaining Bolt	4
15	9910-160280	Diaphragm Support Washer	4
■ 16	9910-260295	Diaphragm	4
17	9910-160131	Lock Nut	4
18	9910-160670	Bolt (10MAx35)	16
20	9910-160691	Connecting Rod Retainer	8
21	9910-260701	Connecting Rod Pin	4
22	9910-160260	Lock Nut	4
23	9910-160270	Washer	4
24	9910-540210	Bolt (12MAx25)	8
25	9910-250141	Lock Washer	8
26	9910-250150	Base	2

REF. NO.	PART NUMBER	DESCRIPTION	QTY. REQ'D
27	9910-260330	Head Assembly	4
29	9910-250470	Bolt	24
31	9910-260250	Piston Sleeve	4
32	9910-160660	Bleeder Bolt (8MAx35)	4
▲ 33	9910-260770	Gasket	4
34	9910-30171	Oil Drain Plug	1
□ 39	9910-259040	Valve Assembly	8
40	9910-160890	Bolt	1
41	9910-160650	Washer	2
42	9910-250241	Oil Reservoir	1
43	9910-10310	Oil Reservoir Cap	1
45	9910-540600	Sight Glass	1
46	9910-540550	1½" Hose Barb (Inlet)	1
47	9910-540540	Barb Nut	1
▲ 48	9910-250310	O-Ring	1
49	9910-540530	Threaded Adapter	1
50	9910-250350	Suction Manifold	1
□▲ 51	9910-280210	O-Ring	16
52	9910-250400	Discharge Manifold	1
53	9910-160140	Ball Valve Body Assembly	4
98	9910-540510	Diaphragm Support Washer	4

KEY TO SYMBOLS

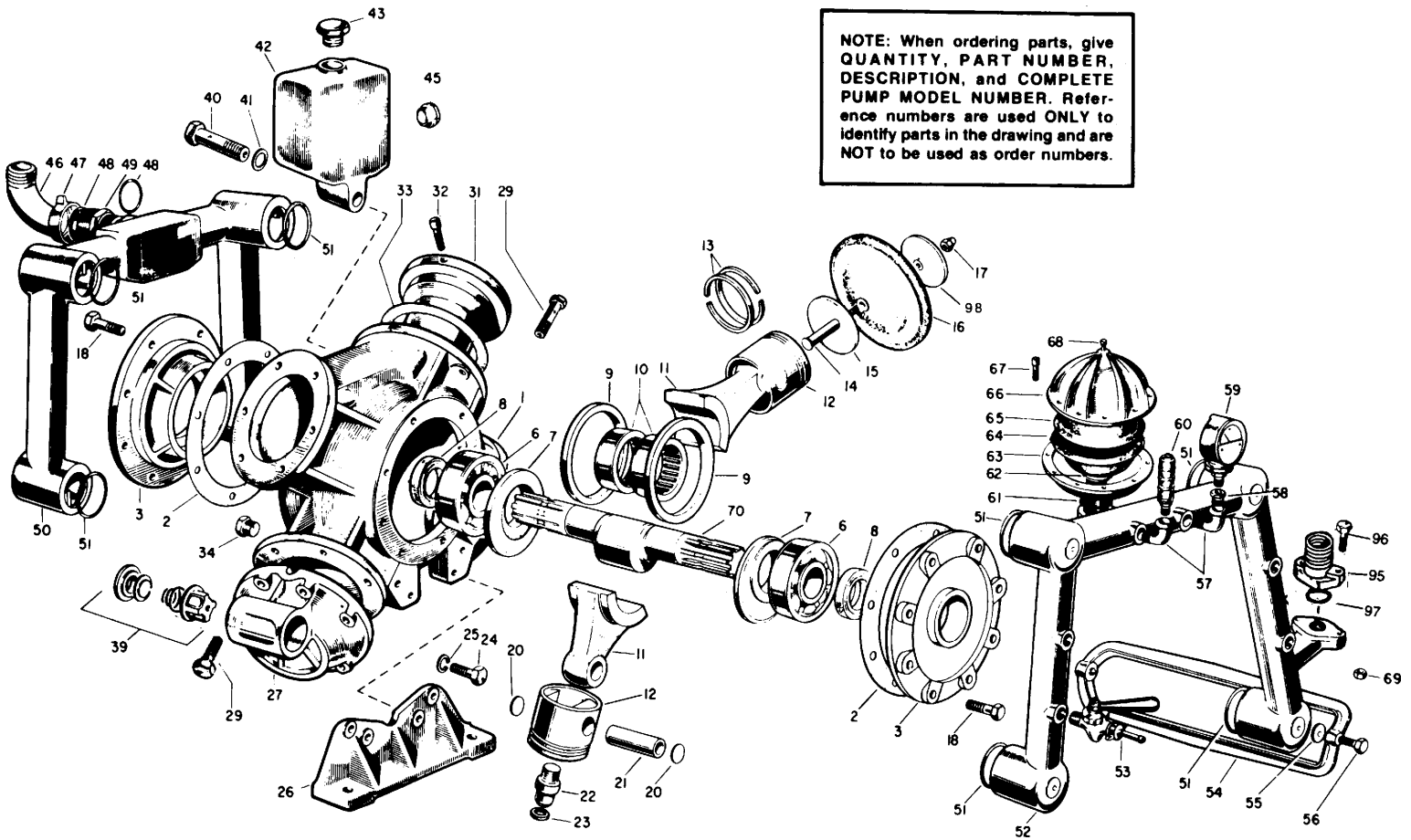
REPAIR & MAINTENANCE KITS AVAILABLE

▲ O-Ring/Gasket Parts Kit No. 9910-KIT1739 consists of: Ref. 2 (2 ea.) O-Rings, Ref. 33 (4 ea.) Gaskets, Ref. 48 (1) O-Ring, Ref. 51 (16 ea.) O-Rings, Ref. 61 (1) O-Ring.

■ Diaphragm Parts Kit No. 9910-KIT1729 consists of: Ref. 16 (4 ea.) Diaphragms, Ref. 51 (16 ea.) O-Rings, Ref. 64 (1) Accumulator Diaphragm, Ref. 65 (1) Accumulator Diaphragm Support.

□ Valve Parts Kit No. 9910 — KIT1793 consists of: Ref. 51 (16 ea.) O-Rings, Ref. 39 (8 ea.) Valves.

Hypro® Models 9910-D1900



REF. NO.	PART NUMBER	DESCRIPTION	QTY. REQ'D
54	9910-250301	Retaining Clamp	4
55	9910-160640	Washer	4
56	9910-540100	Bolt	4
57	9910-120150	Male to Female Street Elbow	2
58	9910-30170	Male to Female Pipe Reducer	1
59	2640-0002	Pressure Gauge (Oil Filled)	1
60	9910-269050	Safety Relief Valve Assembly	1
▲ 61	9910-390290	O-Ring	1
62	9910-200010	Accumulator Baffle Plug	1
63	9910-230270	Accumulator Base	1

REF. NO.	PART NUMBER	DESCRIPTION	QTY. REQ'D
■ 64	9910-180050	Accumulator Diaphragm	1
■ 65	9910-180051	Accumulator Diaphragm Support	1
66	9910-250080	Accumulator Head	1
67	9910-180030	Bolt (8MAx20)	1
68	9910-180020	Air Valve	1
69	9910-380240	Nut	2
70	9910-160731	Crankshaft — Splined Both Ends	1
95	9910-540651	Relief Valve Mounting Flange	1
96	9910-380250	Bolt	2
97	9910-680070	O-Ring	1

KEY TO SYMBOLS REPAIR & MAINTENANCE KITS AVAILABLE

▲ O-Ring/Gasket Parts Kit No. 9910-KIT1739 consists of: Ref. 2 (2 ea.) O-Rings, Ref. 33 (4 ea.) Gaskets, Ref. 48 (1) O-Ring, Ref. 51 (16 ea.) O-Rings, Ref. 61 (1) O-Ring.

■ Diaphragm Parts Kit No. 9910-KIT1729 consists of: Ref. 16 (4 ea.) Diaphragms, Ref. 51 (16 ea.) O-Rings, Ref. 64 (1) Accumulator Diaphragm, Ref. 65 (1) Accumulator Diaphragm Support.

□ Valve Parts Kit No. 9910 — KIT1793 consists of: Ref. 51 (16 ea.) O-Rings, Ref. 39 (8 ea.) Valves.