

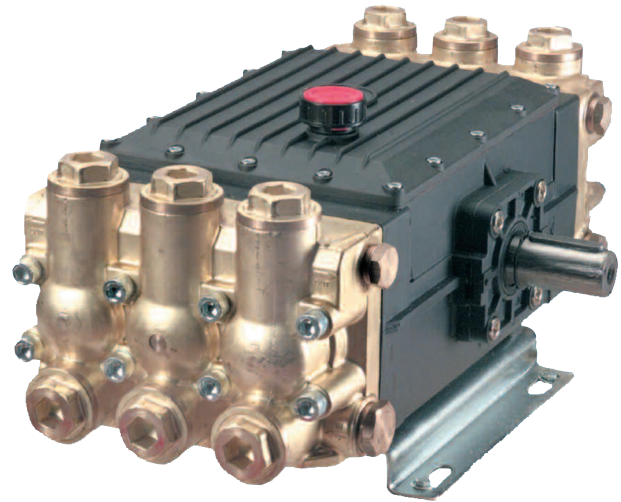
GENERAL PUMP A member of the Interpump Group

CW1541

36 mm bore - Sixplex Plunger Pump

FEATURES

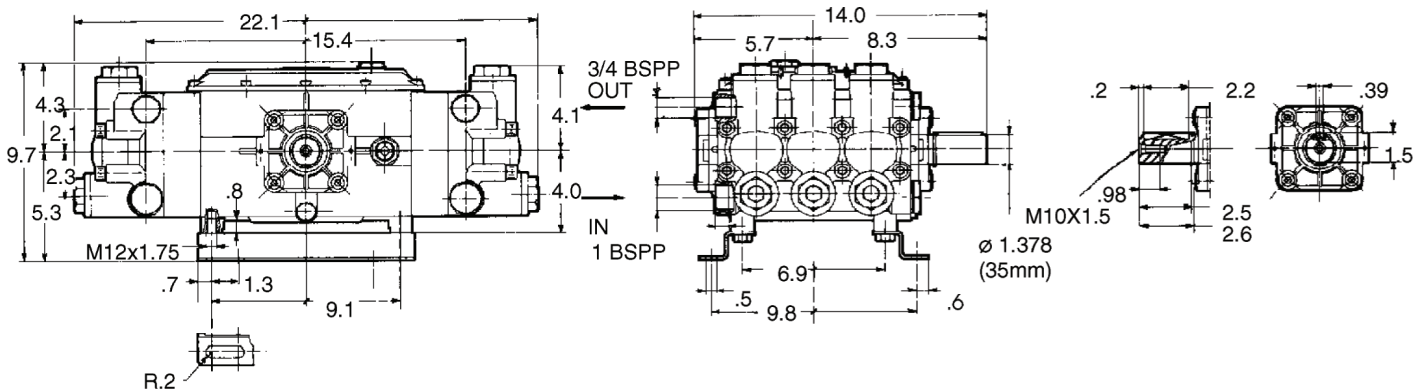
- Most widely used pump frame in the touchless carwash industry
- Forged brass manifold with an exclusive lifetime warranty
- High flow applications
- Dual manifolds utilizing a common crankcase for efficient performance
- Solid ceramic plungers with continuously lubricated packings
- Unitized Stainless Steel inlet and discharge valves
- Bronze connecting rods for maximum life



SPECIFICATIONS

Pump Model	CW1541
Maximum Volume	41.0 GPM
Maximum Discharge Pressure	1200 PSI
Maximum Pump Speed	1000 RPM
Maximum Inlet Pressure	125 PSI
Maximum Inlet Vacuum	9 ft. water (7.9 in. Hg)
Plunger Bore (in / mm)	1.417 in. / 36 mm
Plunger Stroke (in / mm)	1.102 in. / 28 mm
Oil Capacity	2 quarts
Maximum Fluid Temperature	165° F
Inlet Port Thread	1-11 NPT-F
Discharge Port Thread	3/4"-14 NPT-F
Shaft Diameter	1.378 in. / 35 mm
Weight	156.0 lbs.
Dimensions	22.1" x 14.0" x 9.7"

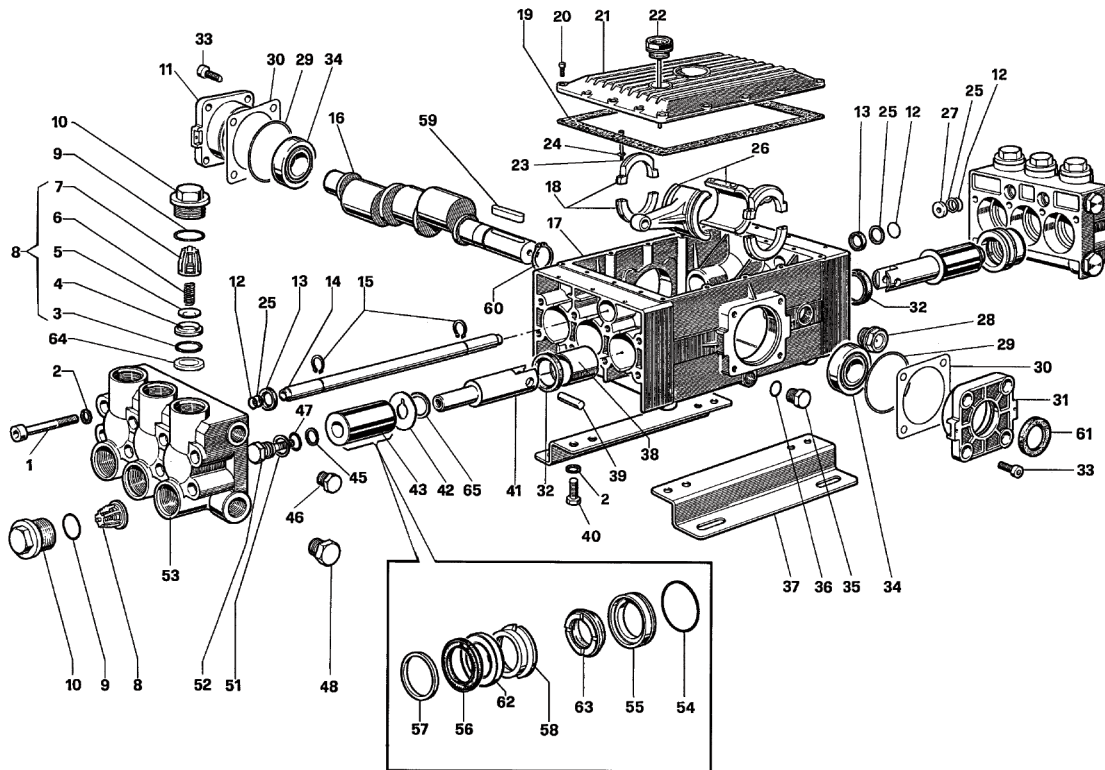
DIMENSIONAL DRAWING



Ref 300322 Rev. K
01-13

CW1541 - 36 mm bore

GENERAL PUMP *A member of the Interpump Group*



PARTS LIST

ITEM	PART NO.	DESCRIPTION	QTY.	ITEM	PART NO.	DESCRIPTION	KIT NO.	QTY.	ITEM	PART NO.	DESCRIPTION	KIT NO.	QTY.
1.	99441800	Screw, M12x90	16	23.	99192700	Screw, M6x35	12	46.	98226700	Cap	3		
2.	96719500	Washer, M12	20	24.	203510	Washer, M6.4	12	47.	701115	O-ring, .674x.103	6		
3.	90405900	O-ring, 1.296x.139	12	25.	90509100	Anti-ext. Ring	4	48.	98232700	Cap	2		
4.	36201166	Valve Seat	12	26.	77030241	Connecting Rod	3	51.	96755500	Washer, M22	6		
5.	36201076	Valve	12	27.	77220370	Plug	2	52.	69219566	Plunger Bolt	6		
6.	94745000	Spring	12	28.	97596800	Oil Indicator	1	53.	77125141	Manifold, NPT	2		
7.	36200951	Valve Guide	12	29.	90414100	O-ring, 3.359x.139	2	54.	90390300	O-ring, .924x.103	6		
8.	36706501	Valve Unit	12	30.	76220078	Shim	2	55.	76080170	Packing Retainer	6		
9.	90406500	O-ring	12	31.	76150022	Crankcase	1	56.	90282000	Packing, H.P.	6		
10.	98242000	Cap	12	32.	90167000	Oil Seal	6	57.	69100293	Head Ring	6		
11.	76150122	Cover	1	33.	200052	Screw, M10x20	8	58.	69217070	Intermed. Ring	6		
12.	90383500	O-Ring	4	34.	91847400	Bearing	2	59.	91497800	Key	1		
13.	90161400	Oil Seal	4	35.	98210000	Plug	1	60.	90069500	Snap Ring	1		
14.	77212293	Head Conn. Tube	1	36.	90383300	O-ring, .549x.103	1	61.	90167200	Oil Seal	1		
15.	90060500	Snap Ring	2	37.	76200074	Pump Rail	2	62.	90281800	Restop Ring	6		
16.	76021035	Crankshaft	1	38.	90917400	Bushing	6	63.	90282300	Packing, L.P.	6		
17.	77010022	Crankcase	1	39.	97740000	Plunger Pin	6	64.	96757000	Back-up Ring Valve Seat	12		
18.	77212001	Ring, Clamp, Conn. Rod	6	40.	99426600	Screw, M12x25	4	65.	76211470	Plunger Spacer	6		
19.	77211884	Cover Gasket	1	41.	77050054	Plunger Guide	6						
20.	99186700	Screw	16	42.	96756800	Washer, M22.3	6						
21.	77211422	Cover	1	43.	69040009	Plunger (36 mm)	6						
22.	98227300	Oil Dipstick	1	45.	90510700	Back-up Ring	6						

REPAIR KITS

KIT NO.	K32	K41	K44	K74	K939	K940	K942	K943	100463	100564
ITEM NO's INCLUDED IN KIT	61	58	32	45, 47, 51, 52	54, 55, 56, 57, 58, 62, 63	54, 55	57	3, 4, 5, 6, 7, (8), 64	54, 55, 56, 57, 58, 62, 63	54, 56, 62, 63
NUMBER OF ASSEMBLIES IN KIT	2	6	3	3	1	3	3	6	6	6
NUMBER OF CYLINDERS KIT WILL SERVICE	-	3	3	3	1	3	3	3	6	6

TORQUE SPECS*

Pos.	Ft/lb	Nm
1	51.5	70
10	133	180
20	7.3	10
23	8.8	12
28	8.8	12
33	37	50
35	29.4	40
40	51.5	70
46	51.5	70
48	73.7	100
52	29.4	40

* Decrease torque by 20% if threads are lubricated

