

## Car Wash Series - Triplex Plunger Pump

### FEATURES

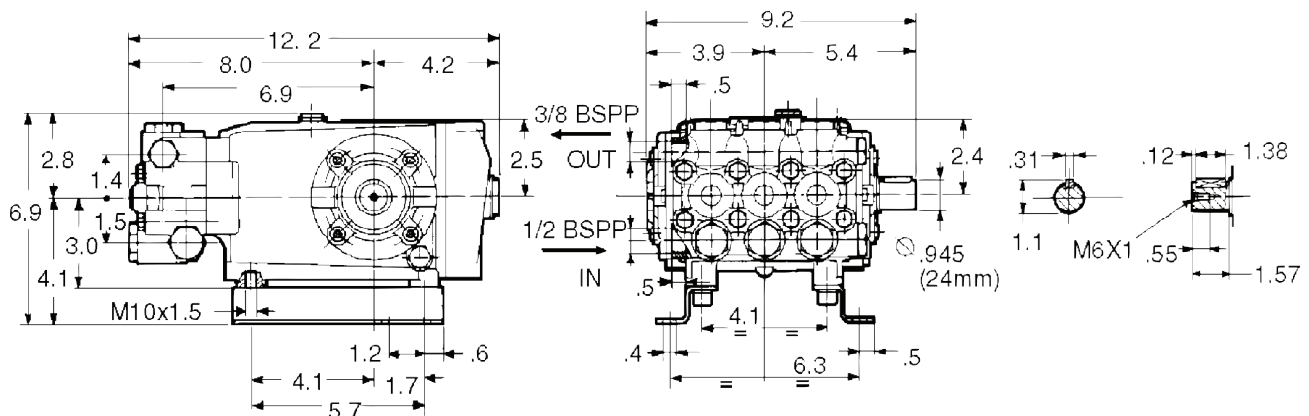
- The preferred pump frame in the pressure cleaning industry
- Forged brass manifold with an exclusive lifetime warranty
- Large-capacity, die-cast, anodized aluminum oil-bath crankcase
- Over-sized connecting rods for maximum life
- Heavy-duty tapered roller bearing
- Solid ceramic plungers with continuously lubricated packings
- Unitized stainless steel inlet and discharge valves
- Available in left-handed "L" version



### SPECIFICATIONS

<b>Pump Model</b>	<b>CW3040</b>
Maximum Volume	5.0 GPM
Maximum Discharge Pressure	3000 PSI
Maximum Pump Speed	1250 RPM
Maximum Inlet Pressure	125 PSI
Maximum Inlet Vacuum	9 ft. water (7.9 in. Hg)
Plunger Bore	.787 in. / 20 mm
Plunger Stroke	.630 in. / 16 mm
Crankcase Oil Capacity	40.6 oz.
Maximum Fluid Temperature	165° F
Inlet Port Thread	1/2-14 BSP-F
Discharge Port Thread	3/8-19 BSP-F
Shaft Diameter	.945 in. / 24 mm
Weight	32 lbs.
Dimensions	12.2" x 9.2" x 7.2"

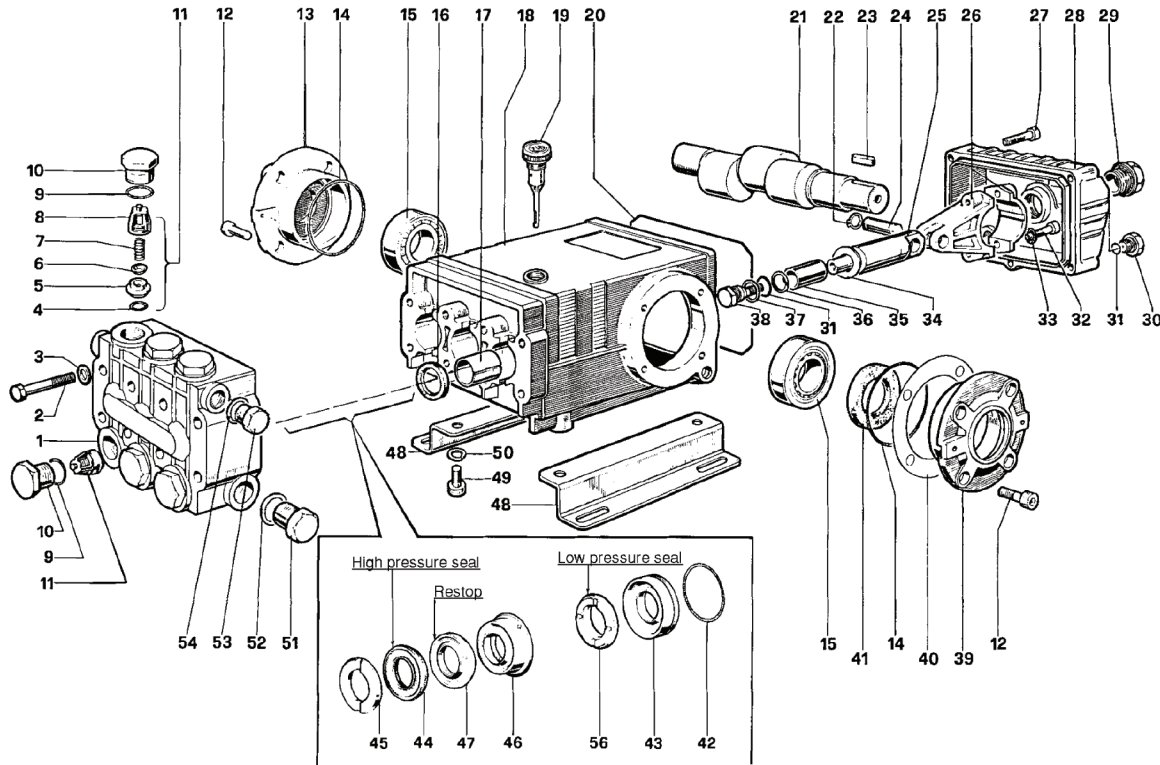
### DIMENSIONAL DRAWING



General Pump  
is a member of  
the Interpump Group

Ref 300323 Rev. L  
07-14





**PARTS LIST**

ITEM	PART NO.	DESCRIPTION	KIT NO.	QTY.	ITEM	PART NO.	DESCRIPTION	KIT NO.	QTY.	ITEM	PART NO.	DESCRIPTION	KIT NO.	QTY.
1.	*47121741	Manifold Fine Thread (after 8/2012)	1	1	19.	98210600	Oil Dip Stick	1	1	39.	47150022	Cover, Crankcase	3	3
	47120841	Manifold, Coarse Thread	1	1	20.	47211984	Cover, Gasket	1	1	40.	97567800	Shim	2	2
2.	99320600	Screw, M8 x 70	8	8	21.	47021735	Crankshaft	1	1	41.	90164800	Seal, Oil	3	1
3.	96702000	Washer, M8.4	8	8	22.	90055700	Ring, Snap	6	6	42.	90361600	O-ring, 1.364x.070	10,28	3
4.	701115	O-ring, .674 x .10	1	8	23.	91489000	Key	1	1	43.	47080970	Retainer, Packing	10,28	3
5.	36200366	Seat, Valve	1	6	24.	97738000	Pin, Wrist	3	3	44.	90270500	Packing	28,69	3
6.	36200176	Plate, Valve	1	6	25.	47050454	Guide, Plunger	3	3	45.	47100051	Ring, Head, M20	7,28	3
7.	94737600	Spring	1	6	26.	47030001	Connecting Rod	3	3	46.	47216970	Intermed. Ring	28,71	3
8.	36200251	Guide, Valve	1	6	27.	99183700	Screw, M6x30	5	5	47.	90270400	Restop Ring	28,69,71	3
9.	701002	O-ring, .797x.103	4,5	6	28.	47160422	Cover, Crankcase	1	1	48.	47200074	Pump Feet	2	2
10.	*98222800	Cap, Fine Thread (after 8/2012)	4	6	29.	97596800	Oil Indicator	1	1	49.	99364400	Screw, M10 x 18	4	4
	98222000	Cap, Coarse Thread	6	6	30.	98204100	Cap	1	1	50.	96710600	Washer, M10.2	4	4
11.	36703201	Valve Assembly	1	6	31.	701013	O-ring, .426x.070	6	4	51.	98217600	Cap	1	1
12.	99303900	Screw, M8 x 16	8	8	32.	99309900	Screw, M8 x 35	6	6	52.	96751400	Washer, M21.5	1	1
13.	47150122	Cover, Crankcase Side	1	1	33.	96701400	Washer, M8.4	6	6	53.	98210000	Cap	1	1
14.	701147	O-ring, 2.675x.103	2	2	34.	96728600	Washer, M14	6	3	54.	96738000	Washer, M17.5	1	1
15.	640047	Bearing, Roller	2	2	35.	47040409	Plunger, 20 mm	3	3	56.	90271000	Seal, Low Press, 20 mm	28,69	3
16.	90162500	Seal, Oil	2	3	36.	660067	Ring, Back-up	6	3					
17.	90912600	Bushing	3	3	37.	96728000	Washer	6	3					
18.	47010422	Crankcase	1	1	38.	47219566	Screw, Plunger	6	3					
										Optional				
										190160	Rail & Coupler Kit (310)	1	1	
										190161	Rail & Coupler Kit (530)	1	1	

**REPAIR KITS**

**TORQUE SPECS\***

KIT NO.	K01	K02	K03	K04	K06	K07	K71	K969	K9101A	K910A	Pos.	Ft/lb	N-M
ITEM NO's INCLUDED IN KIT	11	16	41	9, 10	31,34,36 37,38	45	46, 47	44, 47, 56	42, 43, 44, 45, 46, 47, 56	42, 43, 56	2	22.1	30
NUMBER OF ASSEMBLIES IN KIT	6	3	2	6	3	6	3	3	1	3	10	95.9	130
NUMBER OF CYLINDERS KIT WILL SERVICE	3	3	-	3	3	3	3	3	1	3	12	14.7	20
											27	7.3	10
											29	8.8	12
											30	14.7	20
											32	14.7	20
											38	14.7	20
											49	29.4	40
											51	29.4	40

\* Decrease torque by 20% if threads are lubricated

Ref 300323 Rev. L  
07-14

