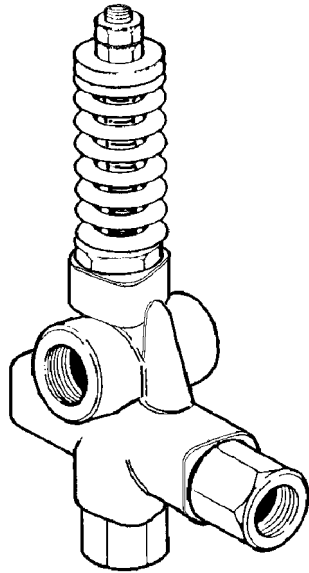


## Stainless Steel Trapped Pressure Unloader Valve



### SPECIFICATIONS

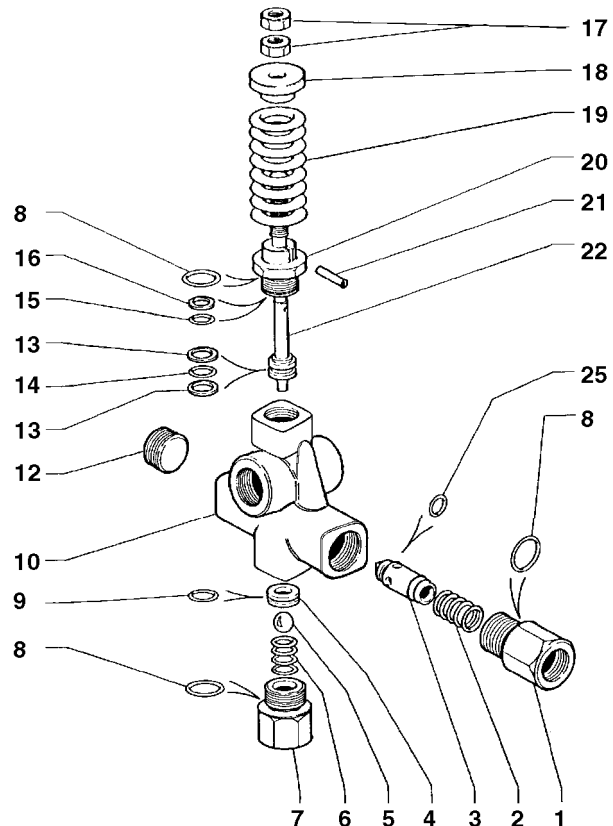
Part Number	YU2158
Maximum Volume	21 GPM
Maximum Discharge Pressure	5800 PSI
Maximum Temperature	200°F
Port Sizes: Inlet	1/2" NPT-F
Dimensions	8.3" x 3.8" x 1.5"
Weight	4.2 lbs.
Material	Stainless Steel, Brass, Buna-N

*General Pump recommends using a safety relief device in conjunction with this unloader valve when installed on a positive displacement pump. General Pump is not liable and assumes no responsibility for this valve when used in a customer's high pressure system.*

### PARTS LIST

YU2158 - Y60.0430.50 UNLOADER VALVE

No.	Part No.	Description	Kit	Qty.
*	YKITU2158	Repair Kit		1
1.	Y60.0437.51	Outlet Fitting		1
2.	Y60.0409.51	SS Spring		1
3.	Y60.0403.51	SS Check Valve		1
4.	Y60.0408.51	Seat	*	1
5.	Y14.7461.00	SS Ball	*	1
6.	Y60.0410.51	SS Spring		1
7.	Y60.0438.51	Inlet Fitting		1
8.	Y10.3072.01	O-Ring	*	3
9.	Y10.3060.01	O-Ring	*	1
10.	Y60.0436.51	Valve Housing		1
12.	Y60.0444.51	Plug		1
13.	Y10.4014.00	Back-up Ring	*	2
14.	Y10.3178.01	O-Ring	*	1
15.	Y10.3174.01	O-Ring	*	1
16.	Y10.4015.00	Back-up Ring	*	1
17.	Y11.4629.00	Nut		2
18.	Y60.0406.31	Spring Guide		1
19.	Y60.0434.61	Spring, Black		1
20.	Y60.0433.51	Piston Housing		1
21.	Y15.1032.00	Pin		1
22.	Y60.0432.51	Piston		1
25.	Y10.3292.00	O-Ring	*	1



## Stainless Steel Trapped Pressure Unloader Valve

### APPLICATION

This product is to be used with clean, fresh water. For different or corrosive liquids, contact GP Companies Inc. technical support department. With not-clean liquids, appropriate filtration should be installed.

Select the valve based on the nominal operating rating: system rated pressure, max flow and max temperature.

Under no circumstances should the pressure of the system exceed the **maximum** rated pressure of any component.

When installed on hot water cleaners, this valve is to be installed before the boiler.

### INSTALLATION

On a system that produces hot water, consider installing safety devices which limit the accidental increase of the fluid temperature.

**Always** install a safety valve to protect the operator and system.

Choose a correct nozzle size, able to discharge regularly, on bypass, at least 5% of the total flow of the system, in order to achieve a constant pressure, and avoid troublesome pressure spikes.

When the nozzle wears, the pressure drops. After installing a new nozzle, re-adjust the system to the original pressure setting.

### PROBLEMS & SOLUTIONS

PROBLEMS	PROBABLE CAUSES	SOLUTIONS
Unloader cycles	Damaged check valve o-ring Fitting leaking Restricted bypass	Replace Check and renew Clean or adapt
Unloader does not come up to pressure	Unloader not properly sized Foreign material between seat and shutter Piston o-ring worn out Nozzle worn out	Select a proper spring or a new unloader Clean the seat Replace Replace
Pressure spikes	Spring totally compressed Excessive flow in bypass There is not a min. 5% of total flow in bypass	Loosen and change nozzle size Select another unloader Adjust size of piping
Unloader does not bypass at low pressure	Check valve jammed Check valve o-ring worn out Foreign materials on check valve	Clean or replace Replace Clean

### DIMENSIONAL DRAWING

