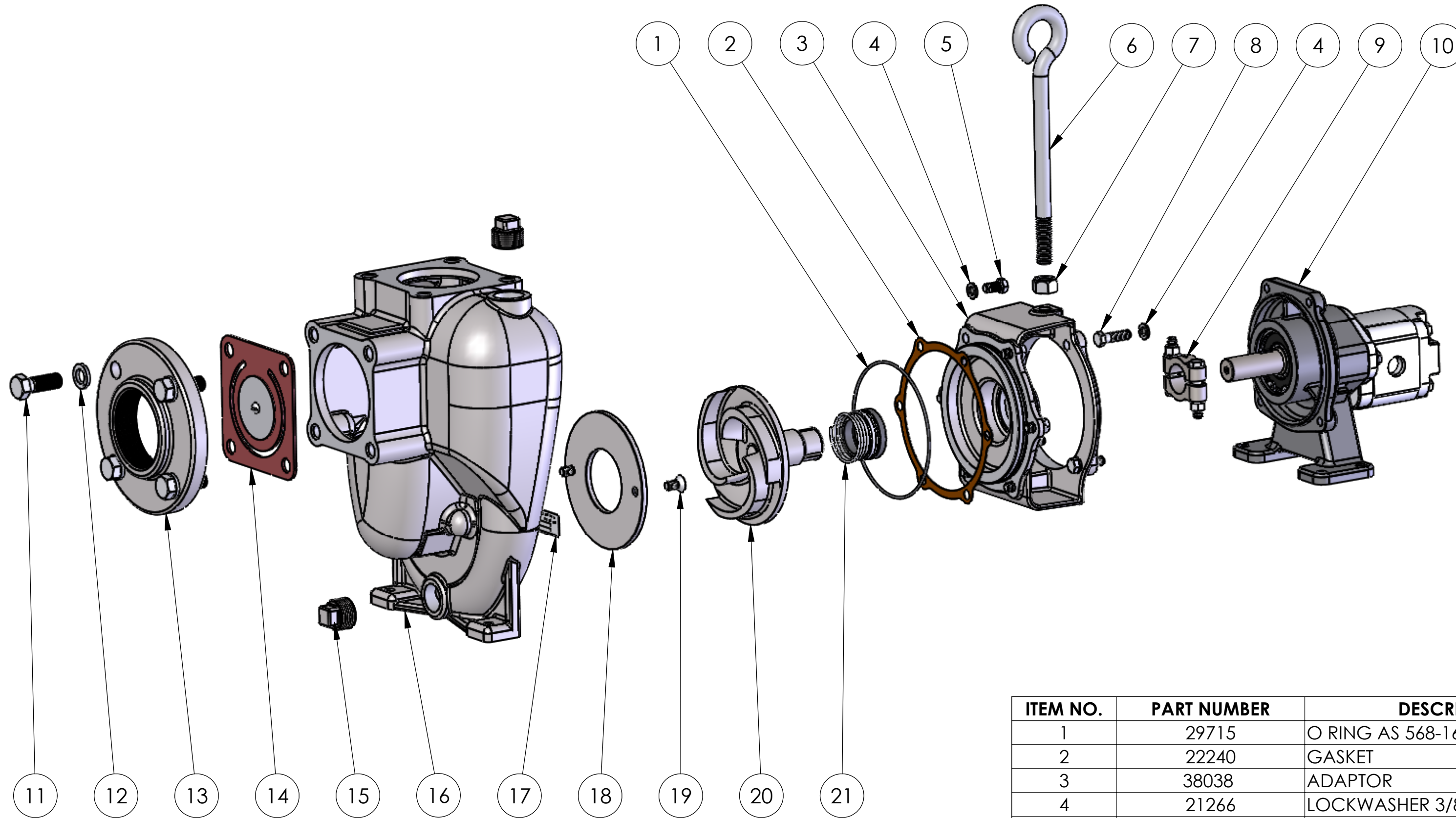


NOTE: THIS DRAWING OR PRINT, PROPERTY OF MP PUMPS INC., CONTAINS PROPRIETARY AND CONFIDENTIAL INFORMATION. IT SHALL BE USED ONLY AS APPROVED BY MP PUMPS AND SHALL NOT BE GIVEN TO OTHERS OR COPIED WITHOUT THE WRITTEN CONSENT OF MP PUMPS. RETURN TO MP PUMPS PROMPTLY WHEN REQUESTED.

G					UNLESS OTHERWISE NOTED THIRD ANGLE PROJECTION 2 PLACE DIM ± .020 3 PLACE DIM ± .010 ANGULAR DIM ± 1°	MP PUMPS, INC. FRASER, MICHIGAN 48026, U.S.A.					
F				MATERIAL SPECIFICATIONS							
E						DRAWN BY	DATE COMP.	APPROV.	SCALE	MADE FOR	MADE FROM
D						S.F.	10/24/17	D.D.			
C						DO NOT SCALE					
B					NAME FM15PMP SS:PED/HYD 5.75					DRAWING NO	
A										50215	
REV	DESCRIPTION	DRAWN	DATE	EN							



ITEM NO.	PART NUMBER	DESCRIPTION	MATERIAL	QTY.
1	29715	O RING AS 568-162	VITON	1
2	22240	GASKET	LEXIDE NI-2085	1
3	38038	ADAPTOR	316 SS	1
4	21266	LOCKWASHER 3/8 X 1/8	304 SS	12
5	25663	CAPSCREW 3/8-16 X 3/4	304 SS	6
6	22460	LIFT EYE	STEEL	1
7	22461	HEX NUT	STEEL	1
8	21259	CAPSCREW 3/8-16	304 SS	4
9	23039	CLAMP ASSEMBLY	303 SS	1
10	28551	PEDESTAL ASSY.	CAST IRON	1
11	36606	CAPSCREW 5/8-11X1.75	304 SS	4
12	26853	LOCKWASHER 5/8	304 SS	4
13	38027	FLANGE	316 SS	1
14	38077	FLAPPER ASSEMBLY	SS/VITON	1
15	34780	PIPE PLUG	316 SS	2
16	38011	HOUSING	316 SS	1
17	28630	NAME PLATE	304 SS	1
18	27979	WEAR PLATE	316 SS	1
19	37115	SCREW FHS 3/8-16X3/4	304 SS	2
20	36895	IMPELLER	316 SS	1
21	22361	SEAL ASSEMBLY	CCS/VITON	1

NOTE: THIS DRAWING OR PRINT, PROPERTY OF MP PUMPS INC., CONTAINS PROPRIETARY AND CONFIDENTIAL INFORMATION. IT SHALL BE USED ONLY AS APPROVED BY MP PUMPS AND SHALL NOT BE GIVEN TO OTHERS OR COPIED WITHOUT THE WRITTEN CONSENT OF MP PUMPS. RETURN TO MP PUMPS PROMPTLY WHEN REQUESTED.

G					UNLESS OTHERWISE NOTED THIRD ANGLE PROJECTION	MP PUMPS, INC. FRASER, MICHIGAN 48026, U.S.A.					
F											
E					2 PLACE DIM ± .020 3 PLACE DIM ± .010 ANGULAR DIM ± 1°	MATERIAL	MATERIAL SPECS				
D					DO NOT SCALE	DRAWN BY	DATE COMP.	APPROV.	SCALE	MADE FOR	MADE FROM
C						S.F.	10/24/17	D.D.			
B					NAME	DRAWING NO					
A					FM15PMP SS:PED/HYD 5.75	50215					
REV	DESCRIPTION	DRAWN	DATE	EN							