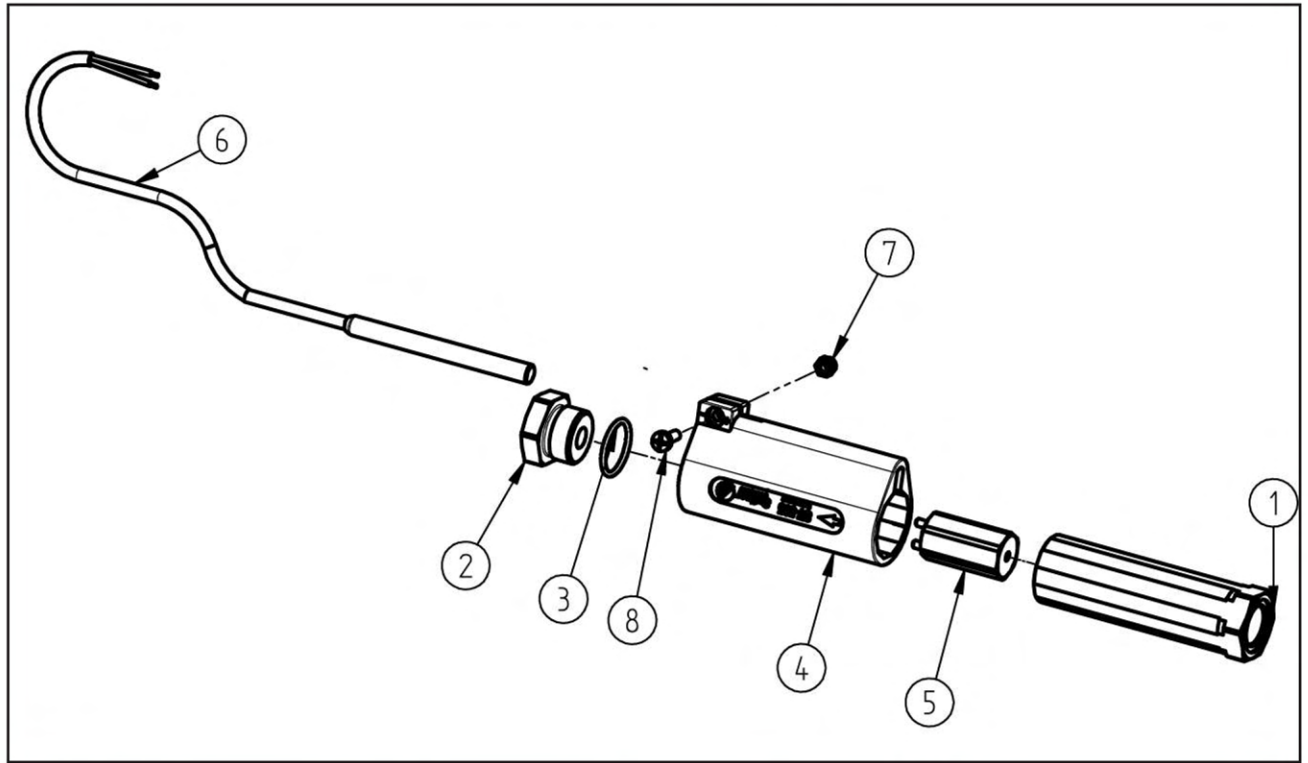


**Spare Parts**  
**ST - 505 Flow Switch**  
 Item-No. 200505500



Pos.	Item-No.	Description
NA 1	04 0003 120	Housing stainless steel
NA 2	04 0003 130	Sealing screw stainless steel
3	05 0000 115	O-ring
NA 4	02 0001 215	Plastic housing ST-505 dark blue
5	20 0005 300	Float with magnet
6	20 0005 431	Complete reed switch
7	04 0000 730	Nut M4
8	04 0000 720	Screw M4