

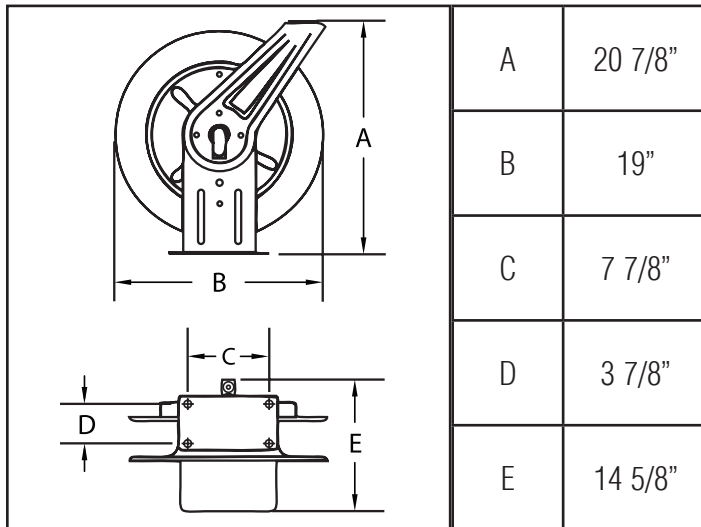
# Operating Instructions

## Series L 7000 Spring Driven Cord Reels

Model Numbers:

L 7000      L 7050 104 X

### Dimensions



Four 1/2" diameter mounting holes



### IMPORTANT

Read this manual carefully before installing, operating or servicing this equipment.

### SAFETY

Personal injury and/or equipment damage may result if proper safety precautions are not observed.

- Ensure that only a qualified electrician installs/services this equipment.
- Ensure that power supply voltage does not exceed maximum voltage rating of reel.
- Ensure that reel is properly installed before connecting to power supply.
- Ensure that all electrical power is removed from reel before servicing.
- A high-tension spring assembly is contained within the reel. Exercise extreme caution.
- Check for frayed/broken wires before each use.
- Pull electrical cord from reel by grasping the electrical cord itself, not the work device.
- If an electrical malfunction should occur, remove power from reel immediately.
- Ensure that reel, electrical cable, and equipment being serviced are properly grounded. Use an ohmmeter to check ground continuity.
- If reel ceases to unwind or rewind, remove power immediately. Do not pull or jerk on electrical cable!
- Treat and respect the reel as any other piece of machinery, observing all common safety practices.

**Warning:** Even low voltage can cause irreparable damage or death! Exercise extreme caution while operating or servicing this equipment.

Form# 556-1190 Rev: 4/2017

## INSTALLATION INSTRUCTIONS

### MOUNTING - See Figure 1

**Caution:** Unless the reel was specified differently when ordering, maximum installation height is 16 feet. Do not exceed this distance. Ensure that only a qualified electrician installs/services this equipment. Observe applicable NEC, OSHA, and local codes when installing this equipment.

1. Unpack and inspect reel for damage. Turn by hand to check for smooth operation. Check for completeness.
2. Configure reel for top, side, or bottom-wind (bottom-wind for constant tension reels only) electrical cable dispensing by removing nuts (1) securing guide arm bracket (2). Position guide arm bracket to desired location and replace nuts.
3. Position reel on floor, wall, or ceiling. Secure into place using four (customer supplied) screws or bolts (3).

### INSTALLING THE OUTPUT ELECTRICAL CABLE - See Figure 2

**Warning:** Select output cable in accordance with power requirement of apparatus to be supplied. Ensure that application does not exceed electrical rating of reel (see page 3 in this manual). Use extreme caution; reel under tension. Avoid releasing latch mechanism.

1. Manually turn sheave (4) until spring is tight. Back off three turns, then latch.
2. Remove access cover (5).
3. Remove 8" of output electrical cable outer jacket.
4. Loosen strain relief (6).

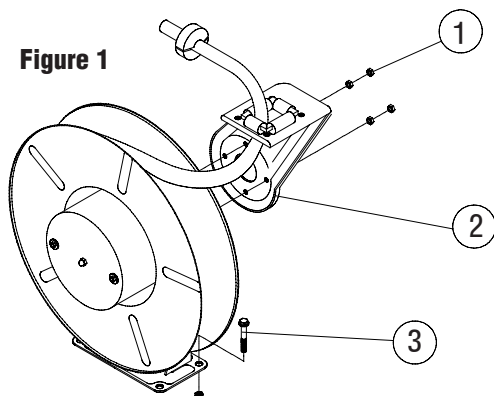


Figure 1

5. Route output electrical cable through U-clamps (7), cutout in spool (8), then through strain relief (6).
6. Tighten U-clamps (7) and strain relief (6).
7. Using wire nuts (9), connect output electrical cable wires to collector assembly brush wires as indicated in illustration. Connect ground wire of output electrical cable to ground lug (10) located on inner side of spool.
8. Using ohmmeter, check for ground faults.
9. Install access cover (5).
10. Release latch and wind output electrical cable onto reel.
11. Install bumper stop (11).

## ADJUSTMENTS

### SPRING TENSION

If necessary, adjust spring tension on reel by adding or removing wraps of electrical cable from spool, one wrap at a time, until desired tension is obtained. Add wraps to increase tension. Remove wraps to decrease tension.

**Caution:** When adding wraps of electrical cable, be careful not to exceed the winding mechanism's spring capacity. Add just enough wraps of cable to achieve the desired tension. Damage to the winding mechanism will result if spring is over-tensioned. A high-tension spring assembly is contained within the reel. Exercise extreme caution.

### TROUBLESHOOTING - See Figure 2

Troubleshooting of the reel consists of isolating a problem to a defective electrical cable or collector assembly. Refer any other discrepancies only to an authorized service person or directly to Reelcraft.

**Warning:** The following procedure directs the technician to take voltage measurements. Remember, even low voltage is dangerous and can cause personal injury or death. Exercise extreme caution!

1. Remove power from reel.
2. Remove access cover (5).
3. Remove wire nuts (9) securing output electrical cable wires to collector assembly brush wires. Ensure that bare wires do not contact each other or the reel superstructure.
4. Apply power to reel.
5. Using voltmeter, check voltage between black wire (hot) and white wire (neutral) then between red wire (hot) and white wire (neutral). If voltage readings are correct (120 vac), replace output power cable (refer to SERVICE INSTRUCTIONS). If either voltage reading is incorrect, replace collector assembly (refer to SERVICE INSTRUCTIONS).

## SERVICE INSTRUCTIONS

**Warning:** Remove power from reel before performing the following procedures.

**Note:** Refer all repairs for the collector ring assembly to the factory.

### REPLACING THE OUTPUT ELECTRICAL CABLE - See Figure 2

**Warning:** Use extreme caution; reel under tension. Avoid releasing latch mechanism.

1. Pull output electrical cable from reel until cable is fully extended, then latch.
2. Remove wire nuts (9) securing output electrical cable wires to collector assembly brush wires.
3. Remove output electrical cable ground wire (12) from ground lug (10).
4. Loosen strain relief (6).
5. Loosen U-clamps (7).
6. Remove output electrical cable.
7. Remove bumper stop (11).
8. Install replacement output electrical cable (refer to INSTALLATION INSTRUCTIONS).

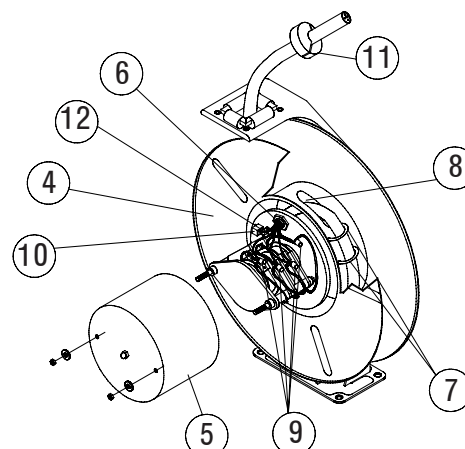


Figure 2

# Series L 7000 Spring Driven Cord Reels

Item #	# Req.	Description	L 7000	L 7050 104 X
1	1	Sheave Assembly	600311	S600951
2	1	Spring Arbor	S600621	S600621
3	1	Spring Gasket	S260069	S260069
4	1	Spring Case Assembly	S260074	S260074
5	6	10-32 Whizloc	S300011	S300011
6	1	Hex Jam Nut 3/8-24	S76-106	S76-106
7	1	Latch Pawl Assembly	S600018	S600018
8	1	Base Assembly	S600016	S600016
9	1	1/2-13 Set Screw	S35-84	S35-84
10	1	Guide Arm Assembly	S600017	S600017
11	4	Flange Nut 5/16-18	300107	300107 (x5)
12	2	Hex Lock Nut 1/4-20	261650-1	261650-1
13	1	U-bolt	5-117440	3-117440
14	1	Drive Spring Assembly	S260053	S260053
15	1	Spring Case Stud	S260031	S260031
16	1	10-32 Machine Screw	S20-110	S20-110
17	1	Latch Bushing	S400012	S400012
18	1	Latch Spring	S260067	S260067
19	1	Hex Flange Nut 1/2-20	S280-8	S280-8
20	1	Lock Nut 10-32 x 3/8	S82-15	S82-15
	1	Bumper Stop Assembly	3-HR1004-3	1-HR1004-A
	1	Outlet Cord	None	262325-50
	1	Inlet Cord	None	262326
		Voltage A/C	220	600
		AMPS	45	20
		Frequency	60HZ Single Phase	60HZ Single Phase

Figure 3

