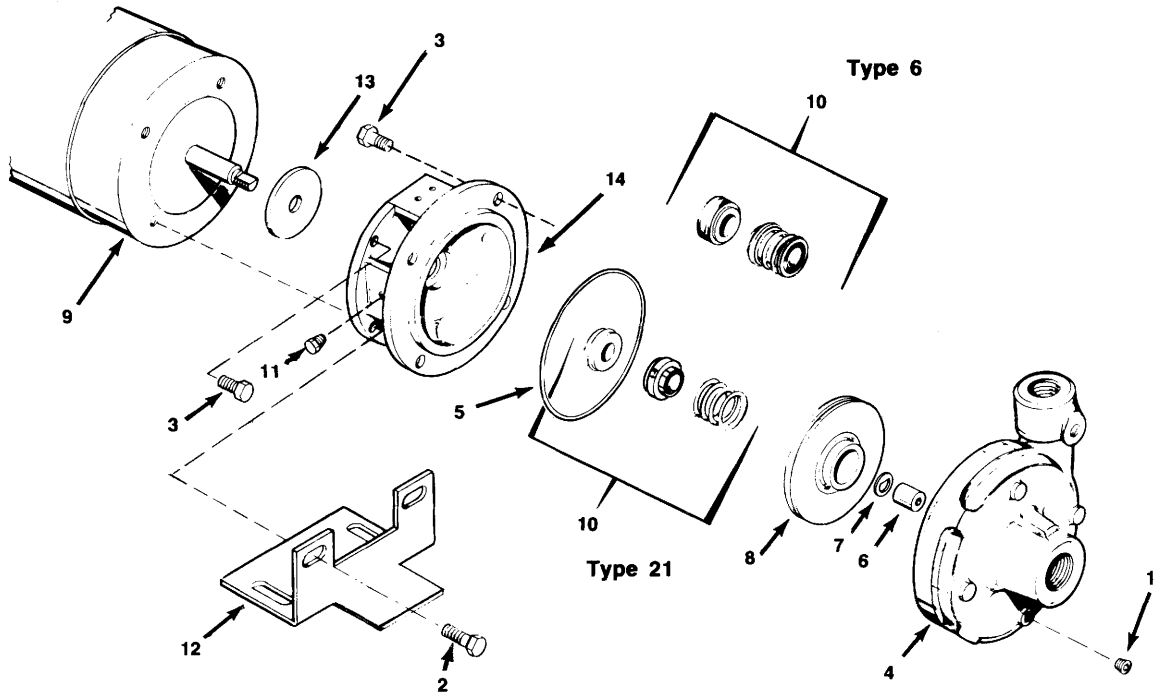


AE 211, 213, 260, 220, 251, 261



COMMON PARTS FOR MODELS AE 211, 213, 260, 220 PUMPS

KEY NO.	PART NUMBER	QTY.	PART NAME	KEY NO.	PART NUMBER	QTY.	PART NAME
1A	106.000.284	2	Drain Plug Steel	10B	101.000.173	1	Seal EPDM - Niresist
1B	107.000.215	2	Drain Plug Brass	10C	101.000.120	1	Seal Viton - Niresist
4	See Chart	1	Case	10D	101.000.103	1	Seal Viton - Ceramic
5	116.000.146	1	O-Ring Buna	11	106.000.101	1	Vent Plug
6	110.000.190	1	Impeller Locknut	12	119.000.231	1	Mounting Base
7	104.000.168	1	D-Washer	13	104.000.171	1	Flinger
8	See Chart	1	Impeller	14A	132.000.200	1	Adapter, Iron
9	See Chart	1	Motor (56 J Frame)	14B	132.000.203	1	Adapter, Bronze
10A	101.000.110	1	Seal Buna - Ceramic				

COMMON PARTS FOR MODELS AE 251, 261 PUMPS

KEY NO.	PART NUMBER	QTY.	PART NAME	KEY NO.	PART NUMBER	QTY.	PART NAME
1A	106.000.284	2	Drain Plug Steel	10A	101.000.110	1	Seal Buna - Ceramic
1B	107.000.215	2	Drain Plug Brass	10B	101.000.173	1	Seal EPDM - Niresist
4	See Chart	1	Case	10C	101.000.120	1	Seal Viton - Niresist
5	116.000.141	1	O-Ring Buna	10D	101.000.103	1	Seal Viton - Ceramic
6	110.000.190	1	Impeller Locknut	11	106.000.101	1	Vent Plug
7	104.000.168	1	D-Washer	12	119.000.231	1	Mounting Base
8	See Chart	1	Impeller	13	104.000.171	1	Flinger
9	See Chart	1	Motor	14	132.000.207	1	Adapter, Iron

Selection Charts for AE Pumps

CASES

MODEL	SIZE	IRON	BRONZE
AE 211, 213	1¼ x 1	130.000.161	130.000.180
AE 260	1½ x 1¼	130.000.170	130.000.200
AE 220	1½ x 1½	130.000.158	130.000.174
AE 251	1½ x 1½	130.000.177	N/A
AE 261	2 x 2	130.000.211	N/A

MOTORS — 60 HERTZ — 56 J FRAME

H.P.	1 PHASE		3 PHASE	
	ODP	TEFC	ODP	TEFC
1/3	113.000.101	N/A	113.000.365	N/A
1/2	113.000.102	113.000.405	113.000.366	113.000.384
3/4	113.000.103	113.000.406	113.000.354	113.000.357
1	113.000.104	113.000.355	113.000.372	113.000.378
1-1/2	113.000.143	113.000.402	113.000.360	113.000.379
2	113.000.348	113.000.373	113.000.349	113.000.367
3	113.000.581	N/A	113.000.368	113.000.468

IMPELLERS

AE 211

IMPELLER DIAMETER	CIBF	BRONZE
5"	131.000.495	131.000.120
4⅞"	131.000.496✓	131.000.119
4½"	131.000.497	131.000.118
4"	131.000.498	131.000.117
3¾"	131.000.499	131.000.354
3½"	131.000.375	131.000.597

AE 220

IMPELLER DIAMETER	CIBF
5½"	131.000.638A
5¼"	131.000.638I
5⅞"	131.000.638B
5"	131.000.638F
4⅞"	131.000.638H
4¾"	131.000.638C
4⅝"	131.000.638E
4½"	131.000.638D
4¼"	131.000.638G
3½"	131.000.638J

AE 213

IMPELLER DIAMETER	IRON	BRONZE
4⅞"	131.000.203	131.000.108
4¾"	131.000.107	131.000.605
4½"	131.000.107B	131.000.512
4¼"	131.000.182	131.000.185
4"	131.000.183	131.000.186
3¾"	131.000.184	131.000.187
3½"	131.000.103	131.000.104
3⅝"	—	131.000.385
3⅞"	131.000.226	131.000.418

AE 251, 261

IMPELLER DIAMETER	IRON	BRONZE
4⅞"	131.000.315	131.000.316
4"	131.000.315B	131.000.357
3⅞"	131.000.344	131.000.319
3¾"	131.000.363	131.000.316C
3⅝"	131.000.356	131.000.329
3½"	131.000.412	131.000.320
3¼"	131.000.345	131.000.321
3-3/16"	—	131.000.583
3"	131.000.381	131.000.322
2¾"	—	131.000.582
2⅝"	—	131.000.316B
2½"	131.000.315D	131.000.581

AE 260

IMPELLER DIAMETER	CIBF	BRONZE
5½"	131.000.481	131.000.341
5¼"	131.000.480	131.000.299
5⅞"	131.000.596	131.000.341A
5"	131.000.489	131.000.198
4⅞"	131.000.595	131.000.341B
4¾"	131.000.490	131.000.199
4⅝"	131.000.602	—
4½"	131.000.491	131.000.200
4¼"	131.000.492	131.000.201