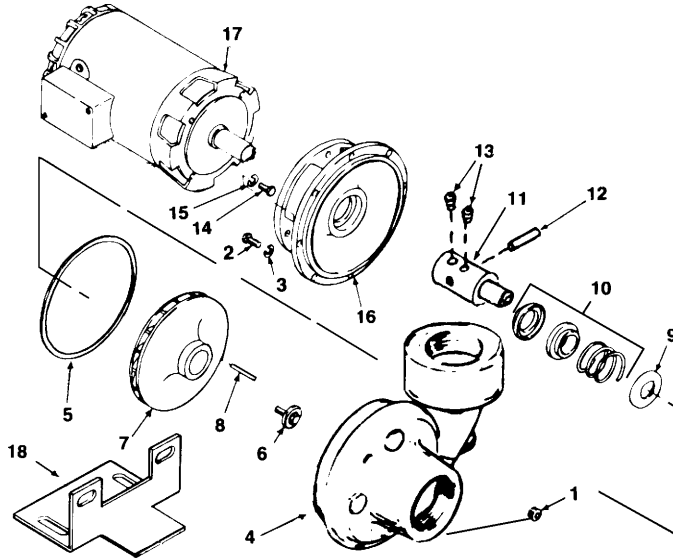


CE 15, 20, 21, 28, 29

SCOT



COMMON PARTS FOR CE PUMPS

KEY NO.	PART NUMBER	QTY	PART NAME	KEY NO.	PART NUMBER	QTY	PART NAME
1A	106.000.284	2	Drain Plug Steel	10C	101.000.175	1	Seal Viton - Niresist
1B	107.000.215	2	Drain Plug Brass	11A	135.000.165	1	Stub Shaft, Bronze
4	See Chart	1	Case	11B	135.000.174	1	Stub Shaft, Str. Stl.
5	116.000.146	1	O-Ring, Casing	12	105.000.354	1	Groove Pin
6	118.000.111	1	Imp. Ret. Ass'y	13	105.000.313	2	Set Screws
7	See Chart Pg. 7	1	Impeller	16A	132.000.194	1	Adapter, Iron 4½ AK
8	102.000.102	1	Key, Impeller	16B	132.000.219	1	Adapter, Bronze 4½ AK
9	104.000.175	1	Retainer, Seal	17	See Chart	1	Motor (56 C Frame)
10A	101.000.168	1	Seal Buna - Ceramic	18	119.000.247	1	Mounting Base
10B	101.000.191	1	Seal Viton - Ceramic				

MOTORS — 60 HERTZ — 56C FRAME

H.P.	1 PHASE		3 PHASE	
	ODP	TEFC	ODP	TEFC
3/4	113.000.107	113.000.167	113.000.111	113.000.147
1	113.000.108	113.000.136	113.000.112	113.000.138
1-1/2	113.000.109	113.000.317	113.000.113	113.000.149
2	113.000.279	113.000.324	113.000.304	113.000.336
3	—	N/A	113.000.331	113.000.344

CASES

MODEL NO.	SIZE	IRON	BRONZE
CE 15	3 × 3	130.000.224	N/A
CE 20	2 × 1½	130.000.181	130.000.251
CE 21	2 × 2	130.000.168	130.000.194
CE 28	2½ × 2	130.000.169	130.000.195
CE 29	2 × 2	130.000.156	N/A

Impeller Selection Charts for CE, FE & KFE Pumps

SCOT

CE 15, FE 215, KFE 215

IMPELLER DIAMETER	IRON	CIBF	BRONZE
5 $\frac{5}{8}$ "	131.000.286	131.000.586	131.000.651
5 $\frac{1}{4}$ "	131.000.584	131.000.587	131.000.651A
5 $\frac{1}{8}$ "	131.000.289	131.000.588	131.000.651B
5"	131.000.578	131.000.586E	131.000.651C
4 $\frac{7}{8}$ "	131.000.336	131.000.586F	131.000.651D
4 $\frac{3}{4}$ "	131.000.510	131.000.589	131.000.651E
4 $\frac{1}{2}$ "	131.000.424	131.000.586C	131.000.651F
4"	131.000.574	131.000.586D	131.000.651G

CE 28, FE 218

IMPELLER DIAMETER	CIBF	BRONZE	IRON
5 $\frac{5}{8}$ "	131.000.505	131.000.177	131.000.239
5 $\frac{1}{4}$ "	131.000.506	131.000.178	131.000.240
4 $\frac{5}{8}$ "	131.000.507	131.000.179	131.000.241
4 $\frac{3}{8}$ "	131.000.560	131.000.411	131.000.239A
4 $\frac{1}{4}$ "	131.000.508	131.000.208	—

CE 16, FE 216, KFE 216

IMPELLER DIAMETER	CIBF	BRONZE	IRON
5 $\frac{1}{2}$ "	131.000.439	131.000.133	131.000.135
5 $\frac{3}{8}$ "	131.000.617	—	—
5 $\frac{1}{8}$ "	131.000.440	131.000.132	131.000.136
5"	131.000.445	131.000.282	—
4 $\frac{7}{8}$ "	131.000.447	131.000.346	—
4 $\frac{3}{4}$ "	131.000.441	131.000.131	131.000.137
4 $\frac{5}{8}$ "	131.000.446	131.000.347	—
4 $\frac{1}{2}$ "	131.000.442	131.000.205	—
4 $\frac{1}{4}$ "	131.000.443	131.000.130	131.000.135B
3 $\frac{1}{2}$ "	131.000.439C	131.000.133A	—

CE 29, FE 219, KFE 219

IMPELLER DIAMETER	IRON	BRONZE
5 $\frac{5}{8}$ "	131.000.141	131.000.143
5"	—	131.000.367
4 $\frac{7}{8}$ "	131.000.142	131.000.144
4 $\frac{5}{8}$ "	131.000.374	—
4 $\frac{3}{8}$ "	131.000.350	131.000.342
4 $\frac{1}{4}$ "	131.000.151	131.000.154
3 $\frac{7}{8}$ "	131.000.155	131.000.152
3 $\frac{5}{8}$ "	131.000.156	131.000.153

CE 21, FE 217, KFE 217

IMPELLER DIAMETER	CIBF	BRONZE	IRON
5 $\frac{5}{8}$ "	131.000.500	131.000.163	131.000.470A
5 $\frac{1}{2}$ "	131.000.606	131.000.167	131.000.470
5 $\frac{1}{4}$ "	131.000.501	131.000.164	131.000.470B
5"	131.000.500B	131.000.361	131.000.470C
4 $\frac{3}{4}$ "	131.000.502	131.000.165	131.000.470D
4 $\frac{1}{4}$ "	131.000.503	131.000.206	131.000.470E
4"	131.000.504	131.000.207	131.000.470F