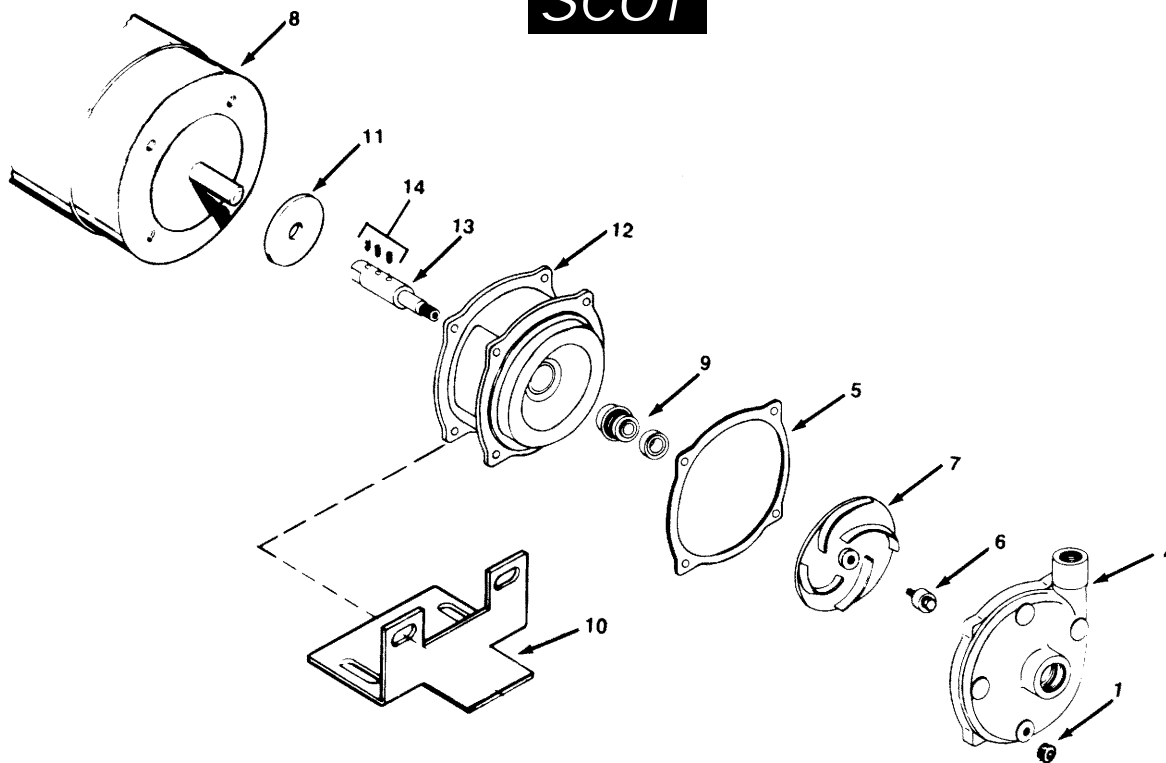


# CTP 175, 250, 500

## SCOT



**COMMON PUMP PARTS FOR CTP PUMPS**

KEY NO.	PART NUMBER	QTY.	PART NAME	KEY NO.	PART NUMBER	QTY.	PART NAME
1	107.000.215	1	Drain Plug	9	101.000.211	1	Seal Viton - Ceramic
4	See Chart	1	Case, Bronze	10	119.000.237	1	Mounting Base
5	116.000.195	1	Gasket, Case	11	104.000.171	1	Flinger
6	118.000.311	1	Impeller Ret. Assy.	12	132.000.247	1	Adapter, Bronze
7	See Chart	1	Impeller	13	135.000.198	1	Stub Shaft Brass
8	See Chart	1	Motor (56 C Frame)	14	105.000.313	3	Set Screws

MODEL NO.	IMPELLER	MOTOR	CASE	SUCTION FLANGE
<b>CTP 175</b>	131.000.542	113.000.585	130.000.259	none
<b>CTP 250</b>	131.000.542	113.000.585	130.000.229*	136.000.163*
<b>CTP 500</b>	131.000.540B	113.000.584	130.000.229*	136.000.163*

\* Not Shown in exploded view  
Suction Flange Gasket Part no. 116.000.196