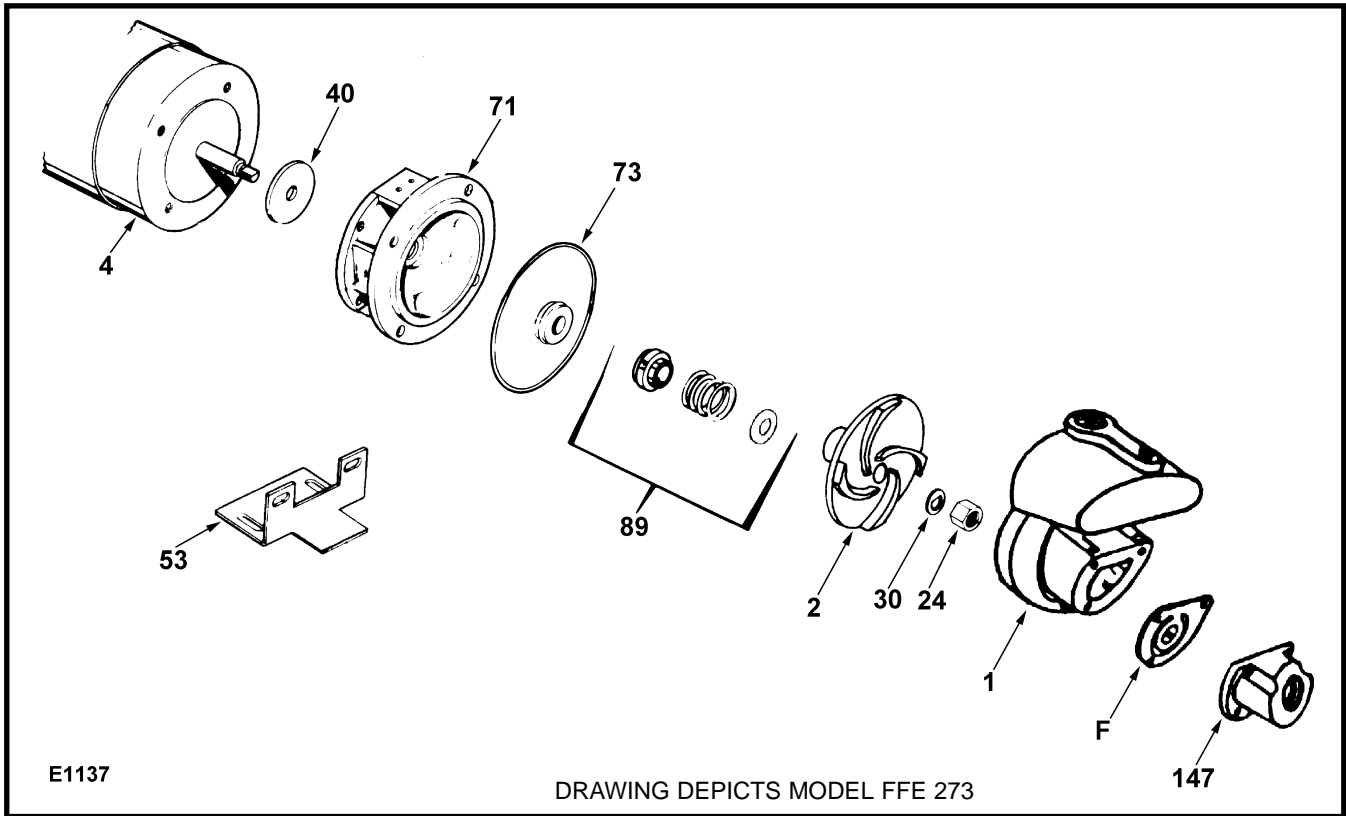


# MOTORPUMP™ - FFE 273P, 273, 74 SELF PRIMING



E1137

DRAWING DEPICTS MODEL FFE 273

KEY NO.	PART NAME	FFE 273P 1.5 X 1.5 NPT	FFE 273 1.5 X 1.5 NPT	FFE 74 2 X 2 NPT
1	CASE	130.000.142X	130.000.142X	130.000.239X
2	IMPELLER, SEMI-OPEN	131.000.448	131.000.315	131.000.315
4	MOTOR, J56	See Chart	See Chart	See Chart
24 ●+	IMPELLER NUT	NONE	105.000.465	105.000.465
30 ●+	D WASHER	NONE	104.000.168	104.000.168
40 ●	FLINGER	104.000.171	104.000.171	104.000.171
53	BASE	119.000.231A	119.000.231A	119.000.231A
71	ADAPTER	132.000.207	132.000.207	132.000.207
73 ●	GASKET, CASE	116.000.141	116.000.141	116.000.141
89 ●	SEAL VN-CM	101.000.103	101.000.103	101.000.103
147	FLANGE	136.000.138	136.000.138	NONE
F	FLAPPER	118.000.261	118.000.261	NONE
--	REPAIR KIT			
	1 PHASE	118.000.341A.1	118.000.341A.1	118.000.341A.1
	3 PHASE	118.000.341A	118.000.341A	118.000.341A

● DENOTES COMPONENTS INCLUDED IN REPAIR KIT  
+ NOT REQUIRED ON 3/4 - 1 1/2 HP, 1 PHASE MOTORS;  
USE 3 PHASE KIT FOR 2 - 3 HP, 1 PHASE MOTORS.