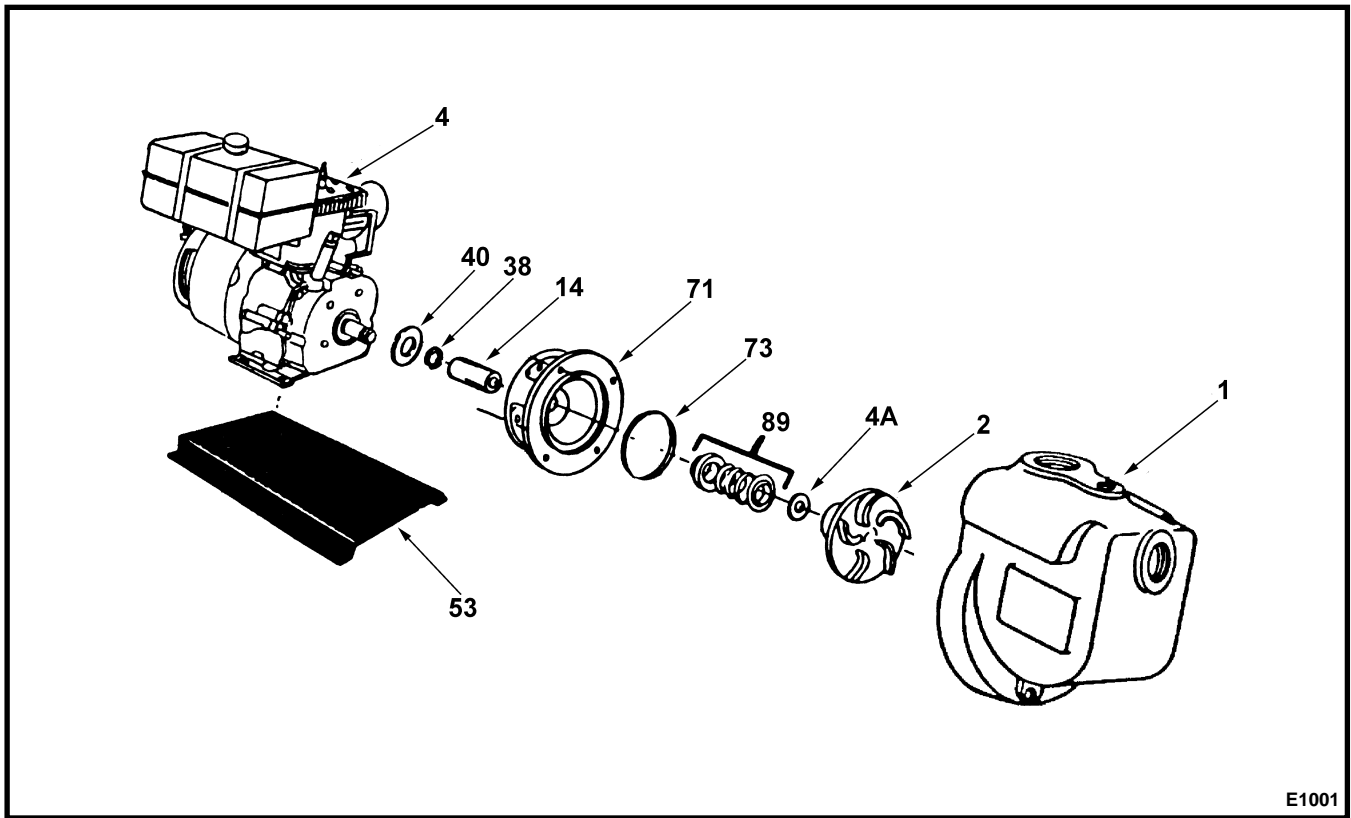


ENGINEPUMP™ - FKG 74A, 75A SELF PRIMING



E1001

KEY NO.	PART NAME	* FKG 74A 2 X 2 NPT 3.5, 5, 5.5, 6 HP	FKG 74A 2 X 2 NPT 8 HP	FKG 75A 3 X 3 NPT 8 HP	FKG 75A 3 X 3 NPT 9, 10, 11 HP
1	CASE	130.000.239X	130.000.239X	130.000.295X	130.000.295X
2	IMPELLER	131.000.238	131.000.293	131.000.302	131.000.302
4 +	ENGINE	5/8" THRD	1" THRD	1" THRD	1" THRD
4A ●	SHIM	104.000.142	104.000.163	104.000.163	104.000.163
14 ●	SHAFT SLEEVE	110.000.137	110.000.175	110.000.175	110.000.175
38 ●	O-RING, SLEEVE	NONE	116.000.117	116.000.117	116.000.117
40 ●	FLINGER	104.000.179	104.000.165	104.000.165	104.000.165
53	BASE	119.000.151	119.000.106	119.000.106	119.000.204
71	ADAPTER	132.000.155	132.000.192	132.000.188	132.000.188
73 ●	GASKET, CASE	116.000.141	116.000.141	116.000.146	116.000.146
89 ●	SEAL VN-CM	101.000.115	101.000.194	101.000.194	101.000.194
--	REPAIR KIT	118.000.217	118.000.449	118.000.220	118.000.220
<ul style="list-style-type: none"> ● DENOTES COMPONENTS INCLUDED IN REPAIR KIT + SEE CHART FOR REPLACEMENT ENGINES * GO TO 5.5 HP B&S INTEK AND INTEK PRO 					