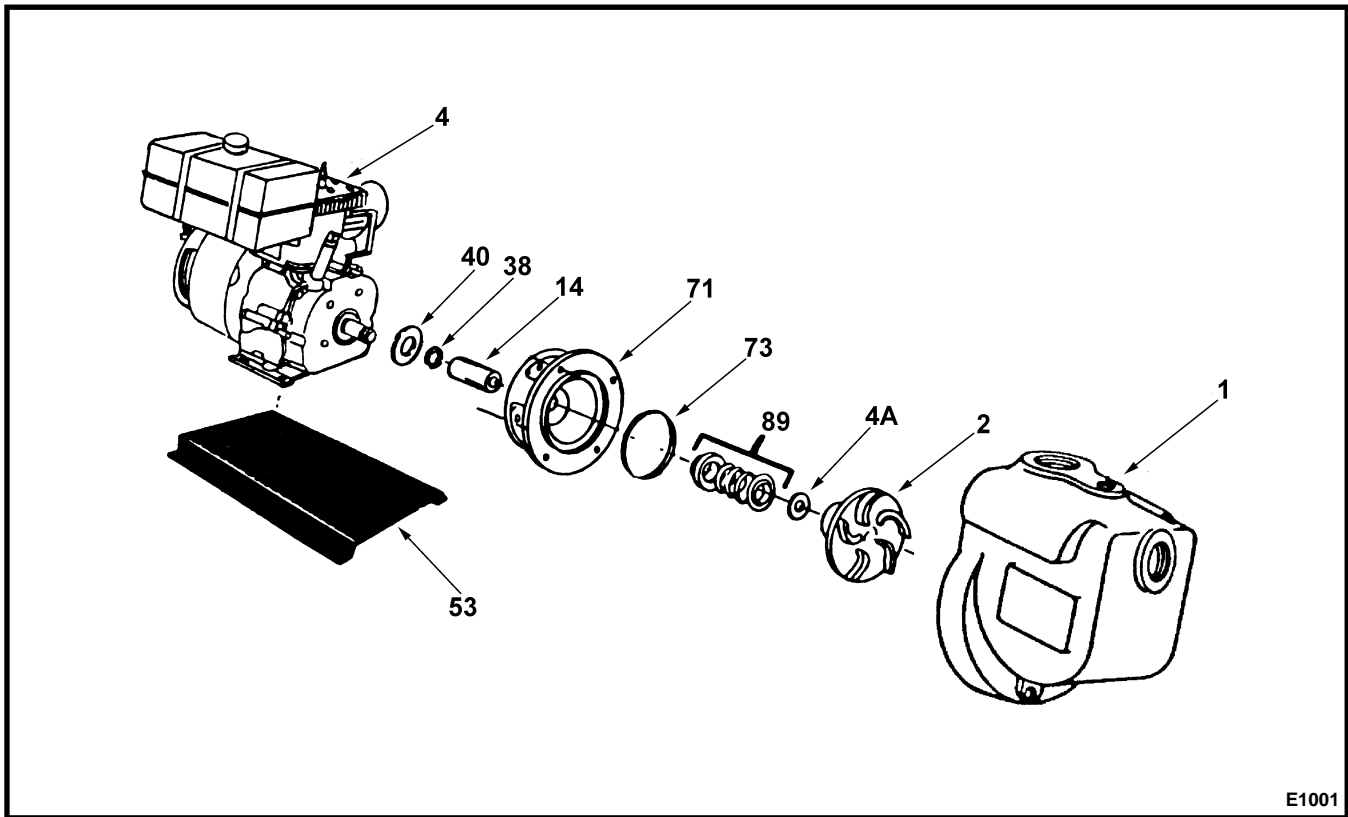


ENGINEPUMP™ - FKG 74AV5.5, 74AV5.5 IP

SELF PRIMING

B&S INTEK & INTEK PRO



E1001

KEY NO.	PART NAME	FKG 74AV5.5 & FKG 74AV5.5IP 2 X 2 NPT
1	CASE	130.000.239X
2	IMPELLER	131.000.238
4 +	ENGINE	5/8" THRD
4A ●	SHIM	104.000.142
14 ●	SHAFT SLEEVE	137.001.321
40 ●	FLINGER	104.000.179
53	BASE	119.000.151
71	ADAPTER	132.000.155
73 ●	GASKET, CASE	116.000.141
89 ●	SEAL VN-CM	101.000.115
--	REPAIR KIT	118.000.611
● DENOTES COMPONENTS INCLUDED IN REPAIR KIT		
+ SEE CHART FOR REPLACEMENT ENGINES		