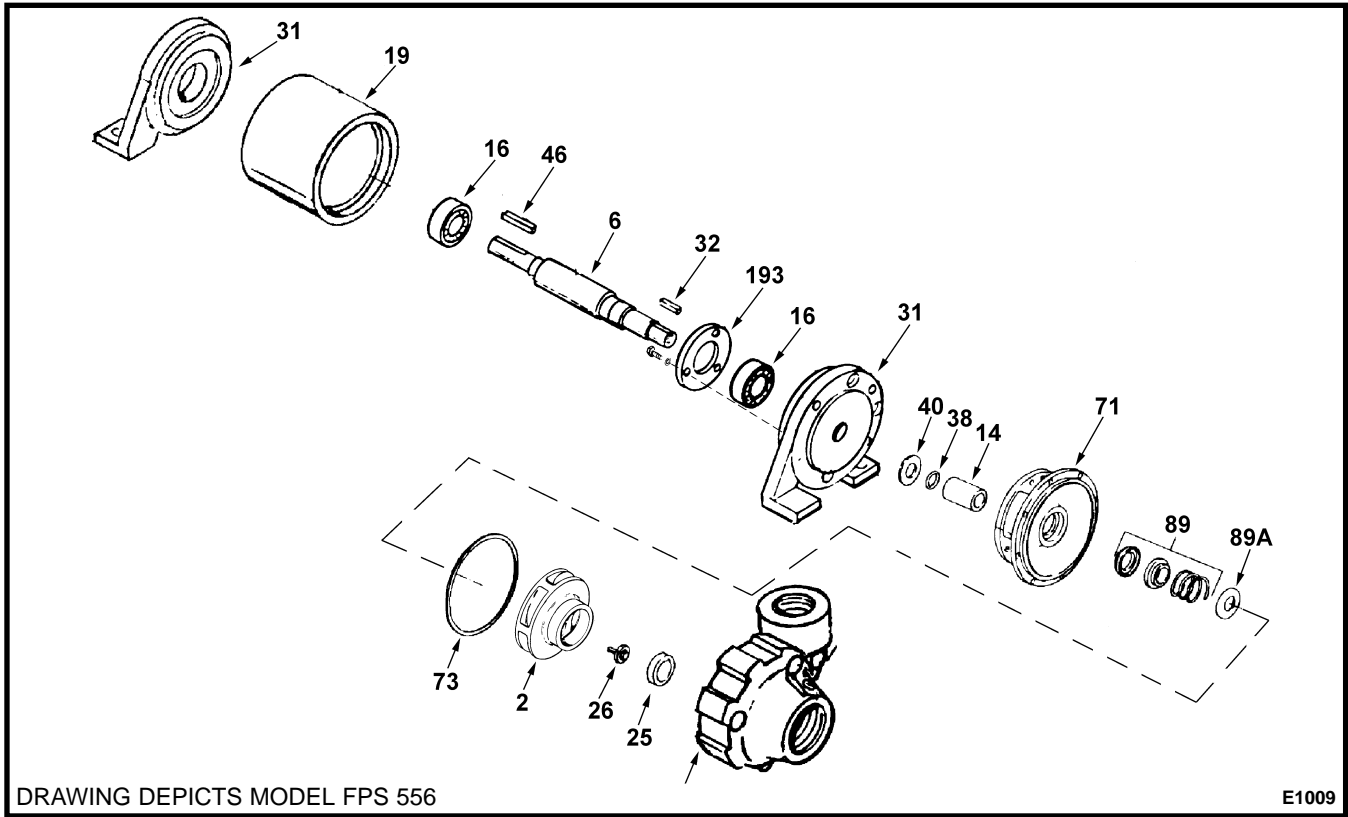


# FRAMEPUMP™ - FPS 556, 75

## 1 1/8" STRAIGHT SHAFT



KEY NO.	PART NAME	FPS 556	FPS 75
1	CASE	See Chart	See Chart
2	IMPELLER	See Chart	See Chart
14 ●	SHAFT SLEEVE	110.000.192	110.000.192
25	WEAR RING	103.000.152	NONE
26 ●	IMPELLER RETAINER	118.000.163A	118.000.111A
38 ●	O-RING, SHAFT	116.000.105	116.000.105
40 ●	FLINGER	104.000.165	104.000.165
71	ADAPTER	132.000.202	132.000.194
73 ●	GASKET, CASE	116.000.157	116.000.146
89 ●	SEAL VN-CM	101.000.191	101.000.191
89A ●	RETAINER	104.000.174	104.000.202
	BEARING FRAME ASS'Y	JM140	JM140
	CONSISTING OF:	118.000.213	118.000.213
6 □	SHAFT, ASS'Y	135.000.180X	135.000.180X
16	BEARING (2 REQ'D)	103.000.146	103.000.146
31	END BRACKET (2 REQ'D)	132.000.232	132.000.232
19	SHELL	110.000.231	110.000.231
32 ● □	KEY	102.000.102	102.000.102
44 □	KEY	102.000.194	102.000.194
193	RETAINER	110.000.244	110.000.244
--	REPAIR KIT	118.000.453	118.000.527

● DENOTES COMPONENTS INCLUDED IN REPAIR KIT  
 □ DENOTES COMPONENTS INCLUDED WITH SHAFT ASS'Y

### CASES

MODEL NO.	SIZE (NPT)		CASE
	SUCT	DISCH	
FPS 556 ♦	3	3	130.000.243X1
FPS 75	3	3	130.000.295X1

♦ INCLUDES STEEL WEAR RING.

### IMPELLERS - SPECIFY DIAMETER

MODEL NO.	7/8" KEYED - ENCLOSED
	IRON
FPS 556	131.000.427
FPS 75 †	131.000.304

† FPS 75 HAS SEMI-OPEN IMPELLER.