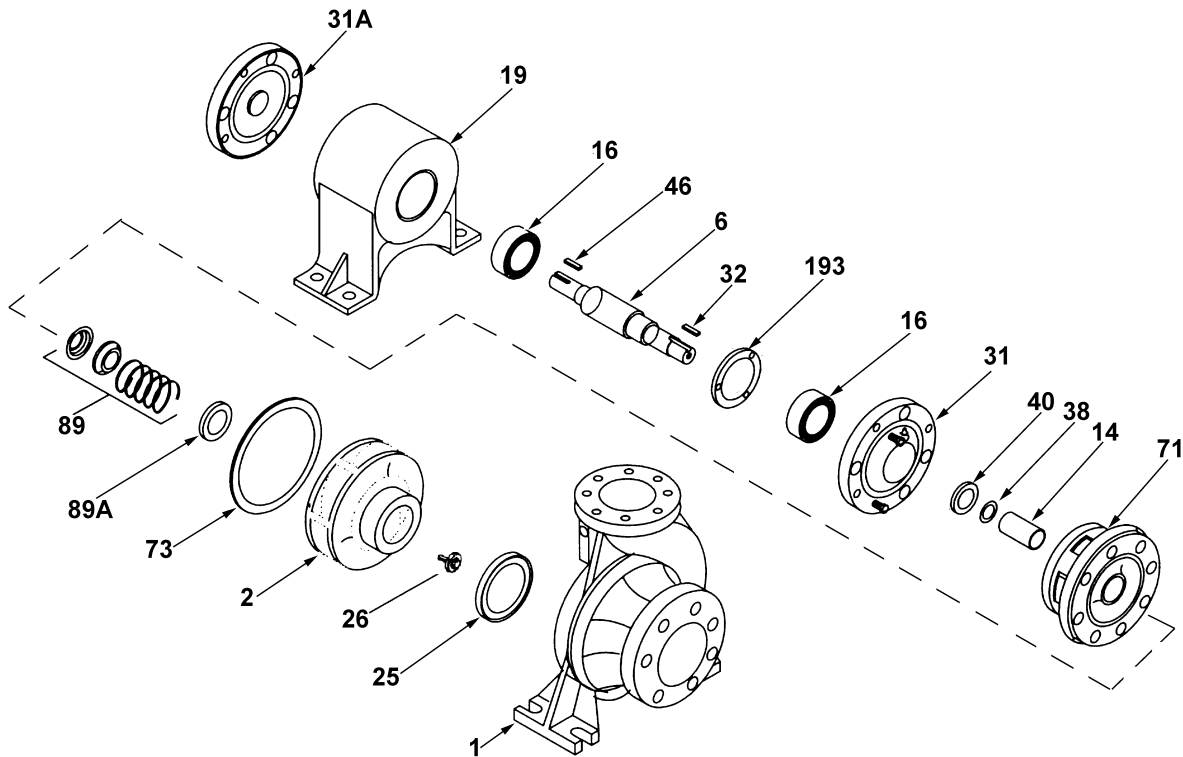


FRAMEPUMP™ - FP 57, 62

1 3/8" STRAIGHT SHAFT



DRAWING DEPICTS MODEL FP 57

E1022

KEY NO.	PART NAME	FP 57 4 X 3 FLG	FP 62 2 X 1.5 NPT
1 ♦	CASE	130.000.297X1	130.000.260X1
2	IMPELLER, ENCLOSED	131.000.709G	131.000.774
14 ●	SHAFT SLEEVE	110.000.373	110.000.192
25	WEAR RING	103.000.218	103.000.178
26 ●	IMPELLER RETAINER	118.000.163A	118.000.111A
32 ●	KEY	102.000.256	102.000.102
38 ●	O-RING, SHAFT	116.000.105	116.000.105
40 ●	FLINGER	104.000.256	104.000.165
71	ADAPTER	132.000.338	132.000.275
73 ●	GASKET, CASE	116.000.273	116.000.240
89 ●	SEAL VN-CM	101.000.191	101.000.191
89A ●	RETAINER	104.000.174	104.000.174
	BEARING FRAME ASS'Y CONSISTING OF:	JM210 118.000.332	JM210 118.000.332
6 □	SHAFT, ASS'Y	135.000.227X	135.000.227X
16	BEARING	103.000.167	103.000.167
19	SHELL	132.000.276	132.000.276
31	END BRACKET	132.000.278	132.000.278
31A	END BRACKET	132.000.278A	132.000.278A
46 □	KEY	102.000.270E	102.000.270E
193	RETAINER	110.000.315	110.000.315
--	REPAIR KIT	118.000.383A	118.000.386A
● DENOTES COMPONENTS INCLUDED IN REPAIR KIT □ DENOTES COMPONENTS INCLUDED WITH SHAFT ASS'Y ♦ INCLUDES STEEL WEAR RING.			