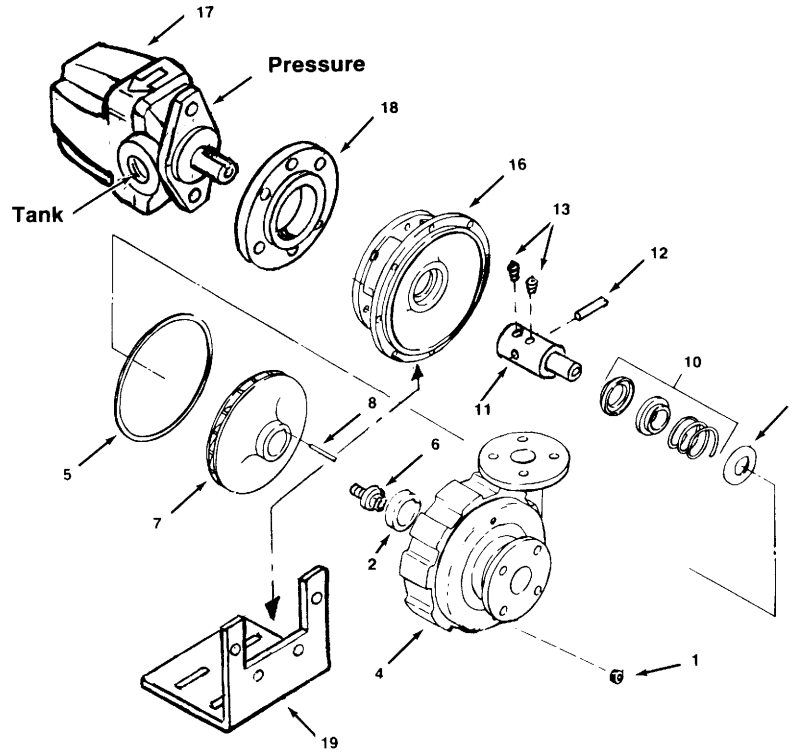


HYD 556

SCOT



| KEY NO. | PART NUMBER | QTY. | PART NAME | KEY NO. | PART NUMBER | QTY. | PART NAME |
|---------|-------------|------|------------------------|---------|-----------------|------|----------------------|
| 1 | 106.000.284 | 1 | Drain Plug | 10B | 101.000.204 | 1 | Seal Viton-Lime Duty |
| 2 | 103.000.152 | 1 | Wear Ring Steel | 11 | 135.000.185 | 1 | Stub Shaft Strn. |
| 4 | 130.000.185 | 1 | Case, 3 × 3 Flange | 12 | 105.000.353 | 1 | Groove Pin |
| 5 | 116.000.157 | 1 | Gasket | 13 | 105.000.104 | 2 | Set Screw |
| 6 | 118.000.163 | 1 | Impeller Ret. Assy. | 16 | 132.000.202 | 1 | Adapter |
| 7 | 131.000.430 | 1 | Impeller | 17 | Contact Factory | 1 | Hydraulic Motor |
| 8 | 102.000.102 | 1 | Key, Impeller | 18 | 132.000.238 | 1 | Flange |
| 9 | 104.000.174 | 1 | Seal Retainer | 19 | 119.000.238 | 1 | Base |
| 10A | 101.000.175 | 1 | Seal, Viton - Niresist | | | | |