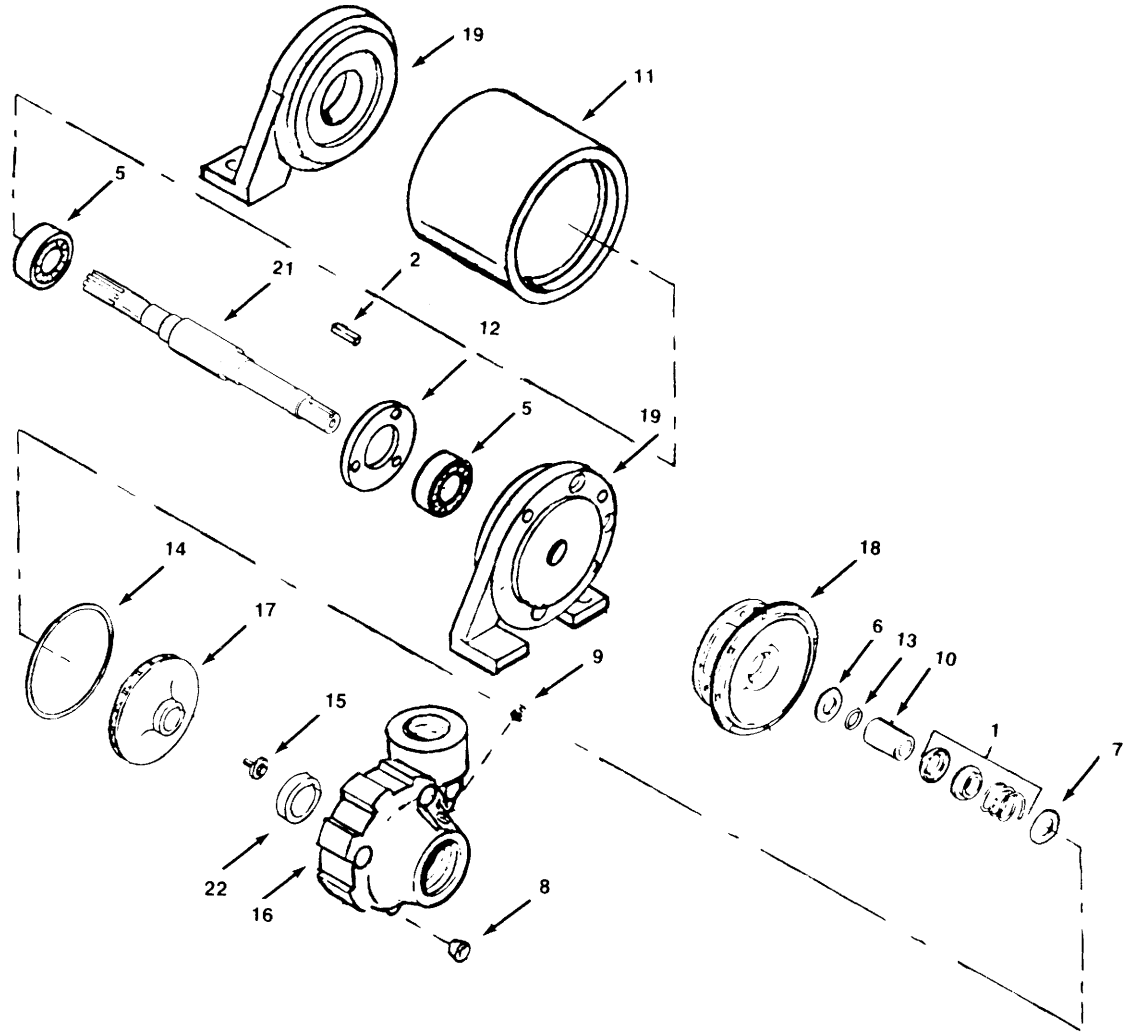


HYS 403, 604HB

SCOT



KEY NO.	PART NUMBER	QTY.	PART NAME	KEY NO.	PART NUMBER	QTY.	PART NAME
1A	101.000.191	1	Seal, Viton-Ceramic	13	116.000.117	1	O-Ring, Shaft
1B	101.000.204	1	Seal, Viton-Lime Duty	14	116.000.157	1	Gasket, Case
2	102.000.102	1	Key, Impeller	15	118.000.163	1	Impeller Ret. Assy.
*	Contact factory	1	Motor, Hydraulic	16A	130.000.244	1	Casing, 4 × 3 NPT
*	102.000.211	1	Coupling, Splined				HYS 403
5	103.000.146	2	Bearing	16B	130.000.233	1	Casing, 4 × 4 HB
6	104.000.165	1	Flinger, Shaft				HYS 604 HB
7	104.000.174	1	Retainer, Seal	17	131.000.427	1	Impeller
8	106.000.231	1	Drain Plug	18	132.000.202	1	Adapter
9	106.000.284	1	Plug, Pipe	19	132.000.232	2	End Bracket
10	110.000.284	1	Sleeve, 316 Stn. Stl.	*	132.000.249	1	Adapter, Hyd. Motor
11	110.000.231	1	Shell	21	135.000.193	1	Shaft
12	110.000.244	1	Retainer, Bearing	22	103.000.152	1	Wear Ring+

* Not shown in exploded view

+ Only required on Model HYS 403 (4 × 3 NPT Case)