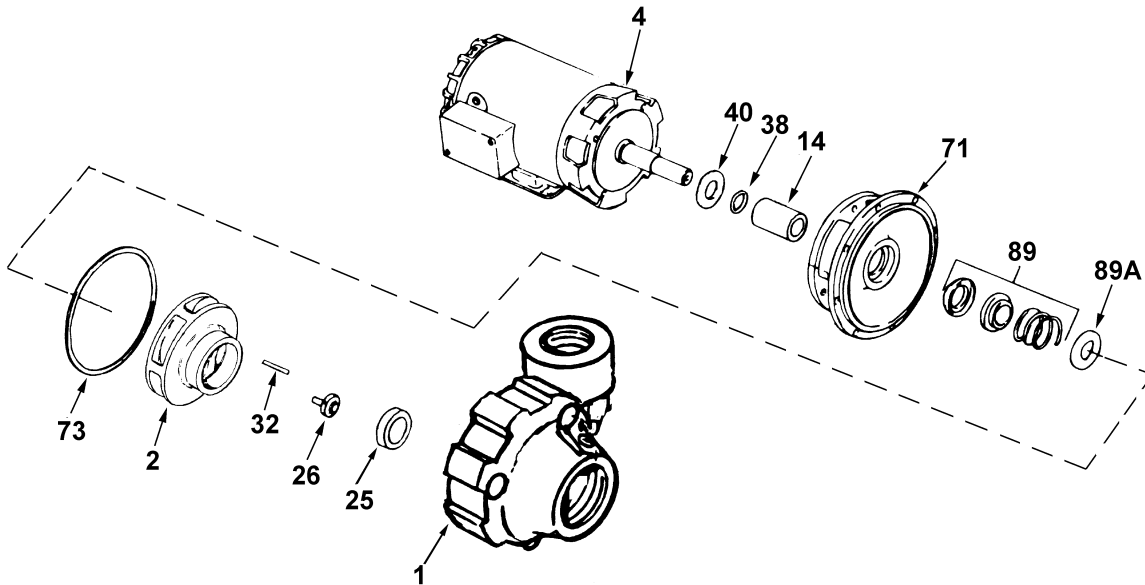


# MOTORPUMP™ - LFE 215, 219, 256

## STRAIGHT CENTRIFUGAL



DRAWING DEPICTS MODEL LFE 256 15HP

E1011

KEY NO.	PART NAME	LFE 215 3 X 3 NPT	LFE 219 2.5 X 2 NPT	LFE 256 4 X 3 NPT 15 HP 5.13 IMP.	LFE 256 4 X 3 NPT 20 HP 5.13 IMP
1	CASE	130.000.224X	130.000.166X	♦130.000.244X1	♦130.000.244X1
2	IMPELLER	See Chart	See Chart	131.000.431	131.000.573
4	MOTOR, JM FRAME	See Chart	See Chart	113.000.412	113.000.588
14 ●	SHAFT SLEEVE	110.000.192	110.000.192	110.000.192	110.000.261
25	WEAR RING	NONE	NONE	103.000.152	103.000.152
26 ●	IMPELLER RETAINER	118.000.111A	118.000.111A	118.000.163A	118.000.234
32 ●	KEY	102.000.102	102.000.102	102.000.102	102.000.208
38 ●	O-RING, SHAFT	116.000.105	116.000.105	116.000.105	116.000.218A
40 ●	FLINGER	104.000.165	104.000.165	104.000.165	104.000.200
71	ADAPTER, JM140/180	132.000.194	132.000.194	--	--
--	ADAPTER, JM210	132.000.195	132.000.195	132.000.213	--
--	ADAPTER, JM250	--	--	--	132.000.245
73 ●	GASKET, CASE	116.000.146	116.000.146	116.000.157	116.000.157
89 ●	SEAL VN-CM	101.000.191	101.000.191	101.000.191	101.000.216
89A ●	SEAL RETAINER	104.000.175	104.000.175	104.000.174	NONE
--	REPAIR KIT	118.000.343A	118.000.343A	118.000.344A	118.000.345A

● DENOTES COMPONENTS INCLUDED IN REPAIR KIT

♦ INCLUDES STEEL WEAR RING

### ENCLOSED IMPELLERS

MODEL NO.	SIZE	PART NUMBER	HP
LFE 215	5.13	131.000.289	7.5
	5.38	131.000.286C	10
LFE 219 †	5.00	131.000.141C	5
	5.38	131.000.141A	7.5

† MODEL NO. LFE 219 HAS SEMI-OPEN IMPELLER.