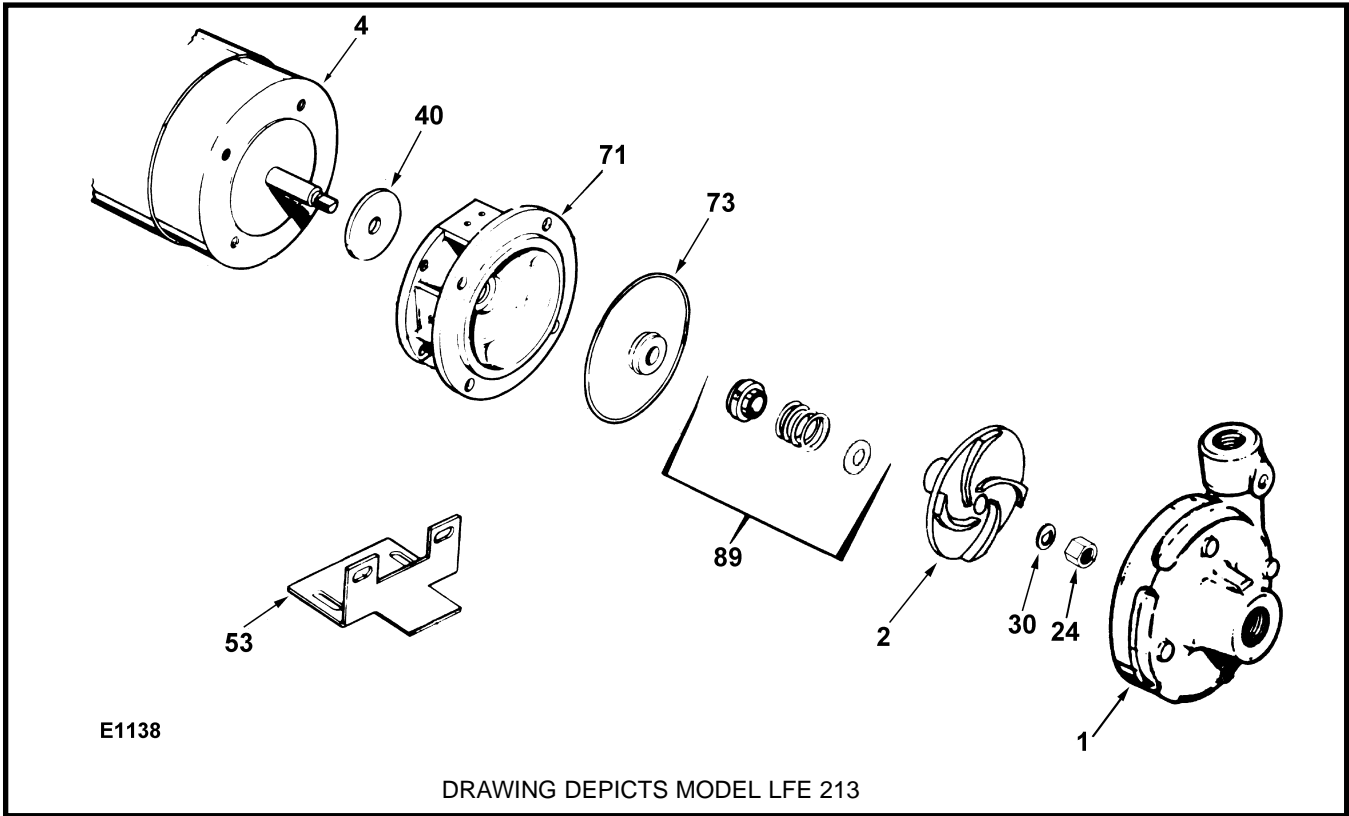


# MOTORPUMP™ - LFE 69, 213, 251, 261

## STRAIGHT CENTRIFUGAL



E1138

KEY NO.	PART NAME	LFE 69 1 X .75 NPT	LFE 213 1.25 X 1 NPT	LFE 251 1.5 X 1.5 NPT	LFE 261 2 X 2 NPT
1	CASE	130.000.283AX	130.000.319X	130.000.177X	130.000.211X
2	IMPELLER	See Chart	See Chart	See Chart	See Chart
4	MOTOR J56	See Chart	See Chart	See Chart	See Chart
24 ●+	LOCK NUT	105.000.174	105.000.465	105.000.465	105.000.465
30 ●+	D WASHER	104.000.168	104.000.168	104.000.168	104.000.168
40 ●	FLINGER	104.000.171	104.000.171	104.000.171	104.000.171
53	BASE	119.000.287A	119.000.231A	119.000.231A	119.000.231A
71	ADAPTER	132.000.298	132.000.200	132.000.207	132.000.207
73 ●	GASKET, CASE	116.000.153	116.000.146	116.000.141	116.000.141
89 ●	SEAL VN-CM	101.000.103	101.000.103	101.000.103	101.000.103
--	REPAIR KIT: 1 PHASE 3 PHASE	118.000.389A.1 118.000.389A	118.000.340A.1 118.000.340A	118.000.341A.1 118.000.341A	118.000.341A.1 118.000.341A

- DENOTES COMPONENTS INCLUDED IN REPAIR KIT
- + NOT REQUIRED ON 1/3 - 1 1/2 HP, 1 PHASE MOTORS;  
USE 3 PHASE KIT FOR 2 - 3 HP, 1 PHASE MOTORS.

### SEMI-OPEN IMPELLERS

MODEL NO.	SIZE	PART NUMBER
LFE 69	2.75	131.000.681D
	3.00	131.000.681F
	3.25	131.000.681B
	3.44	131.000.681
LFE 213	3.13	131.000.266
	3.75	131.000.184
	4.00	131.000.183
	4.50	131.000.107B
	4.75	131.000.107
LFE 251, 261	4.38	131.000.315