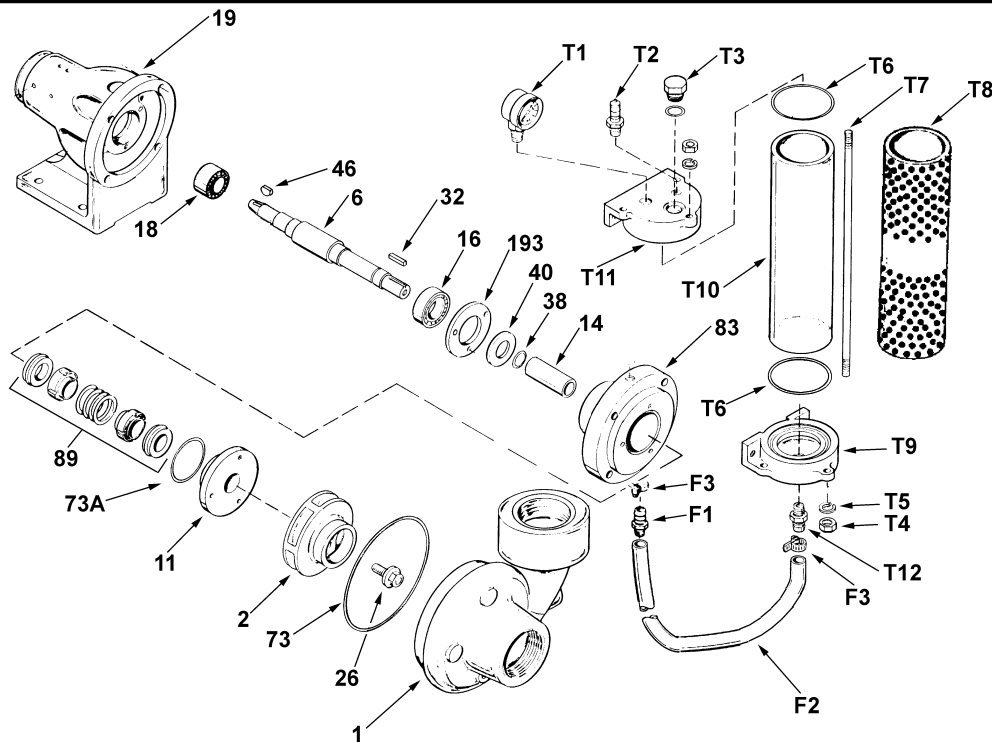


FRAMEPUMP™ - PSD 303, 303N, 403

PRESSURSEAL® ALL IRON - CLUTCH



DRAWING DEPICTS MODEL PSD 303N.
THE CLUTCH & CLUTCH MOUNTING PLATE ARE NOT SHOWN.

E1008

KEY NO.	PART NAME	PART NO.
1	CASE	See Chart
2	IMPELLER	See Chart
11	SEAL PLATE	132.000.159
14 ●	SLEEVE	110.000.251
26 ●	IMP. RETAINING ASSY	118.000.111A
38 ●	O-RING, SHAFT	116.000.193
40 ●	FLINGER	104.000.107
73 ●	GASKET, CASE	116.000.146
73A ●	O-RING, PLATE	116.000.143
83	BACKPLATE	132.000.250
89 ●	SEAL VN-CM	101.000.210
F1	FITTING	106.000.323
F2	HOSE	108.000.160A
F3	CLAMP (2 REQ'D)	106.000.370
=	CLUTCH PLATE	110.000.221
=	CLUTCH, 6"	120.000.271X
=	CLUTCH, 7"	120.000.189X
	BEARING FRAME ASS'Y CONSISTING OF:	F1180442 118.000.442
6 □	SHAFT, ASS'Y	135.000.194X
16	BEARING	103.000.146
18	BEARING	103.000.150
19	FRAME	132.000.237
32 ● □	KEY	102.000.102
46 □	KEY	102.000.179
193	RETAINER	110.000.244
--	REPAIR KIT	118.000.353

● DENOTES COMPONENTS INCLUDED IN REPAIR KIT
□ DENOTES COMPONENTS INCLUDED WITH SHAFT ASS'Y
= NOT SHOWN

CASES & IMPELLERS

MODEL NO.	CASE	IMPELLER
PSD 303	130.000.215X	131.000.286
PSD 303N	130.000.224AX	131.000.286
PSD 403	130.000.223X	131.000.286

118.000.236 TANK ASSEMBLY

KEY NO.	PART DESCRIPTION	PART NO.
T1	GAUGE	102.000.212
T2	VALVE	106.000.120
T3	PLUG	106.000.322
T4	NUT	105.000.196
T5	LOCKWASHER	104.000.121
T6	O-RING	116.000.152
T7	STUD	105.000.322
T8	GUARD	119.000.314
T9	END	136.000.166
T10	TUBE	108.000.159
T11	END	135.000.165
T12	FITTING	106.000.323