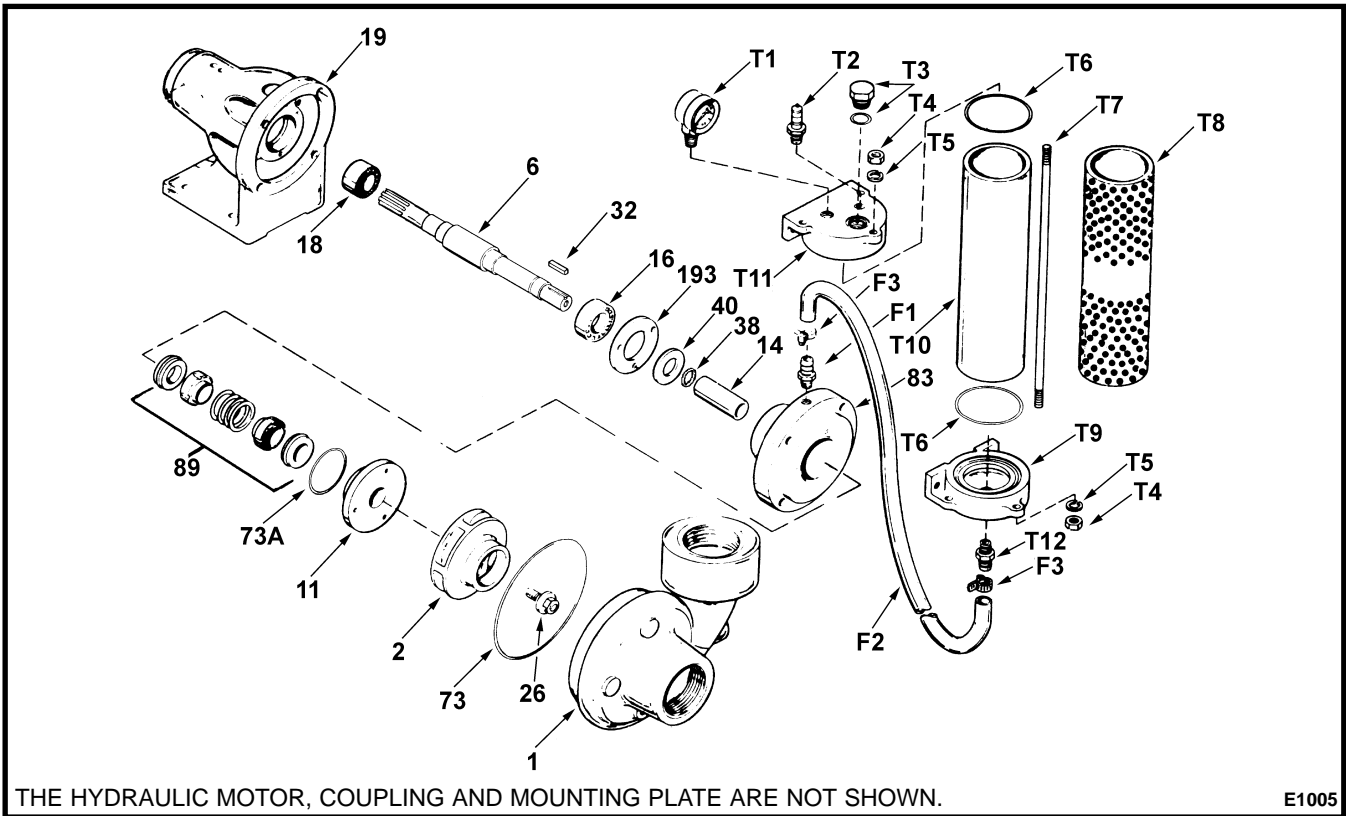


FRAMEPUMP™ - PSH 151, 202, 252, 303, 303HB, 303SP, 403HB PRESSURSEAL® ALL IRON - HYDRAULIC



E1005

KEY NO.	PART NAME	PART NO.
1	CASE	See Chart
2	IMPELLER	See Chart
11	SEAL PLATE	132.000.159
14 ●	SLEEVE	110.000.251
26 ●	IMP. RETAINING ASSY	118.000.111A
38 ●	O-RING, SHAFT	116.000.193
40 ●	FLINGER	104.000.107
73 ●	GASKET, CASE	116.000.146
73A ●	O-RING, PLATE	116.000.143
83	BACKPLATE	132.000.250
89 ●	SEAL VN-CM	101.000.210
F1	FITTING	106.000.323
F2	HOSE	108.000.160A
F3	CLAMP (2 REQ'D)	106.000.370
=	COUPLING	102.000.211
=	ADAPTER, MOTOR	132.000.241
=	MOTOR	See Chart
	BEARING FRAME ASS'Y	F1180439
	CONSISTING OF:	118.000.439
6 □	SHAFT, ASS'Y	135.000.195X
16	BEARING	103.000.146
18	BEARING	103.000.150
19	FRAME	132.000.237
32 ● □	KEY	102.000.102
193	RETAINER	110.000.244
--	REPAIR KIT	118.000.353

● DENOTES COMPONENTS INCLUDED IN REPAIR KIT
□ DENOTES COMPONENTS INCLUDED WITH SHAFT ASS'Y
= NOT SHOWN

HYDRAULIC MOTORS

SUFFIX	FLOW GPM	PART NO.
085	12	102.000.209
127	18	102.000.237

CASES & IMPELLERS

MODEL NO.	CASE	IMPELLER
PSH 151	130.000.181X	131.000.135
PSH 202	130.000.168X	131.000.470
PSH 252	130.000.166X	131.000.141A
PSH 303	130.000.224AX	131.000.286
PSH 303HB	130.000.215X	131.000.286
PSH 303SP	130.000.295X	131.000.304
PSH 403HB	130.000.223X	131.000.286

118.000.236 TANK ASSEMBLY

KEY NO.	PART DESCRIPTION	PART NO.
T1	GAUGE	102.000.212
T2	VALVE	106.000.120
T3	PLUG	106.000.322
T4	NUT	105.000.196
T5	LOCKWASHER	104.000.121
T6	O-RING	116.000.152
T7	STUD	105.000.322
T8	GUARD	119.000.314
T9	END	136.000.166
T10	TUBE	108.000.159
T11	END	135.000.165
T12	FITTING	106.000.323

PA1038