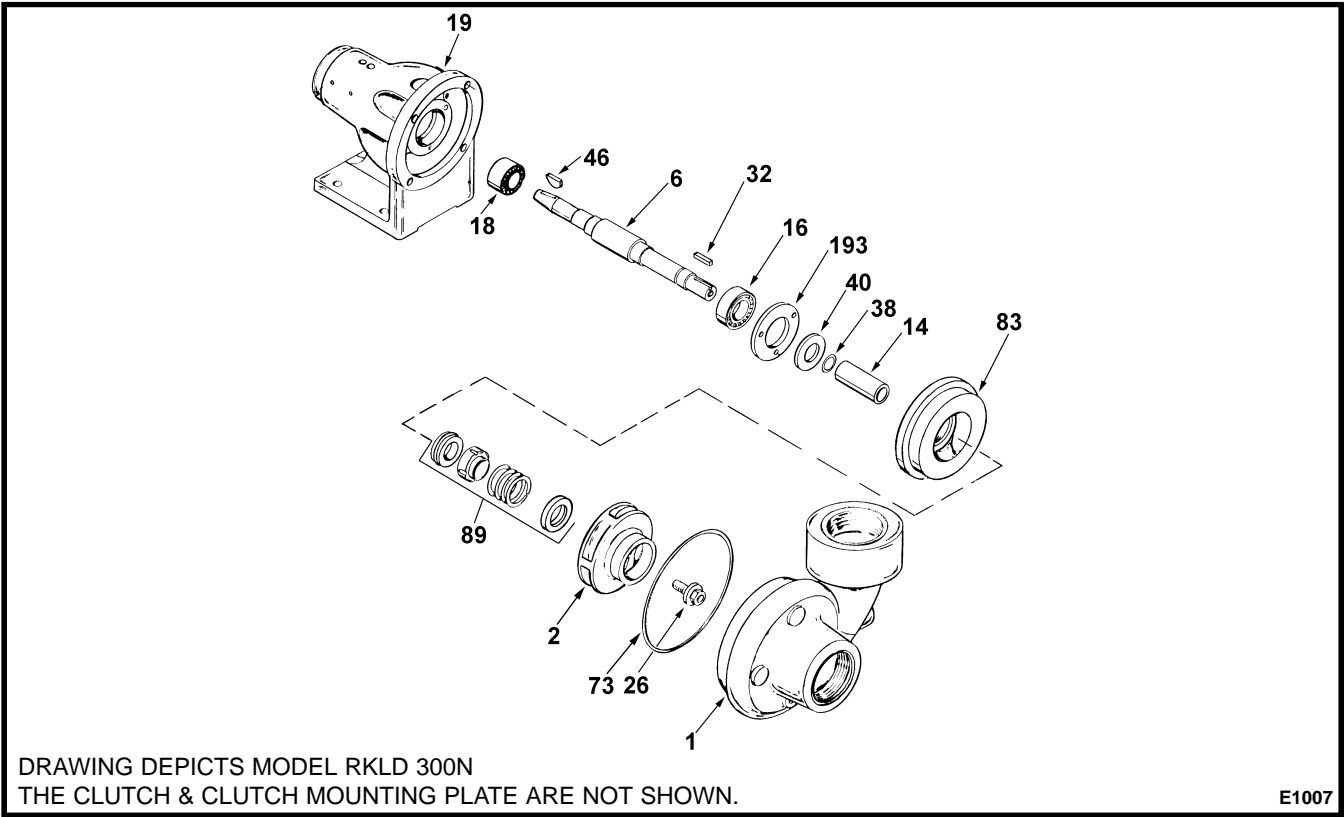


FRAMEPUMP™ - RKLD 300N, 300V, 400V

7/8" TAPERED SHAFT FOR CLUTCH - ALL IRON



E1007

KEY NO.	PART NAME	PART NO.
1	CASE	See Chart
2	IMPELLER	131.000.286
14 ●	SHAFT SLEEVE	135.000.187
26 ●	IMPELLER RETAINER	118.000.111A
38 ●	O-RING, SHAFT	116.000.193
40 ●	FLINGER	104.000.107
73 ●	GASKET, CASE	116.000.146
83	BACKPLATE	132.000.183
89 ●	SEAL VN-CM	101.000.194
=	CLUTCH PLATE	110.000.221
=	CLUTCH, 6"	120.000.271X
=	CLUTCH, 7"	120.000.189X
	BEARING FRAME ASS'Y	F1180441
	CONSISTING OF:	118.000.441
6 □	SHAFT, ASS'Y	135.000.184X
16	BEARING	103.000.146
18	BEARING	103.000.150
19	FRAME	132.000.237
32 ●□	KEY	102.000.102
46 □	KEY	102.000.179
193	RETAINER	110.000.244
--	REPAIR KIT	118.000.352
● DENOTES COMPONENTS INCLUDED IN REPAIR KIT		
□ DENOTES COMPONENTS INCLUDED WITH SHAFT ASS'Y		
+ NOT SHOWN		

MODEL NO.	CASES		PART NO.
	**SIZE	SUCT	
RKLD 300N	3	3	130.000.224X
RKLD 300V	3	3	130.000.215X
RKLD 400V	4	3	130.000.223X

**All case sizes are Hose Barb, except RKLD 300N which is NPT.