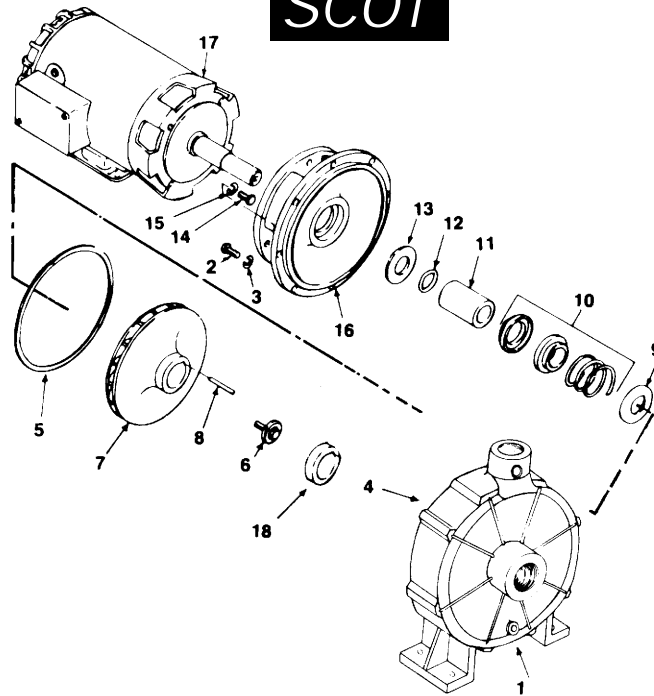


TE, KTE 62

1 - 15 HP - 1-1/2" Seal

SCOT



COMMON PARTS FOR TE, KTE PUMPS

KEY NO.	PART NUMBER	QTY.	PART NAME	KEY NO.	PART NUMBER	QTY.	PART NAME
1A	106.000.284	2	Drain Plug Steel	10B	101.000.191	1	Seal Viton - Ceramic
1B	107.000.215	2	Drain Plug Brass	10C	101.000.175	1	Seal Viton - Niresist
4	130.000.260	1	Case Iron	11A	110.000.178	1	Sleeve Brass
5	116.000.240	1	O-Ring Buna	11B	110.000.284	1	Sleeve 316 Stn. Stl.
6	118.000.302	1	Imp. Ret. Ass'y	12	116.000.117	1	O-Ring Buna
7	See Chart	1	Impeller	13	104.000.165	1	Flinger
8	102.000.102	1	Key	16	132.000.275	1	Adapter Iron 4½/8½ AK
9	104.000.174	1	Retainer, Seal Spring	17	See Chart	1	Motor (JM Frame)
10A	101.000.168	1	Seal Buna - Ceramic	18	103.000.166	2	Wear Ring, Brnz

MOTORS

KTE 62 - 1750 RPM

H.P.	3 PHASE ODP	3 PHASE TEFC
1	113.000.451	113.000.501
1-1/2	113.000.375	113.000.686
2	113.000.417	113.000.728
3	113.000.418	113.000.510
5	113.000.595	113.000.675

IMPELLERS

IMPELLER DIAMETER	BRONZE	STN. STL.
9.0	131.000.653	131.000.656
8.4	131.000.653D	131.000.656D
8.3	131.000.653E	131.000.656E
7.7	131.000.653F	131.000.656F
7.6	131.000.653A	131.000.656A
7.0	131.000.653C	131.000.656C
6.5	131.000.653G	131.000.656G

TE 62 - 3450 RPM

H.P.	3 PHASE ODP	3 PHASE TEFC
5	113.000.352	113.000.401
7-1/2	113.000.353	113.000.363
10	113.000.376	113.000.419
15	113.000.377	113.000.412