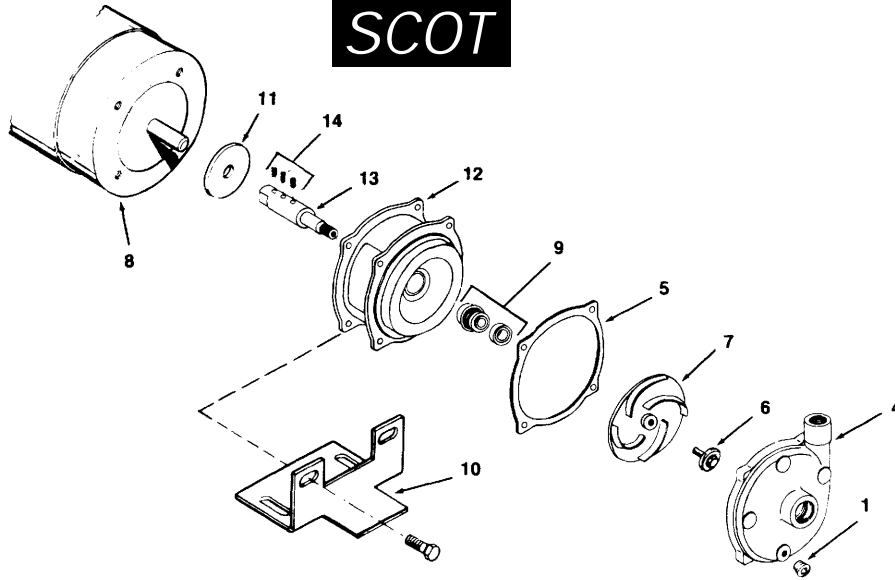


VE 71, 72, 78, KVE 72



COMMON PUMP PARTS FOR VE PUMPS

KEY NO.	PART NUMBER	QTY.	PART NAME	KEY NO.	PART NUMBER	QTY.	PART NAME
1A	106.000.284	1	Drain Plug Steel	9C	101.000.211	1	Seal Viton - Ceramic
1B	107.000.215	1	Drain Plug Brass	10	119.000.237	1	Mounting Base
4	See Chart	1	Case	11	104.000.171	1	Flinger
5	116.000.195	1	Gasket	12A	132.000.273	1	Adapter, Iron
6	118.000.311	1	Impeller Ret. Assy.	12B	132.000.247	1	Adapter, Bronze
7	See Chart	1	Impeller	13A	135.000.198	1	Stub Shaft Brass
8	See Chart	1	Motor (56 C Frame)	13B	135.000.192B	1	Stub Shaft Stn. Stl.
9A	101.000.198	1	Seal Buna - Ceramic	14	105.000.313	3	Set Screws
9B	101.000.234	1	Seal Viton - Niresist				

IMPELLERS

VE 71

IMPELLER DIAMETER	IRON	CIBF	BRONZE
4.7	131.000.648	131.000.647	131.000.649
4.5	131.000.648A	131.000.647A	131.000.649A
4.2	131.000.648B	131.000.647B	131.000.649B
4.0	131.000.648C	131.000.647C	131.000.649C
3.5	131.000.648D	131.000.647D	131.000.649D

CASES

MODEL NO.	SIZE	IRON	BRONZE
KVE 72, VE 72	1 × ¾	N/A	130.000.259
VE 71	1 × ¾	130.000.253	130.000.252
VE 78+	1½ × 1½	N/A	130.000.229

+ Not shown in exploded view.
 Suction Flange part no. 136.000.163.
 Suction Flange Gasket part no. 116.000.196

MOTORS — 60 HERTZ — 56C FRAME

KVE 72, VE 72, 78

IMPELLER DIAMETER	BRONZE	IRON
20/4.72	131.000.544	N/A
15/4.72	131.000.543	N/A
10/4.75	131.000.542	N/A
7/4.75	131.000.541	N/A
5/4.41	131.000.540	N/A
5/3.88	131.000.619	N/A
5/3.50	131.000.540C	N/A

H.P.	1 PHASE		3 PHASE	
	ODP	TEFC	ODP	TEFC
1/6*	113.000.168	113.000.758	—	—
1/4*	113.000.169	113.000.230	113.000.124	113.000.345
1/3	113.000.105	113.000.229	113.000.459	113.000.453
	113.000.106	113.000.144	113.000.110	113.000.182
3/4	113.000.107	113.000.167	113.000.111	113.000.147
	113.000.108	113.000.136	113.000.112	113.000.138
1-1/2	113.000.109	113.000.317	113.000.113	113.000.149
	113.000.279	113.000.324	113.000.304	113.000.336
3	—	N/A	113.000.331	113.000.344

* Motors are 1725 RPM; Balance are 3450 RPM.