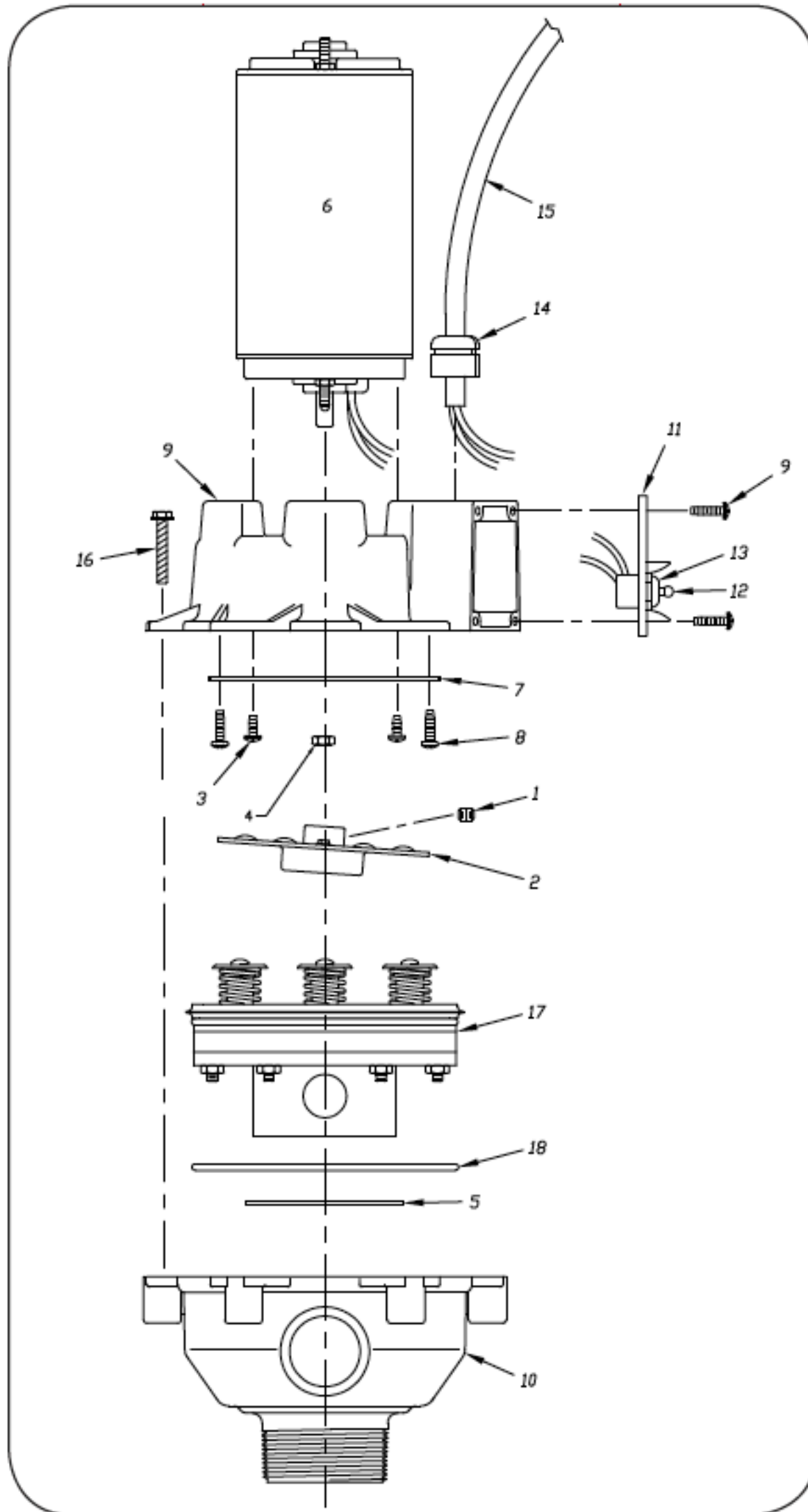


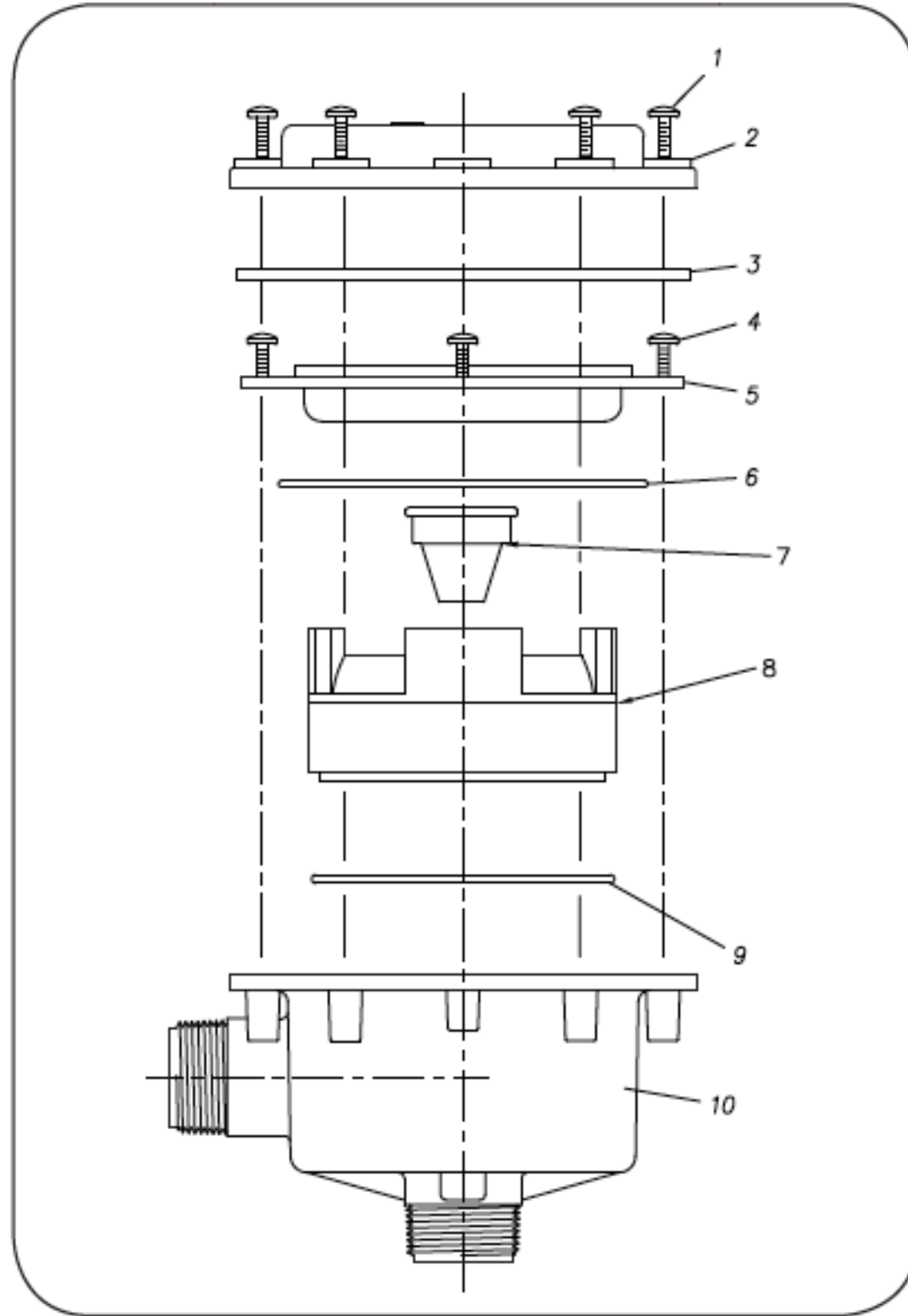
PH6 Panther Pump Parts List (PH6P-01)



PH6 Panther Pump Parts List

ITEM NUMBER	PART NUMBER	QTY	DESCRIPTION	AVAILABLE AS
1	CP-47	1	1/4 - 20 X 1/4 SET SCREW	PH6M01
2	WP-01ASSY	1	MOTOR DRIVE PLATE ASSEMBLY	PART
3	EP-11	2	10/32 X 3/8 RND HD/PAN HD PHL SCREW	PH6M01
4	DD6P-07SS	2	10-32 SS NYLON INSERT LOCK NUT	PH6M01
5	LF-03 EPDM	1	EPDM 1/16 BOTTOM GASKET	PHP KIT-01, PHP KIT-02
6	PH-01	1	12 VOLT MAMCO MOTOR FOR PHP	PH6M01
7	PH-02	1	ALUMINUM MOTOR MOUNTING PLATE	PH6M01
8	PH-03	7	#10 X 5/8 PHIL. SS HI-LO SCREW	PHP KIT-03
9	PH-04	1	POLYPROPYLENE MOTOR HOUSING	PART
10	PH-05	1	NYLON PUMP HOUSING	PH6 KIT-01
11	PH-07	1	MOLDED JUNCTION BOX COVER	PHP KIT-03
12	PH-08	1	GAYNOR MICRO SWITCH/#6602-57	PHP KIT-03
13	PH-09	1	HALF BOOT FOR TOGGLE SWITCH	PHP KIT-03
14	PH-14	1	STRAIN RELIEF CORD BUSHING #1254	PH6M01
15	PHA-04	1	20' CABLE ASSY. FOR PH6 PUMP	PH6M01
16	PH-13	6	SELF-TAPPING SCREW	PH6 KIT-01
17	SS6P-D	1	PUMP CARTRIDGE FOR PH6	PHP KIT-01
18	SS6P-21	1	O-RING #248 EPDM	PHP KIT-01, PHP KIT-02

SEM-10 Parts List



ITEM	PART	QTY	DESCRIPTION	AVAILABLE AS
1	PH-13	8	#10 X 1" PHIL.SS HI-LO SCREW	Part
2	S10-11	1	POLYPROPYLENE ELECTRONICS	SEM-10 Kit-01
3	S10-12	1	GASKET, 1/16", EPDM	SEM-10 Kit-01
4	PH-03	4	#10 X 5/8" PHIL.SS HI-LO SCREW	SEM-10 Kit-03
5	S10-02N	1	NYLON MOLDED COVER PLATE	SEM-10 Kit-03
6	S10-03	1	94.4 X 3.1 METRIC/VITON O-RING	SEM-10 Kit-04
7	S10-14	1	DRIVE DOG CONE W/MAGNET	SEM-10 Kit-02, SEM-10 Kit-04
8	SFM10000-01,02,03	1	WOBBLE PLATE COMPONENTS	SEM-10 Kit-02
9	S10-04	1	#152 VITON O-RING	SEM-10 Kit-02
10	S10-05N	1	NYLON MOLDED FLUID CAN	Part