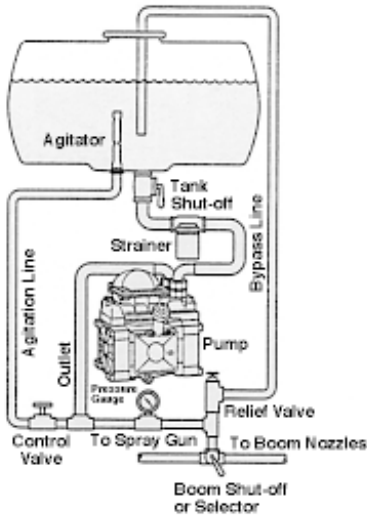
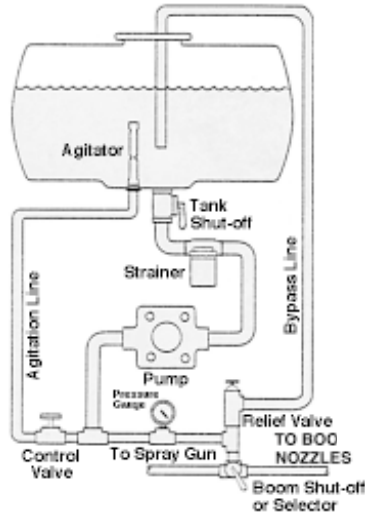


Pressure-Based Sprayer Plumbing Diagrams

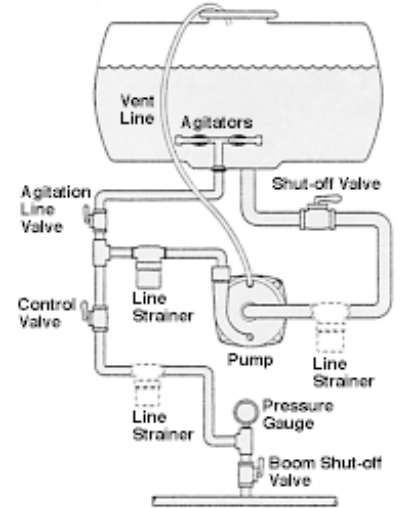
Diaphragm Pumps



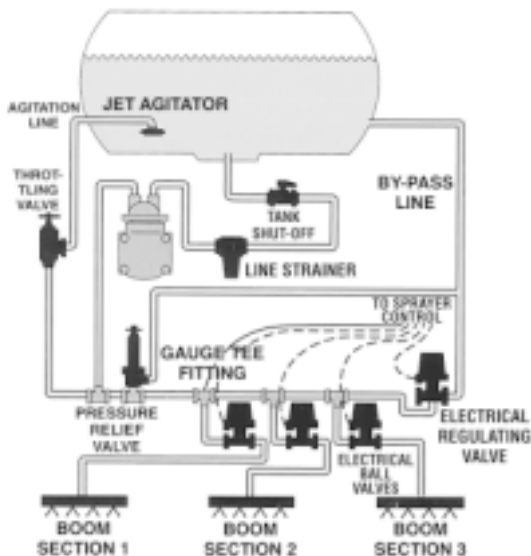
Manual Control Positive Displacement Pump Piston, Roller & Diaphragm



Manual Control Centrifugal Pumps

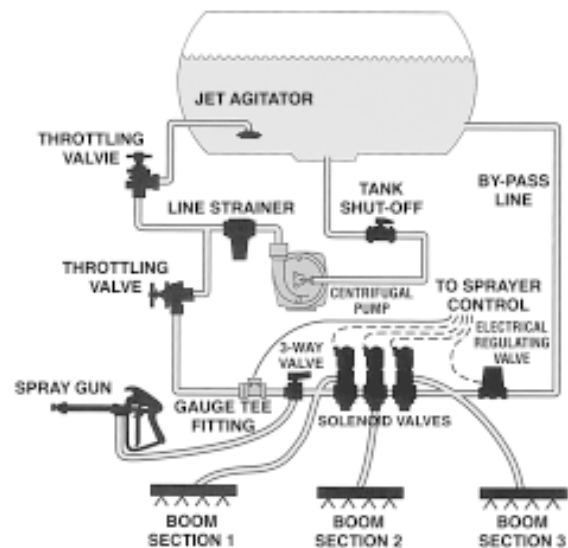


Electronic Control Positive Displacement Pumps Piston, Roller & Diaphragm - Pressure Based -



Positive Displacement Pump: Piston, roller and diaphragm pumps are all types of positive displacement pumps. This means that pump output is proportional to speed and virtually independent of pressure. A key component in a positive displacement system is the pressure relief valve. Proper placement and sizing of the pressure relief valve is essential for safe and accurate operation of a positive displacement pump.

Electronic Control Centrifugal & Turbine Pumps - Pressured Based -



Non-Positive Displacement Pump: The centrifugal pump is the most common non-positive displacement pump. The output from this type of pump is influenced by pressure. This pump is ideal for delivering large volumes of liquid at low pressures. A key component of the centrifugal pump is the throttling valve. A manual throttling valve on the main output line is essential for the accurate operation of the centrifugal pump.