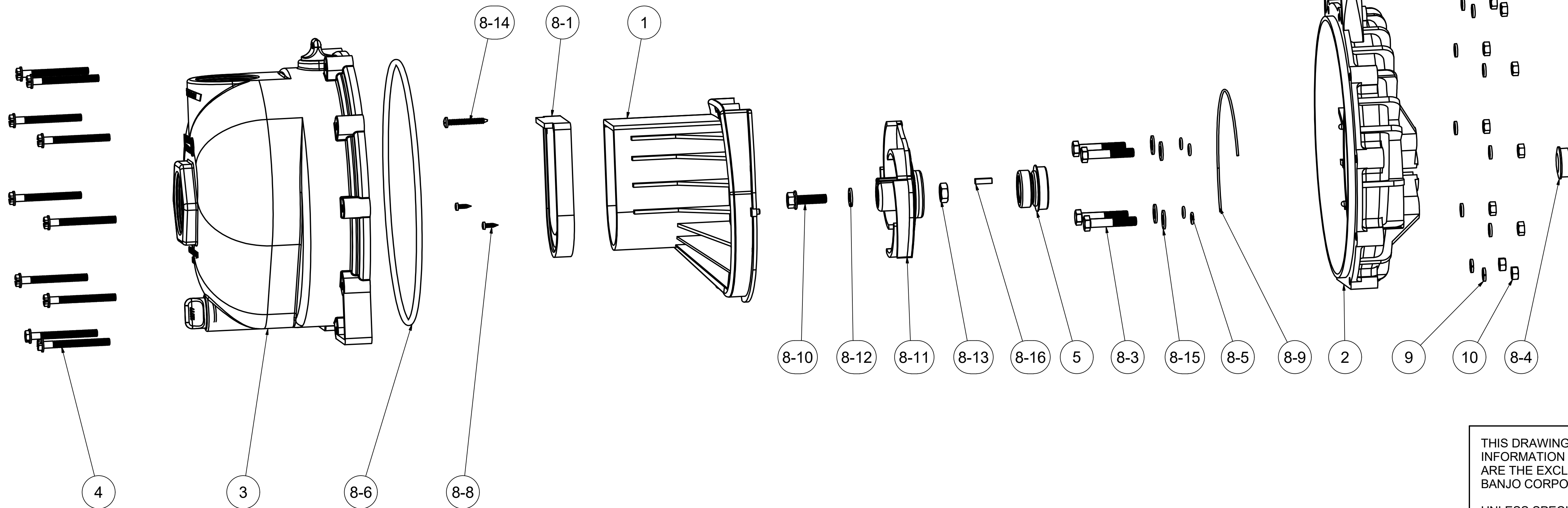


| Parts List |     |             |                                       |
|------------|-----|-------------|---------------------------------------|
| ITEM       | QTY | PART NUMBER | DESCRIPTION                           |
| 1          | 1   | 12702A      | 2" POLY PUMP VOLUTE                   |
| 2          | 1   | 12703A      | POLY PUMP REAR BRACKET                |
| 3          | 1   | 12712AP     | 2" POLY PUMP BODY                     |
| 4          | 2   | 12720       | 1/4-20 X 2 1/2" SL IND HWHS           |
| 5          | 1   | 12733       | MECH. SEAL ASSY.                      |
| 6          | 1   | 12910       | DECAL (N/S)                           |
| 7          | 1   | KK-52       | 1-1/2", 2" & 3" PUMP MANUAL           |
| 8          | 1   | PUMPKIT003  | PUMP KIT FOR 205PO                    |
| 8-1        | 1   | 12705       | CHECKVALVE                            |
| 8-2        | 1   | 12710       | #029 O'RING                           |
| 8-3        | 4   | 12715A      | 5/16-24 X 1 3/4" HHCS WITH TORQ-PATCH |
| 8-4        | 1   | 12716       | PUMP SLINGER                          |
| 8-5        | 4   | 12717       | #11 O'RING                            |
| 8-6        | 1   | 12719A      | #375 O'RING                           |
| 8-7        | 8   | 12720       | 1/4-20 X 2 1/2" SL IND HWHS           |
| 8-8        | 2   | 12725       | #6 X 1/2" PPH SMS                     |
| 8-9        | 1   | 12754       | O'RING SEGMENT                        |
| 8-10       | 1   | 12765A      | 5/16-24 X 1 1/8" HFS                  |
| 8-11       | 1   | 12772       | IMPELLER                              |
| 8-12       | 1   | 12774VA     | IMPELLER BOLT GASKET                  |
| 8-13       | 1   | 12775A      | 7/16-14 HEX NUT                       |
| 8-14       | 1   | 12900       | #10 X 1 1/2" PPH SMS                  |
| 8-15       | 4   | 12901       | 5/16" FLAT WASHER                     |
| 8-16       | 1   | 12902A      | 3/16" SQ. X 5/8" KEY                  |
| 8-17       | 8   | V07018      | 1/4" LOCKWASHER                       |
| 8-18       | 8   | V07019      | 1/4-20 HEX NUT                        |
| 9          | 2   | V07018      | 1/4" LOCKWASHER                       |
| 10         | 2   | V07019      | 1/4-20 HEX NUT                        |



**BANJO CORPORATION**  
 150 BANJO DRIVE, CRAWFORDSVILLE, IN 47933  
 WEB SITE: WWW.BANJOCORP.COM  
 E-MAIL: SALES1@BANJOCORP.COM

DESCRIPTION  
**2" POLY PUMP ONLY W/ 5 VANE IMPELLER**

PART NUMBER  
**205PO**

THIS DRAWING AND ALL INFORMATION CONTAINED THEREON ARE THE EXCLUSIVE PROPERTY OF BANJO CORPORATION.

UNLESS SPECIFICALLY NOTED, THIS DRAWING AND ITEMS SHOWN ON THIS DRAWING ARE SUBJECT TO CHANGE AT ANY TIME.