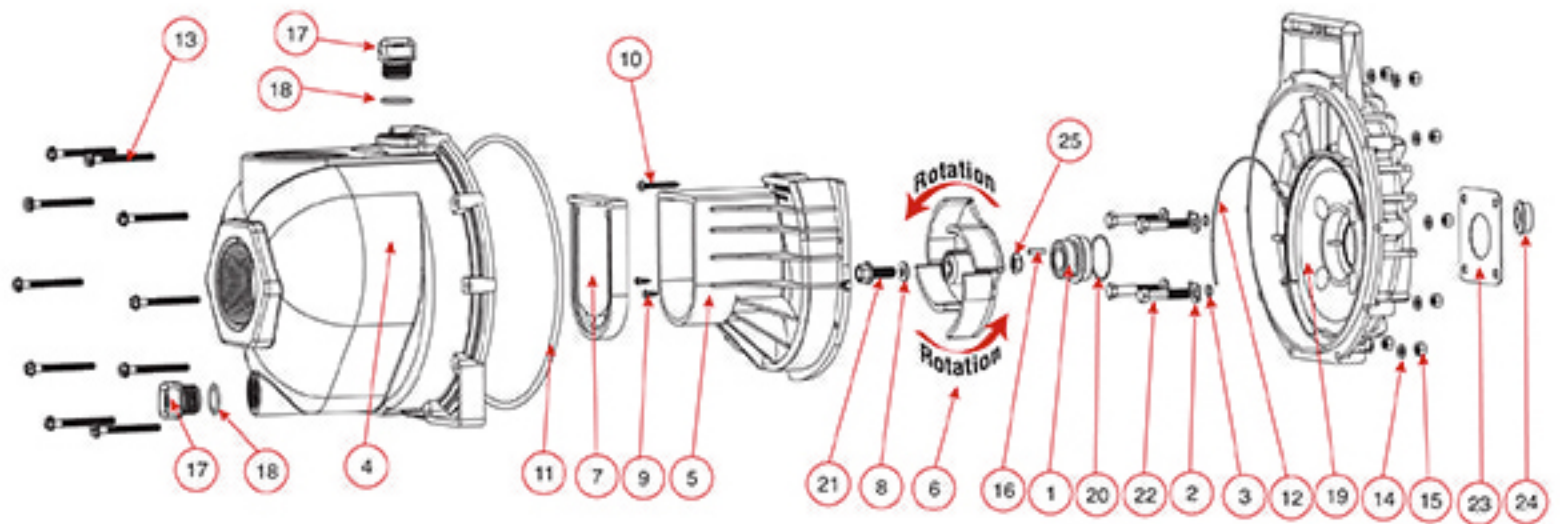
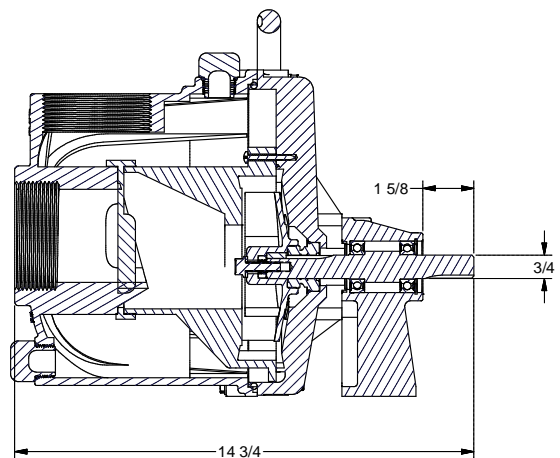
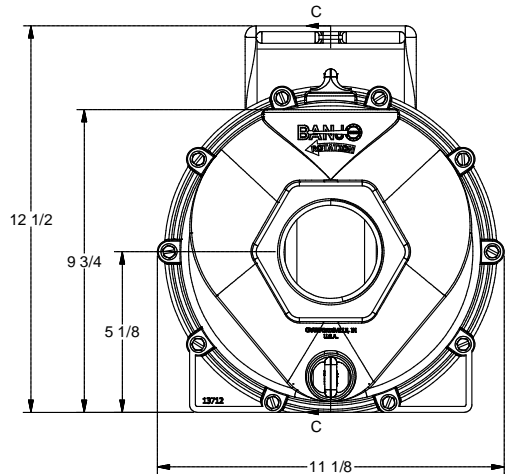


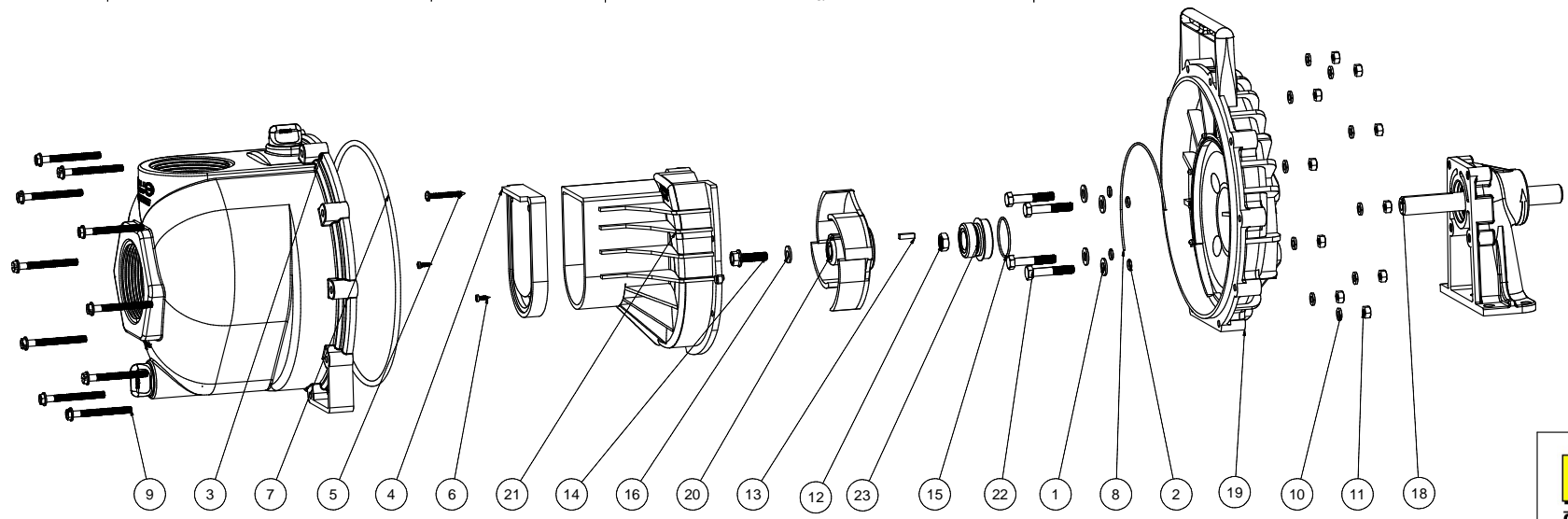
**Part Number : 300PB**



Item	Part No.	Description	Qty.
1	12713	Seal Assembly	1
2	12901	SS Rear Bracket Washer	4
3	12717	O-Ring for Screw Head	4
4	13712	Body Assembly	1
5	13702	Poly Pump Volute	1
6	13771	4 Vane Impeller	1
7	12705	Check Valve	1
8	12774VA	Impeller Bolt Gasket	1
9	12900	SS?Upper Volute?Screw	4
10	12725	SS?Volute Screws	2
11	12719A	Body O-Ring	1
12	12754	O-Ring Segment	1
13	12720	SS ?Body Screws	10
14	V07018	SS Lock Washers	10
15	V07019	SS Body Nuts	10
16	12902A	Impeller Key	1
17	13777	Prime/Drain Plug	2
18	13778	Prime/Drain Plug O-Ring	2
19	12703A	Poly Pump Rear Bracket	1
20	12710	O-Ring for Seal Assembly	1
21	12765A	SS?Impeller Bolt 5/16 x 24 x 1.12	1
22	12715A	SS Bracket Screws	4
23	15751	Rear Bracket Shim	1
24	12716	Poly Pump Slinger	1
25	12775A	Impeller Hex Nut	1
	12882A	Bearing Pedestal	1
	12099	7/16"-14 x 1.25" HHCS	1
	13000	4 Vane Impeller Repair Kit (Items 1, 3, 6-8, 11, 12, 18, 20, 24 & 12099)	1
	13999	Pump Seal/O-Ring Kit(Items 1, 3, 8, 11, 12, 18, 20, 24 & 12099)	1



Parts List			
ITEM	QTY	PART NUMBER	DESCRIPTION
1	4	12901	5/16" FLAT WASHER
2	4	12717	#11 O'RING
3	1	13712	3" POLY PUMP BODY ASSY.
4	1	12705	CHECKVALVE
5	1	12900	#10 X 1 1/2" PPH SMS
6	2	12725	#6 X 1/2" PPH SMS
7	1	12719A	#375 O'RING
8	1	12754	O'RING SEGMENT
9	10	12720	1/4-20 X 2 1/2" SL IND HWHS
10	10	V07018	1/4" LOCKWASHER
11	10	V07019	1/4-20 HEX NUT
12	1	12775A	7/16-14 HEX NUT
13	1	12902A	3/16" SQ. X 5/8" KEY
14	1	12765A	5/16-24 X 1 1/8" HFS
15	1	12710	#029 O'RING
16	1	12774VA	IMPELLER BOLT GASKET
17	1	12910	DECAL (NS)
18	1	12882A	BEARING PEDESTAL
19	1	12703A	POLY PUMP REAR BRACKET
20	1	13771	3" POLY PUMP TRIMMED IMPELLER
21	1	13702	3" POLY PUMP VOLUTE
22	4	12715A	5/16-24 X 1 3/4" HHCS
23	1	12733	MECH. SEAL ASSY.



**BANJO CORPORATION**  
 150 BANJO DRIVE, CRAWFORDSVILLE, IN 47933  
 WEB SITE: WWW.BANJOCORP.COM  
 E-MAIL: SALES1@BANJOCORP.COM

**BANJO CORPORATION**  
 DESCRIPTION  
 3" POLY PUMP W/ BEARING PEDESTAL  
 PART NUMBER  
 300PB

THIS DRAWING AND ALL INFORMATION CONTAINED THEREON ARE THE EXCLUSIVE PROPERTY OF BANJO CORPORATION.

UNLESS SPECIFICALLY NOTED, THIS DRAWING AND ITEMS SHOWN ON THIS DRAWING ARE SUBJECT TO CHANGE AT ANY TIME.