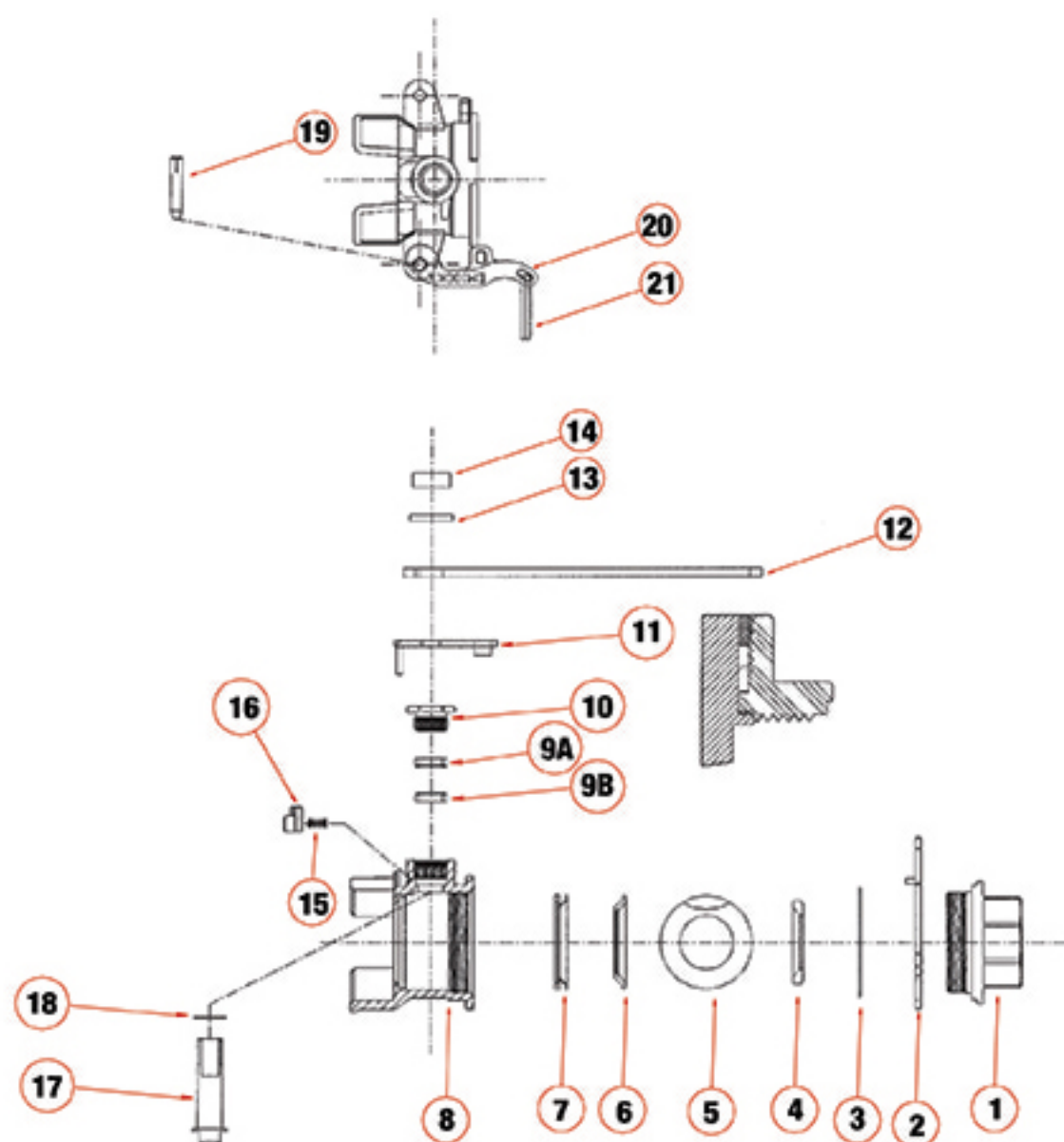
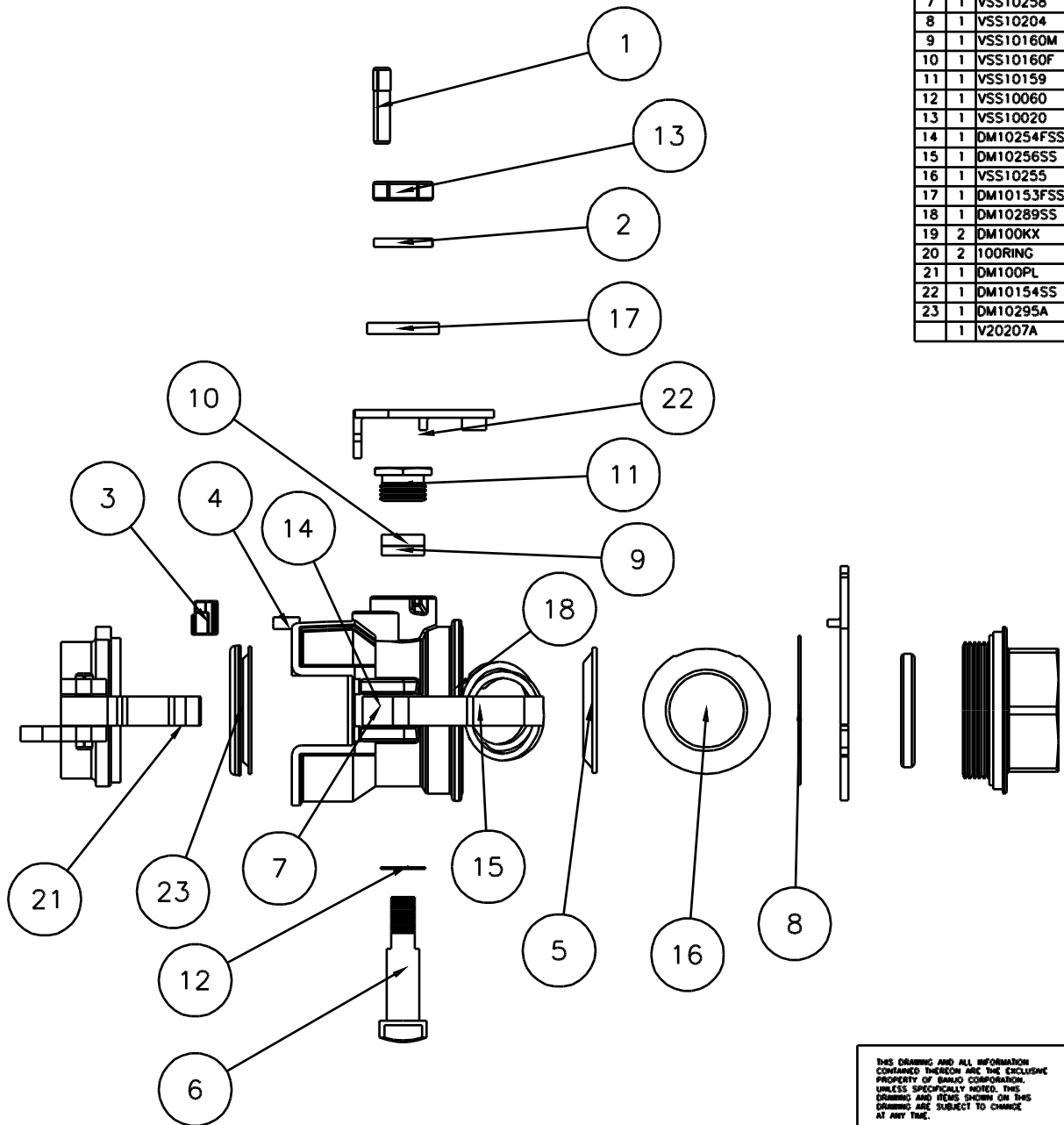
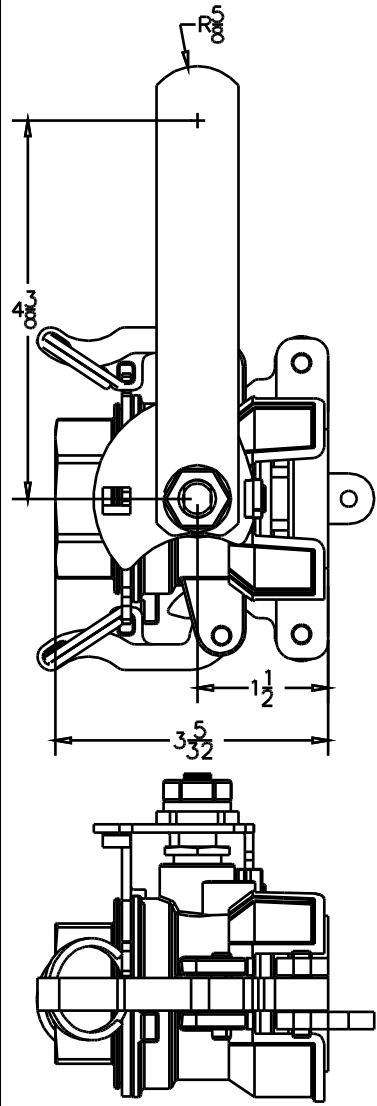


Part Number : DM100DSSE



Item	Part No.	Description	Qty.
19	100P	Pin	2
20	DM100K	Cam Arm	2
21	100RING	Cam Arm Ring	2
1	DM10256SS	1" NPT End Plate	1
2	DM10289SS	Locking Yoke	1
3	VSS10204*	Body Gasket	1
4	VSS10258*	Seat	1
5	VSS10255*	Ball	1
6	DM10258*	Seat	1
7	DM10295	EPDM Face Seal	2
8	DM10254FSS	Body	1
10	VSS10159	Gland Nut	1
11	DM10154SS	Interlock Cam	1
12	DM10153FSS	Female Handle	4
13	VSS10021	7/16" Lock Washer	4
14	VSS10020	7/16" - 20 Jam Nut	4
15	DM10281	Spring	1
16	DM10288SS	Handle Interlock	1
17	DM10151SS	Stem	1
18	VSS10060*	Thrust Bearing	1



Parts List			
Item	Qty	Part No.	Description
1	2	100P	1" Pin
2	1	VSS10021	7/16" Lock Washer
3	1	DM10288SS	Interlock Button
4	2	DM10281	Spring
5	1	DM10258	Seat - FKM
6	1	DM10151SS	Stem
7	1	VSS10258	Seat
8	1	VSS10204	Body Shim
9	1	VSS10160M	Male Stem Packing
10	1	VSS10160F	Female Stem Packing
11	1	VSS10159	Packing Nut
12	1	VSS10060	Stem Shim
13	1	VSS10020	7/16"-20 Jam Nut
14	1	DM10254FSS	1" Female Body
15	1	DM10256SS	1" Female Endplate
16	1	VSS10255	1" SS Ball
17	1	DM10153FSS	1" Female Handle
18	1	DM10289SS	1" Locking Yoke
19	2	DM100KX	1" DM Cam Arm
20	2	100RING	1" Ring
21	1	DM100PL	1" DM Plug
22	1	DM10154SS	1" Handle Interlock
23	1	DM10295A	1" EPDM Face Seal
1	1	V20207A	Lanyard

THIS DRAWING AND ALL INFORMATION CONTAINED THEREON ARE THE EXCLUSIVE PROPERTY OF BANJO CORPORATION. UNLESS SPECIFICALLY NOTED, THIS DRAWING AND REVISIONS SHOWN ON THIS DRAWING ARE SUBJECT TO CHANGE AT ANY TIME.

BANJO
LIQUID HANDLING PRODUCTS

BANJO CORPORATION
150 BANJO DR. • CRAWFORDSVILLE, IN 47933

PART NO. **DM100DSSE**

TITLE
1"SS Female Drymate w/ EPDM