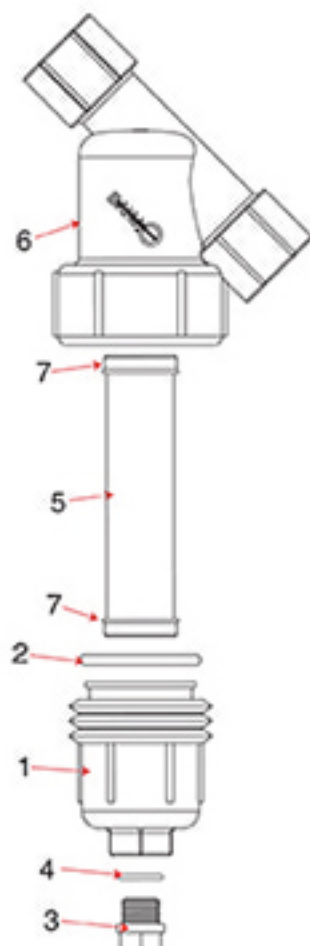


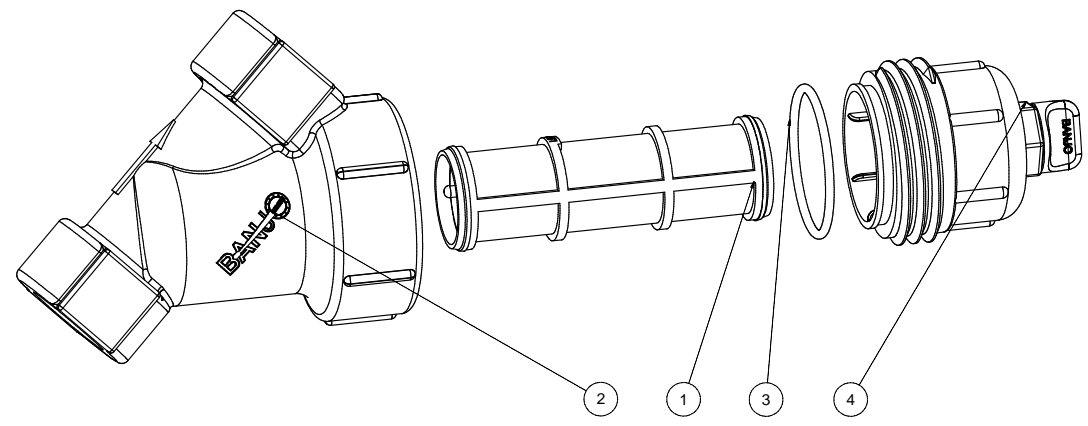
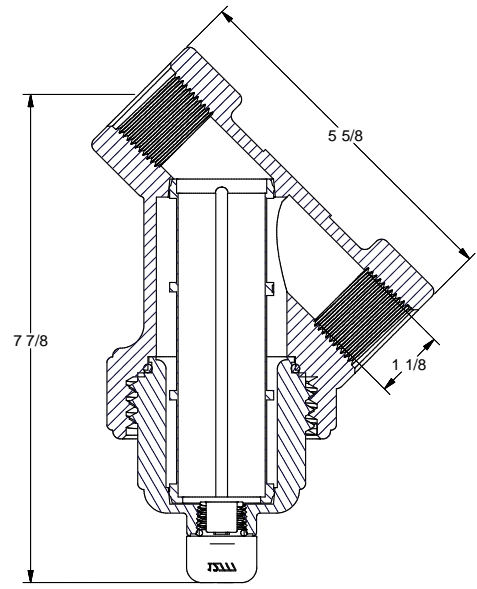
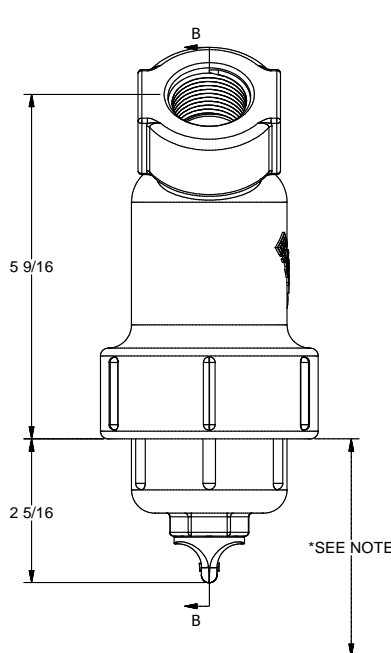
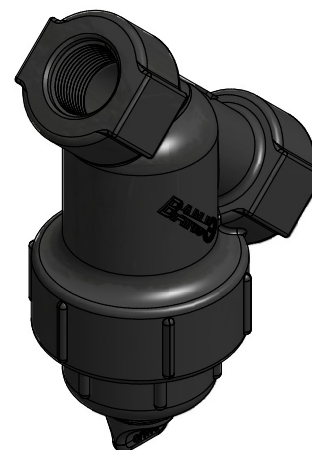
## Part Number : LS100-40



Item	Part No.	Description	Qty.
1	LS100-C1	1"-1¼" End Cap	1
2	LS100-G	1"-1¼" O-Ring	1
2	LS100-GV	1"-1¼" FKM (viton type) Gasket	1
3	12777	½" Drain Plug (Fits 1"-1¼")	1
4	UV15163	1"-1¼" EPDM O-Ring for Drain Plug	1
4	UV15163V	1"-1¼" FKM (viton type)?O-Ring for Drain Plug	1
5	LS140	1"-1¼" 40 Mesh Screen	1
6	LS100-B	1" Y Body	1
7	LS125G	1"-1¼" EPDM O-Ring	1

Parts List			
ITEM	QTY	PART NUMBER	DESCRIPTION
1	1	LS140	1" LS SCREEN - 40 MESH
2	1	LS100-B	1" LINE STRAINER BODY
3	1	LS100-G	#228 O-RING, EPDM
4	1	LS100-C1	LINE STRAINER CAP ASSY

\*NOTE:  
ADDITIONAL CLEARANCE REQ'D  
FOR SCREEN REMOVAL: 5 1/4"



\*SEE NOTE

**BANJO CORPORATION**

BANJO CORPORATION  
150 BANJO DRIVE, CRAWFORDSVILLE, IN 47933  
WEB SITE: WWW.BANJOCORP.COM  
E-MAIL: BANJOSALES@IDEXCORP.COM

DESCRIPTION  
**1" LINE STRAINER, 40 MESH**

PART NUMBER  
**LS100-40**

THIS DRAWING AND ALL INFORMATION CONTAINED THEREON ARE THE EXCLUSIVE PROPERTY OF BANJO CORPORATION.

UNLESS SPECIFICALLY NOTED, THIS DRAWING AND ITEMS SHOWN ON THIS DRAWING ARE SUBJECT TO CHANGE AT ANY TIME.