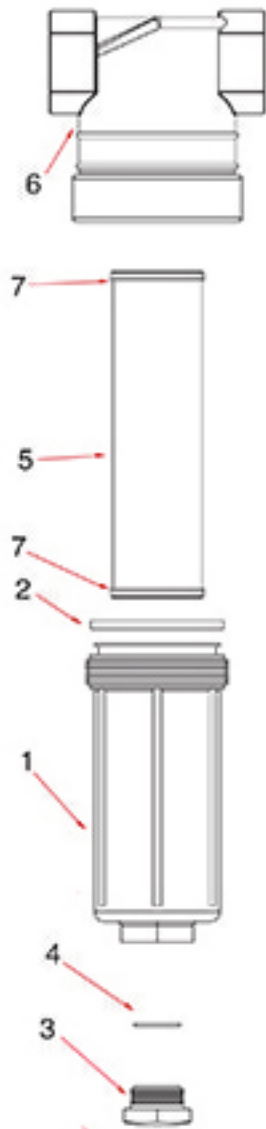
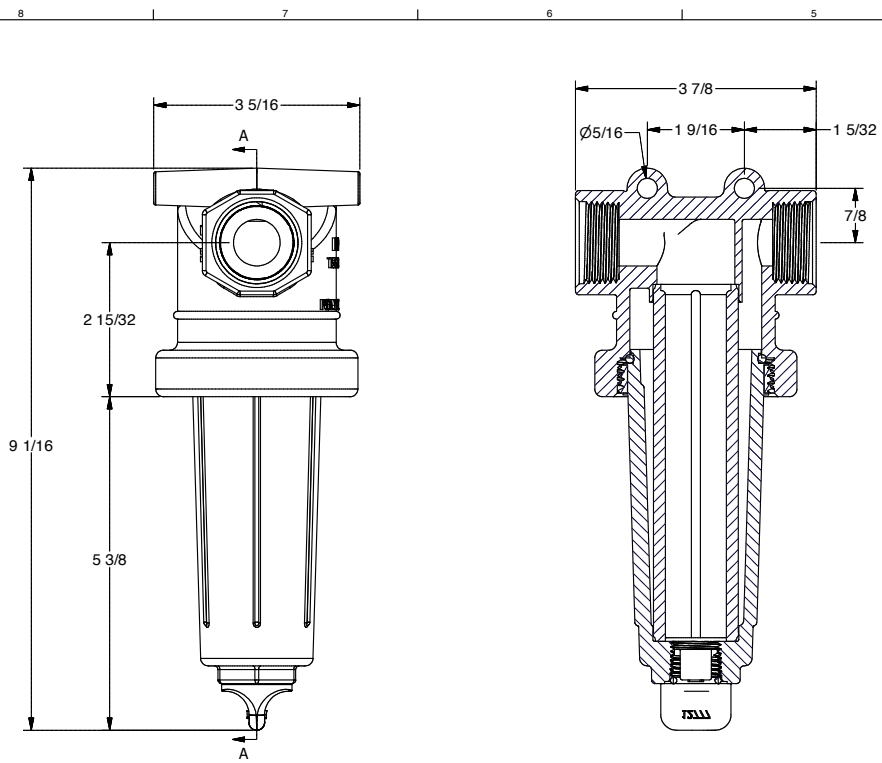


Part Number : LST100-50

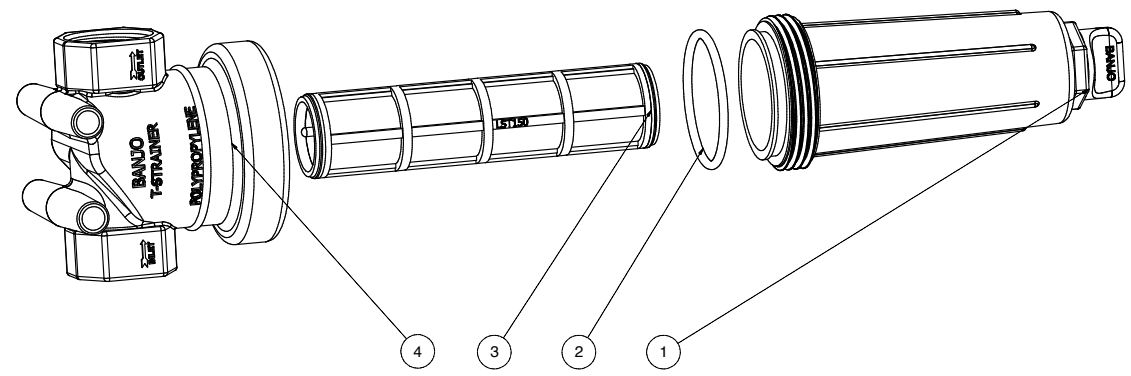


Item	Part No.	Description	Qty.
1	LST100-B	¾" & 1" Bowl	1
1	LST100BCB	¾" & 1" Clear Bowl	1
2	LST100-G	¾" & 1" EPDM Gasket	1
2	LST100-GV	¾" & 1" FKM (viton type) Gasket	1
3	12777	½" Clean Out Plug	1
4	UV15163	EPDM O-Ring for Clean Out Plug	1
4	UV15163V	FKM (viton type) O-Ring for Clean Out Plug	1
5	LST150	50 Mesh Screen	1
6	LST100-H	1" Strainer Head	1
7	13778	EPDM O-Ring for Screen	1



Parts List			
ITEM	QTY	PART NUMBER	DESCRIPTION
1	1	LST100-B	3/4" & 1" T-STRAINER BOWL
2	1	LST100-G	#226 O-RING
3	1	LST150	1" LST SCREEN - 50 MESH
4	1	LST100-H	1" T-STRAINER HEAD

*NOTE:
ADDITIONAL CLEARANCE REQ'D
FOR SCREEN REMOVAL: 5 3/4"



BANJO CORPORATION
150 BANJO DRIVE, CRAWFORDSVILLE, IN 47933
WEB SITE: WWW.BANJOCORP.COM
E-MAIL: BANJOSALES@IDEXCORP.COM

THIS DRAWING AND ALL INFORMATION CONTAINED THEREON ARE THE EXCLUSIVE PROPERTY OF BANJO CORPORATION.

UNLESS SPECIFICALLY NOTED, THIS DRAWING AND ITEMS SHOWN ON THIS DRAWING ARE SUBJECT TO CHANGE AT ANY TIME.

DESCRIPTION	1" T-STRAINER, 50 MESH
PART NUMBER	LST100-50