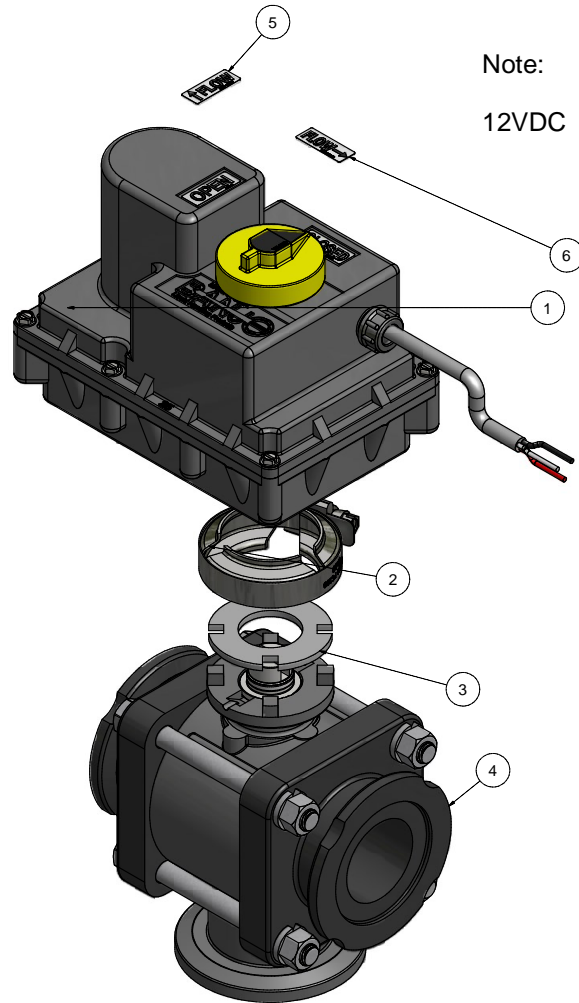


		Parts List	
ITEM	QTY	PART NUMBER	DESCRIPTION
1	1	EV4100	1 1/4 Sec. 3 Wire EV Actuator Assy
2	1	FC100	1" HI TORQUE CLAMP
3	1	MVE004	MVE Mounting Breather
4	1	MEV200BLXR1	2" BL Manifold Valve SubAssy
5	1	VEL1020	VE "BL" Sticker
6	1	VEL1021	VE "BL" Sticker

Note:
12VDC



THIS DRAWING AND ALL INFORMATION CONTAINED THEREON ARE THE EXCLUSIVE PROPERTY OF BANJO CORPORATION. UNLESS SPECIFICALLY NOTED, THIS DRAWING AND ITEMS SHOWN ON THIS DRAWING ARE SUBJECT TO CHANGE AT ANY TIME.

BANJO CORPORATION
 150 BANJO DRIVE, CRAWFORDSVILLE, IN 47933
 WEB SITE: WWW.BANJOCORP.COM
 E-MAIL: BANJOSALES@IDEXCORP.COM

2" BL Manifold Electric Valve 1 1/4 Sec. 3 Wire On/Off
 PART NUMBER MEV200BLCF