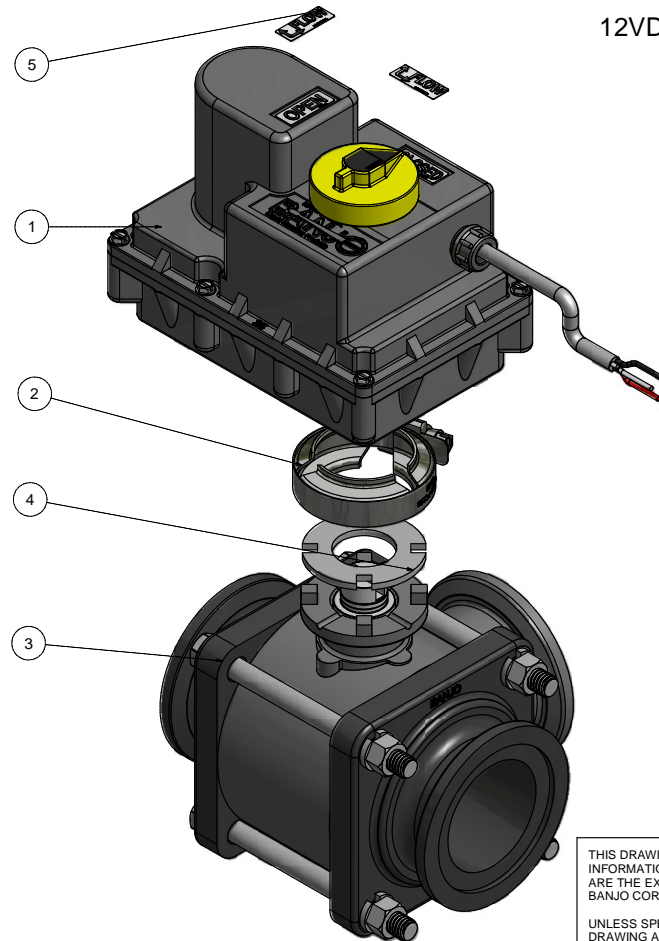


Parts List			
ITEM	QTY	PART NUMBER	DESCRIPTION
1	1	EV4100	1 1/4 Sec. 3 Wire EV Actuator Assy
2	1	FC100	1" HI TORQUE CLAMP
3	1	MEV220SLXR1	2" FP SL Manifold Valve Only
4	1	MVE004	MVE Mounting Breather
5	2	VEL1019	VE "SL" Sticker

Note:  
12VDC



BANJO CORPORATION  
150 BANJO DRIVE, CRAWFORDSVILLE, IN 47933  
WEB SITE: WWW.BANJOCORP.COM  
E-MAIL: BANJOSALES@IDEXCORP.COM

THIS DRAWING AND ALL INFORMATION CONTAINED THEREON ARE THE EXCLUSIVE PROPERTY OF BANJO CORPORATION.

UNLESS SPECIFICALLY NOTED, THIS DRAWING AND ITEMS SHOWN ON THIS DRAWING ARE SUBJECT TO CHANGE AT ANY TIME.

DESCRIPTION  
2" FP SL MNFLD Electric Valve 1 1/4 Sec. 3 Wire, On/Off  
PART NUMBER  
MEV220SLCF